



Product Change Notification

Current Date: 12-Jun-2024

TE Connectivity

Product Change Notification: PCN-24-211405

PCN Date: 12-JUN-24

Customer: TTI Inc (1305175)

Location: Maisach-gernlinden

Agreement: Agreement Unknown

TE would like to inform you of the following change(s) to the listed TE Connectivity Product. In case of any further questions about this change(s), please contact your TE Connectivity Sales Engineer. Affected part, drawing and/or specification numbers are listed on the attached sheet(s).

Product Description: (Text limited to 120 characters)
SINGLE MODULE BACKSHELL (STRAIGHT)

General Description of Changes
To improve delivery performance, TE is proposing to use a new design for the insert: the insert is no longer clamped in its cavity but is now floating. The insert is crimped in the housing to be captive. There is always a minimal gap between the insert and its housing.
Other attachments:
[BEFORE 787-8055-11 M](#)
[AFTER 787-8055-11 M](#)

Reason for Changes:
The conical insert may in some cases applies excessive stress in its housing cavity, causing cracks. Several parameters are involved for this adjustment: 1-External diameter of the insert 2-Housing geometry of the receptacle 3-Metallization thickness

PCN Attributes:	
Product Category:	Kind of Change:
Other Connector Accessories	Geometry
Change Feature:	Potential Customer Impact:
Special Design Feature	Product Requirement Improvement
Remarks:	
No effects on intermariability No impact for the mass	

Estimated Dates:	
Last Order Date (Obsolete Parts Only):	First Ship Date of Changed Items (Changed Parts Only):
23-SEP-2024	04-NOV-2024
Last Ship Date of Changed Items (Obsolete Parts Only):	Last Date for Mixed Shipments: (Changed Parts Only):
	No Mixed Shipments
Effectivity Date:	Date of First Samples:

Part Number(s) being Modified:

Part Number	Part Discontinued per PCN	Customer Drawing	Customer Part Number	Alias Part Number(s)	Substitute Part Number	Substitute Alias Part Number(s)	Description Of Difference
ZPF00000000107200	NO			787-8055-11M			



Product Change Notification

Current Date: 12-Jun-2024

TE Connectivity

Product Change Notification: PCN-24-211405

PCN Date: 12-JUN-24

Customer: TTI, Inc. (3057778)

Location: Maisach-gernlinden

Agreement: Agreement Unknown

TE would like to inform you of the following change(s) to the listed TE Connectivity Product. In case of any further questions about this change(s), please contact your TE Connectivity Sales Engineer. Affected part, drawing and/or specification numbers are listed on the attached sheet(s).

Product Description: (Text limited to 120 characters)
SINGLE MODULE BACKSHELL (STRAIGHT)

General Description of Changes
To improve delivery performance, TE is proposing to use a new design for the insert: the insert is no longer clamped in its cavity but is now floating. The insert is crimped in the housing to be captive. There is always a minimal gap between the insert and its housing.
Other attachments:
[BEFORE 787-8055-11 M](#)
[AFTER 787-8055-11 M](#)

Reason for Changes:
The conical insert may in some cases applies excessive stress in its housing cavity, causing cracks. Several parameters are involved for this adjustment: 1-External diameter of the insert 2-Housing geometry of the receptacle 3-Metallization thickness

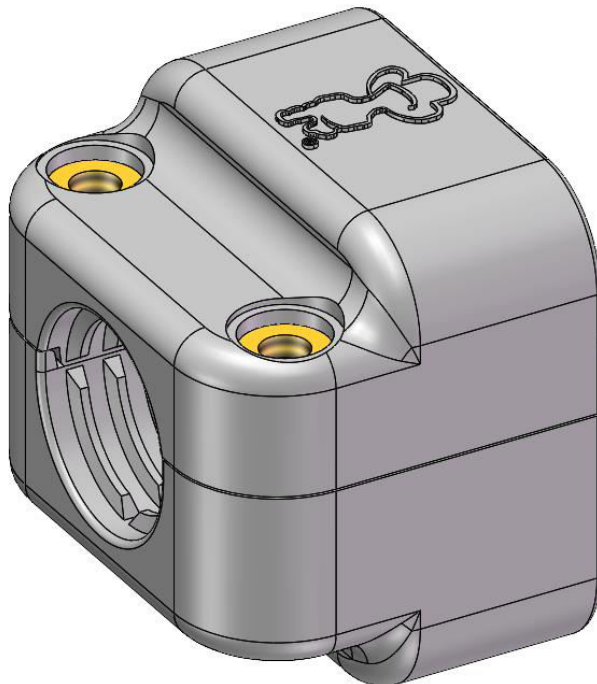
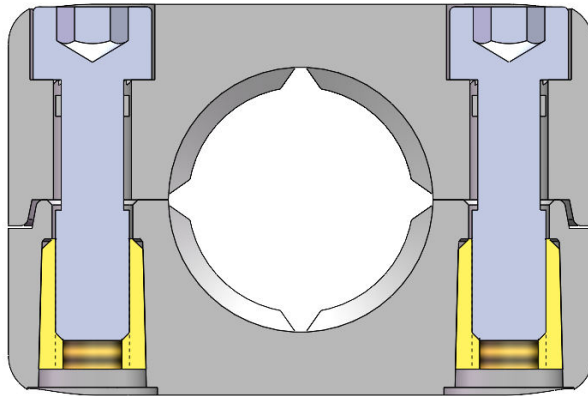
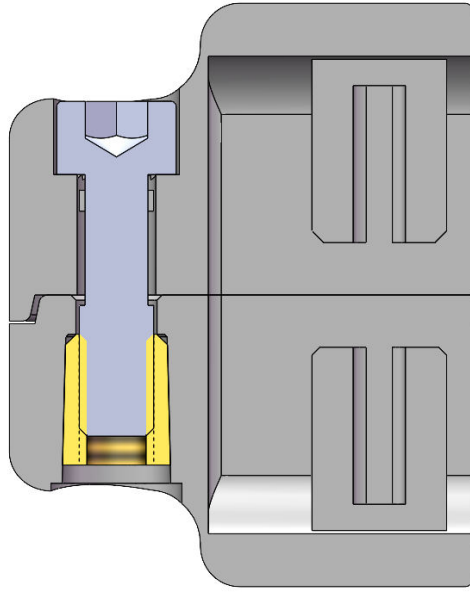
PCN Attributes:	
Product Category:	Kind of Change:
Other Connector Accessories	Geometry
Change Feature:	Potential Customer Impact:
Special Design Feature	Product Requirement Improvement
Remarks:	
No effects on intermariability No impact for the mass	

Estimated Dates:	
Last Order Date (Obsolete Parts Only):	First Ship Date of Changed Items (Changed Parts Only):
23-SEP-2024	04-NOV-2024
Last Ship Date of Changed Items (Obsolete Parts Only):	Last Date for Mixed Shipments: (Changed Parts Only):
	No Mixed Shipments
Effectivity Date:	Date of First Samples:

Part Number(s) being Modified:

Part Number	Part Discontinued per PCN	Customer Drawing	Customer Part Number	Alias Part Number(s)	Substitute Part Number	Substitute Alias Part Number(s)	Description Of Difference
ZPF00000000107200	NO			787-8055-11M			

BEFORE : 787-8055-11 M



AFTER : 787-8055-11 M

