



# Product Change Notification

Current Date: 13-Oct-2020

## TE Connectivity

Product Change Notification: E-20-013840

PCN Date: 12-OCT-20

Customer: TTI, Inc. ( 1305175 )

Location: Maisach-gernlinden

Agreement: Agreement Unknown

TE would like to inform you of the following change(s) to the listed TE Connectivity Product. In case of any further questions about this change(s), please contact your TE Connectivity Sales Engineer. Affected part, drawing and/or specification numbers are listed on the attached sheet(s).

### General Product Description:

DEUTSCH HDP20 Plug and Receptacle Assemblies.

### Description of Changes

The Industrial and Commercial Transportation business unit of TE Connectivity is updating customer drawings to match the current date code format for the part number(s) listed below. The date code will contain the year, month, day, and hour of production of the product. These PNs are TE proprietary designs, therefore considered catalog/general market product. PPAP and/or sample requests must be submitted within 14 days of PCN submission via ict-ppap-request@te.com or ePPAP system. Submission will not occur without request. If PPAP requested, disposition response is required within 14 days of submit date or it will be considered approved. Product drawing(s) is not affected.

#### Other attachments:

[DEUTSCH HDP20 Plug and Receptacle Assemblies](#)

### Reason for Changes:

Document Clarification. Document Clarification. Dear Customer, we hereby inform you of this change. This change is only to update customer drawings to reflect the current date code format that was announced in PCN E-19-015142. The change does not impact performance. IMPORTANT: The current and previous revisions of these parts can be used interchangeably in the field. The change(s) are being phased in gradually and previous revision can remain stocked until use. Shipments of both configurations may be mixed.

### Estimated Dates:

Last Order Date (Obsolete Parts Only):

First Date To Ship (Changed Parts Only):

Last Ship Date (Obsolete Parts Only):

Last Date for Mixed Shipments: (Changed Parts Only):

No Mixed Shipments

The documents listed below are being modified. Related parts that are not explicitly listed on this PCN are not being modified or discontinued as per the PCN. The Last Order Date, Last Ship Date, First Date to Ship Changed Parts and last date for Mixed Shipments apply only to parts explicitly listed on this PCN.

**Note: This PCN contains only document changes, these changes do not affect the form, fit or function of the parts referenced.**

### Customer Drawing(s) Being Modified:

Drawing Number	Related Part Number	Customer Part Number	Current Revision	New Revision
<a href="#">HDP24-18-6PX</a>	HDP24-18-6PN	DEUHDP24-18-6PN	A	
<a href="#">HDP24-18-XP/SX-L017</a>	HDP24-18-14SE-L017	DEUHDP24-18-14SE-L017	-	
<a href="#">HDP24-18-XXP/SX</a>	HDP24-18-14PE		C	
<a href="#">HDP26-18-6SX</a>	HDP26-18-6SN	DEUHDP26-18-6SN	A	
<a href="#">HDP26-18-XP/SX-L017</a>	HDP26-18-14PE-L017		-	
<a href="#">HDP26-18-XXP/SX</a>	HDP26-18-14PE	DEUHDP26-18-14PE	A	

PCN No.  
OEM / CAM informed  
Estimated First Date for samples

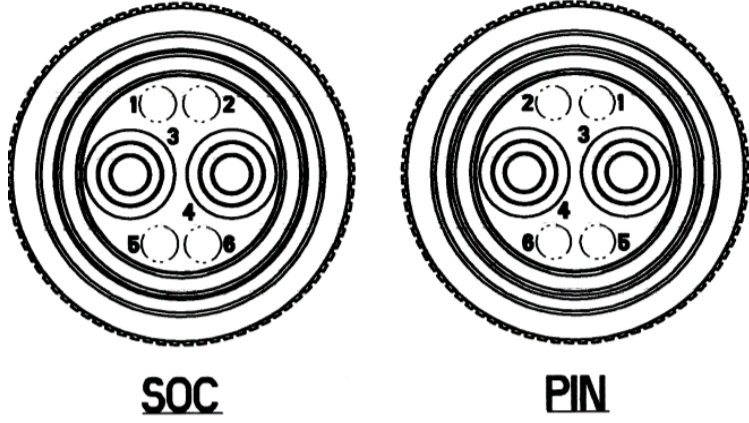
PCN :E-20-013840					
Not necessary					

Picture:

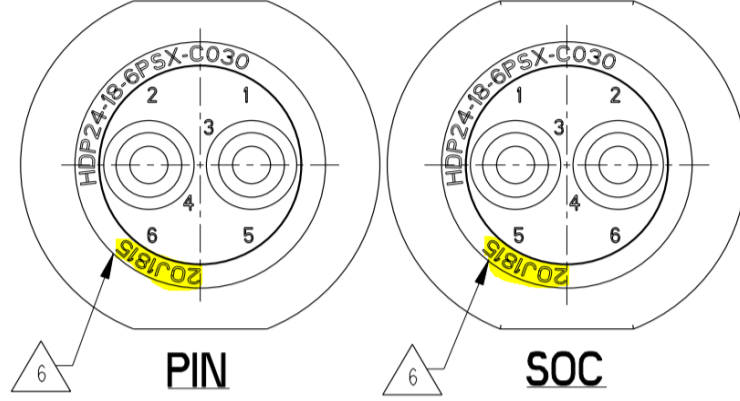
**General Product Description:**  
DEUTSCH HDP20 Plug and Receptacle Assemblies

**Added Updated Date Code in Assemblies.**

EXISTING REVISION



UPDATED REVISION



<input checked="" type="checkbox"/> Potential Impact for Customer	<input checked="" type="checkbox"/> Product Type	<input checked="" type="checkbox"/> Change Type	<input checked="" type="checkbox"/> Kind of Change	<input checked="" type="checkbox"/> Change Feature	Remark / Free text
<input checked="" type="checkbox"/> Revision adapted	<input checked="" type="checkbox"/> CONNECTOR HOUSINGS	<input checked="" type="checkbox"/> No Form, Fit, Function	<input checked="" type="checkbox"/> Drawing	<input checked="" type="checkbox"/> Revision Adjustment	Added Updated Date code