



Product Change Notification

Current Date: 30-Aug-2020

TE Connectivity

Product Change Notification: E-20-010814

PCN Date: 28-AUG-20

Customer: TTI Inc(0000139702)

Location: WORLDWIDE

Agreement: Agreement Unknown

TE would like to inform you of the following change(s) to the listed TE Connectivity Product. In case of any further questions about this change(s), please contact your TE Connectivity Sales Engineer. Affected part, drawing and/or specification numbers are listed on the attached sheet(s).

General Product Description:

AMP MCP 2.8 SOCKET HSG., 21POS., SEALED

Description of Changes

This change is considered by TE Connectivity as a Lever and Slide correction to improve handling in field. No further impact by customer. .

Other attachments:

[ECR-Form 20-010814](#)

Reason for Changes:

Customer Request.

Estimated Dates:

Last Order Date (Obsolete Parts Only):

First Date To Ship (Changed Parts Only):

12-MAR-2021

Last Ship Date (Obsolete Parts Only):

Last Date for Mixed Shipments: (Changed Parts Only):

21-MAY-2021

Part Number(s) being Modified:

Part Number	Part Discontinued per PCN	Customer Drawing	Customer Part Number	Alias Part Number(s)	Substitute Part Number	Substitute Alias Part Number(s)	Description Of Difference
1-1355222-1	NO						
1-1534127-1	NO						
2-1534127-1	NO						
3-1534127-1	NO						
4-1534127-1	NO						

The documents listed below are being modified. Related parts that are not explicitly listed on this PCN are not being modified or discontinued as per the PCN. The Last Order Date, Last Ship Date, First Date to Ship Changed Parts and last date for Mixed Shipments apply only to parts explicitly listed on this PCN.

Customer Drawing(s) Being Modified:

Drawing Number	Related Part Number	Customer Part Number	Current Revision	New Revision
1534127	1-1534127-1, 4-1534127-1	TYC1-1534127-1	E	

Customer: TTI, Inc. (1305175)

Location: Maisach-gernlinden

Agreement Number: TTI001

Part Number(s) being Modified:

Part Number	Part Discontinued per PCN	Customer Drawing	Customer Part Number	Alias Part Number(s)	Substitute Part Number	Substitute Alias Part Number(s)	Description Of Difference
1-1355222-1	NO		TYC1-1355222-1				
1-1534127-1	NO		TYC1-1534127-1				
2-1534127-1	NO						
3-1534127-1	NO						
4-1534127-1	NO						

The documents listed below are being modified. Related parts that are not explicitly listed on this PCN are not being modified or discontinued as per the PCN. The Last Order Date, Last Ship Date, First Date to Ship Changed Parts and last date for Mixed Shipments apply only to parts explicitly listed on this PCN.

Customer Drawing(s) Being Modified:

Drawing Number	Related Part Number	Customer Part Number	Current Revision	New Revision
1534127	1-1534127-1, 4-1534127-1	TYC1-1534127-1	E	

Customer: TTI, Inc. (1305175)

Location: Maisach-gernlinden

Agreement Number: Agreement Unknown

Part Number(s) being Modified:

Part Number	Part Discontinued per PCN	Customer Drawing	Customer Part Number	Alias Part Number(s)	Substitute Part Number	Substitute Alias Part Number(s)	Description Of Difference
1-1355222-1	NO		TYC1-1355222-1				
1-1534127-1	NO		TYC1-1534127-1				
2-1534127-1	NO						
3-1534127-1	NO						
4-1534127-1	NO						

The documents listed below are being modified. Related parts that are not explicitly listed on this PCN are not being modified or discontinued as per the PCN. The Last Order Date, Last Ship Date, First Date to Ship Changed Parts and last date for Mixed Shipments apply only to parts explicitly listed on this PCN.

Customer Drawing(s) Being Modified:

Drawing Number	Related Part Number	Customer Part Number	Current Revision	New Revision
1534127	1-1534127-1, 4-1534127-1	TYC1-1534127-1	E	

Customer: TTI Inc (1281288)

Location: Fort Worth

Agreement Number: Agreement Unknown

Part Number(s) being Modified:

Part Number	Part Discontinued per PCN	Customer Drawing	Customer Part Number	Alias Part Number(s)	Substitute Part Number	Substitute Alias Part Number(s)	Description Of Difference
1-1534127-1	NO						

The documents listed below are being modified. Related parts that are not explicitly listed on this PCN are not being modified or discontinued as per the PCN. The Last Order Date, Last Ship Date, First Date to Ship Changed Parts and last date for Mixed Shipments apply only to parts explicitly listed on this PCN.

Customer Drawing(s) Being Modified:

Drawing Number	Related Part Number	Customer Part Number	Current Revision	New Revision
1534127	1-1534127-1		E	

Customer: TTI Inc (168830)

Location: Fort Worth

Agreement Number: Agreement Unknown

Part Number(s) being Modified:

Part Number	Part Discontinued per PCN	Customer Drawing	Customer Part Number	Alias Part Number(s)	Substitute Part Number	Substitute Alias Part Number(s)	Description Of Difference
1-1534127-1	NO						

Customer: TTI, Inc. (3057778)

Location: Maisach-gernlinden

Agreement Number: Agreement Unknown

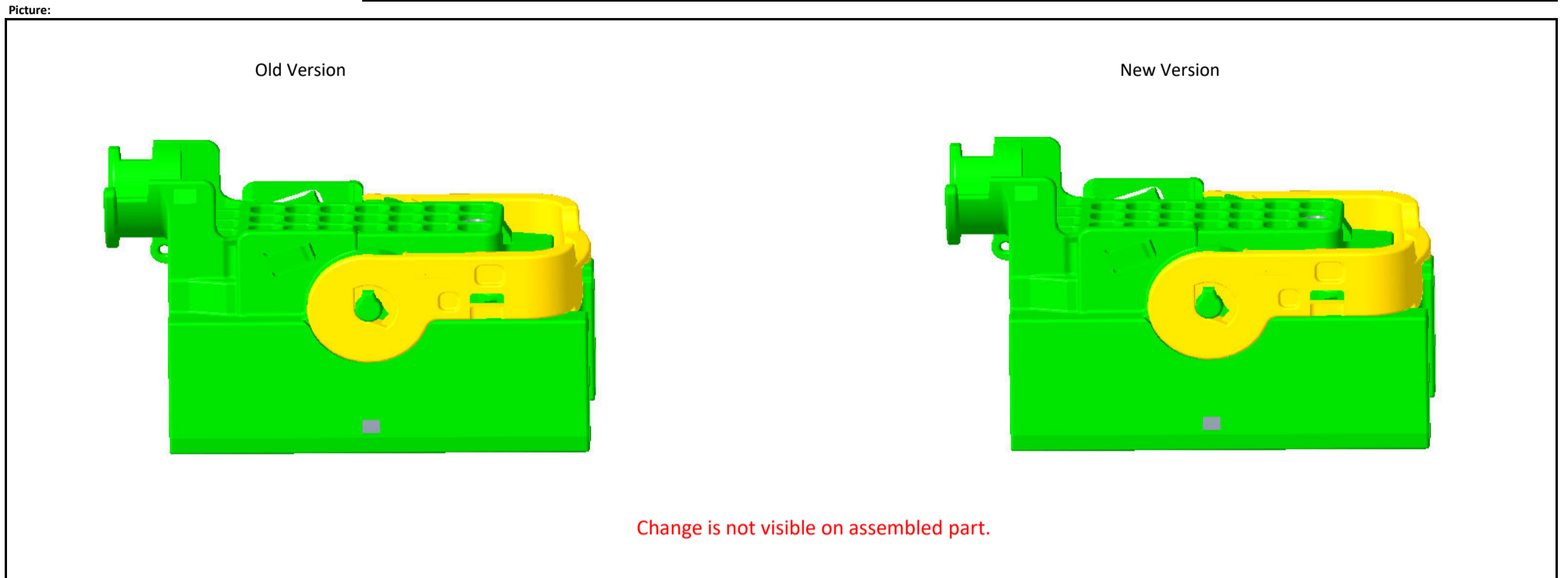
Part Number(s) being Modified:

Part Number	Part Discontinued per PCN	Customer Drawing	Customer Part Number	Alias Part Number(s)	Substitute Part Number	Substitute Alias Part Number(s)	Description Of Difference
1-1355222-1	NO		TYC1-1355222-1				
1-1534127-1	NO		TYC1-1534127-1				
2-1534127-1	NO						
3-1534127-1	NO						

PCN Description of Eng. Changes

PCN No.
OEM / CAM informed
Estimated First Date for samples

E-20-010814						
Yes						
12.03.2020						



<input checked="" type="checkbox"/>	Potential Impact for Customer	<input checked="" type="checkbox"/>	Product Type	<input checked="" type="checkbox"/>	Change Type	<input checked="" type="checkbox"/>	Kind of Change	<input checked="" type="checkbox"/>	Change Feature	Remark / Free text
<input checked="" type="checkbox"/>	No Customer Impact	<input checked="" type="checkbox"/>	RF CONNECTOR	<input checked="" type="checkbox"/>	Form, Fit, Function	<input checked="" type="checkbox"/>	Geometry	<input checked="" type="checkbox"/>	Special Design Feature	Gearing of lever and slide improved for better handling performance. Change is not visible on assembled part.