



# Product Change Notification

Current Date: 05-Aug-2020

## TE Connectivity

**Product Change Notification:** E-20-010671

**PCN Date:** 04-AUG-20

**Customer:** TTI Inc(0000139702)

**Location:** WORLDWIDE

**Agreement:** Agreement Unknown

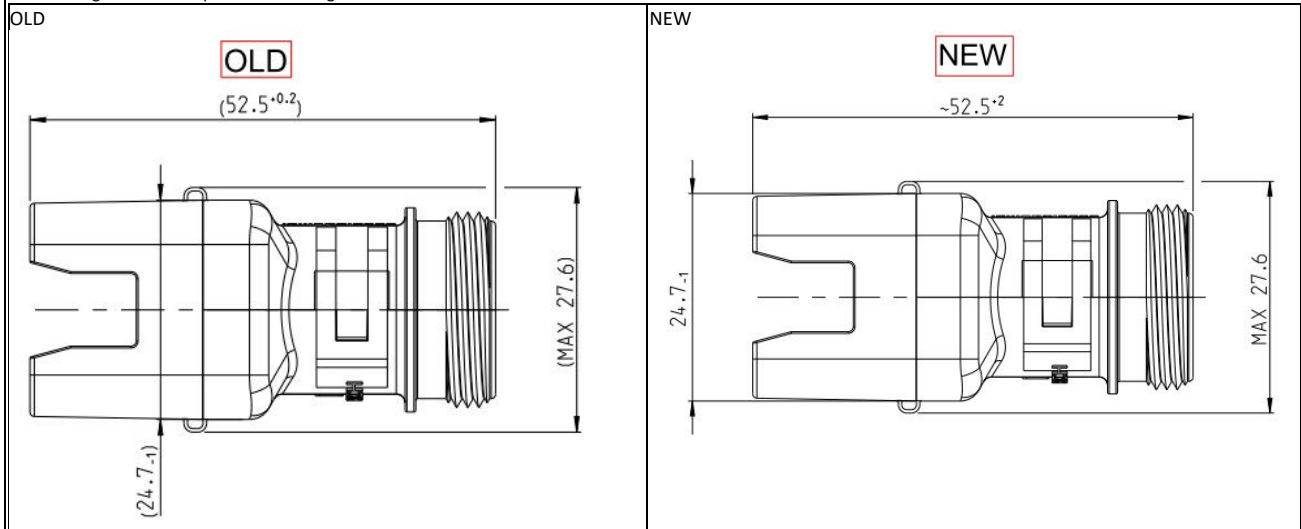
TE would like to inform you of the following change(s) to the listed TE Connectivity Product. In case of any further questions about this change(s), please contact your TE Connectivity Sales Engineer. Affected part, drawing and/or specification numbers are listed on the attached sheet(s).

**General Product Description:**

COVER

**Description of Changes**

Minor change. Tolerance update for the length of backshell in closed condition.



**Other attachments:**

[PCN sheet for cover](#)

**Reason for Changes:**

Document Clarification. Tolerance is updated as per OLD Deutsch reference drawing as the tolerance was too small to maintain with respect to the base dimension.

**Estimated Dates:**

<b>Last Order Date</b> (Obsolete Parts Only):	<b>First Date To Ship</b> (Changed Parts Only):
<b>Last Ship Date</b> (Obsolete Parts Only):	<b>Last Date for Mixed Shipments:</b> (Changed Parts Only):
	No Mixed Shipments

The documents listed below are being modified. Related parts that are not explicitly listed on this PCN are not being modified or discontinued as per the PCN. The Last Order Date, Last Ship Date, First Date to Ship Changed Parts and last date for Mixed Shipments apply only to parts explicitly listed on this PCN.

**Note: This PCN contains only document changes, these changes do not affect the form, fit or function of the parts referenced.**

**Customer Drawing(s) Being Modified:**

Drawing Number	Related Part Number	Customer Part Number	Current Revision	New Revision
<a href="#">1011-243-0805</a>	1011-243-0805		B2	

**Customer:** TTI, Inc. ( 1305175 )

**Location:** Maisach-germlinden

**Agreement Number:** Agreement Unknown

The documents listed below are being modified. Related parts that are not explicitly listed on this PCN are not being modified or discontinued as per the PCN. The Last Order Date, Last Ship Date, First Date to Ship Changed Parts and last date for Mixed Shipments apply only to parts explicitly listed on this PCN.

**Customer Drawing(s) Being Modified:**

Drawing Number	Related Part Number	Customer Part Number	Current Revision	New Revision
<a href="#">1011-243-0805</a>	1011-243-0805		B2	

Customer: TTI Inc ( 3164508 )

Location: Fort Worth

Agreement Number: Agreement Unknown

The documents listed below are being modified. Related parts that are not explicitly listed on this PCN are not being modified or discontinued as per the PCN. The Last Order Date, Last Ship Date, First Date to Ship Changed Parts and last date for Mixed Shipments apply only to parts explicitly listed on this PCN.

Customer Drawing(s) Being Modified:

Drawing Number	Related Part Number	Customer Part Number	Current Revision	New Revision
<a href="#">1011-243-0805</a>	1011-243-0805		B2	

Customer: TTI, Inc. ( 1305175 )

Location: Maisach-gernlinden

Agreement Number: Agreement Unknown

The documents listed below are being modified. Related parts that are not explicitly listed on this PCN are not being modified or discontinued as per the PCN. The Last Order Date, Last Ship Date, First Date to Ship Changed Parts and last date for Mixed Shipments apply only to parts explicitly listed on this PCN.

Customer Drawing(s) Being Modified:

Drawing Number	Related Part Number	Customer Part Number	Current Revision	New Revision
<a href="#">1011-243-0805</a>	1011-243-0805		B2	

Customer: TTI ( 556264 )

Location: Fort Worth

Agreement Number: Agreement Unknown

The documents listed below are being modified. Related parts that are not explicitly listed on this PCN are not being modified or discontinued as per the PCN. The Last Order Date, Last Ship Date, First Date to Ship Changed Parts and last date for Mixed Shipments apply only to parts explicitly listed on this PCN.

Customer Drawing(s) Being Modified:

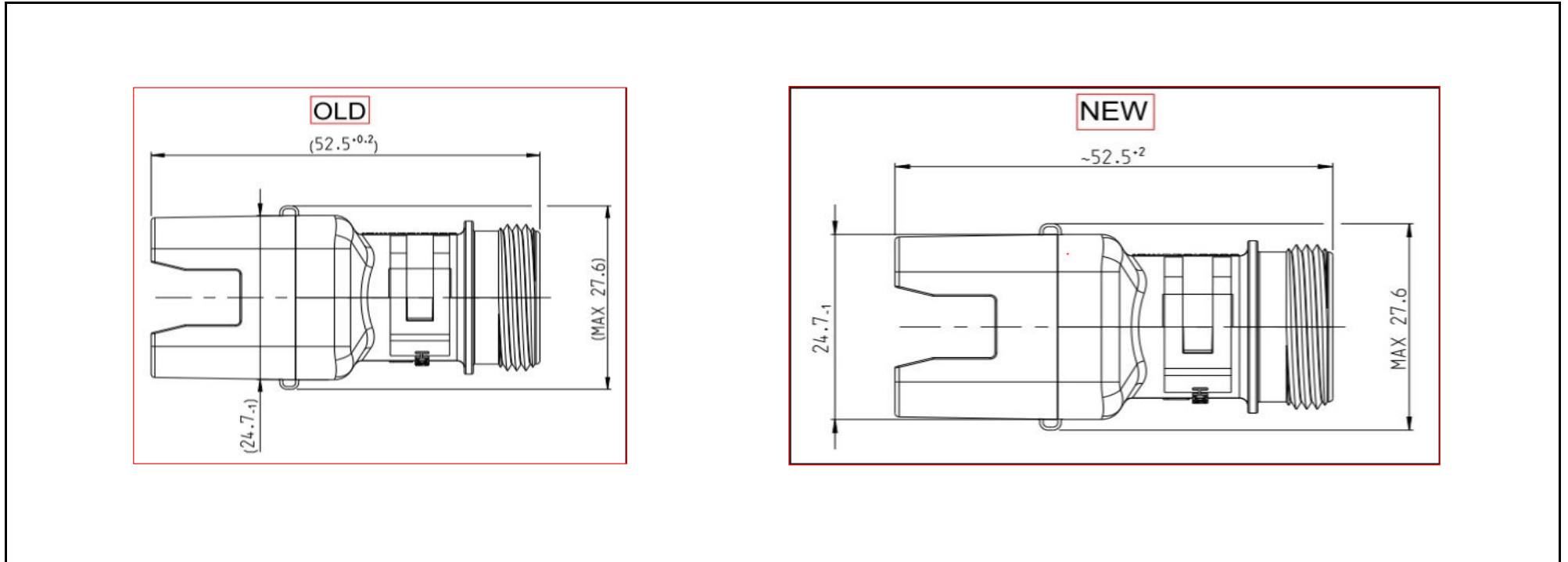
Drawing Number	Related Part Number	Customer Part Number	Current Revision	New Revision
<a href="#">1011-243-0805</a>	1011-243-0805		B2	

### PCN Description of Eng. Changes

PCN No.  
OEM / CAM informed  
Estimated First Date for samples

PCN :E-20-010671					
Not necessary					

Picture:



x	Potential Impact for Customer	x	Product Type	x	Change Type	x	Kind of Change	x	Change Feature	Remark / Free text
x	Revision adapted	x	CAPS/COVERS AND COVER ASSEMBLIES	x	No Form, Fit, Function	x	Drawing	x	Drawing Change	Tolerance changed in closed condition