



Product Change Notification

Current Date: 14-Nov-2019

TE Connectivity

Product Change Notification: E-19-017631

PCN Date: 13-NOV-19

Customer: TTI Inc(0000139702)

Location: WORLDWIDE

Agreement: Agreement Unknown

TE would like to inform you of the following change(s) to the listed TE Connectivity Product. In case of any further questions about this change(s), please contact your TE Connectivity Sales Engineer. Affected part, drawing and/or specification numbers are listed on the attached sheet(s).

General Product Description:
AMP SUPERSEAL 1,5 SRS. PLUG ASS'Y

Description of Changes
1745096,1745083 and 1745085 drawings are replaced by 282080,282087 and 282090 with all details.
Other attachments:
Markup-1
ECR form
Markup-2

Reason for Changes:
Product Improvement.
Estimated Dates:

Last Order Date (Obsolete Parts Only):	First Date To Ship (Changed Parts Only):
Last Ship Date (Obsolete Parts Only):	Last Date for Mixed Shipments: (Changed Parts Only):
	No Mixed Shipments

The documents listed below are being modified. Related parts that are not explicitly listed on this PCN are not being modified or discontinued as per the PCN. The Last Order Date, Last Ship Date, First Date to Ship Changed Parts and last date for Mixed Shipments apply only to parts explicitly listed on this PCN.

Note: This PCN contains only document changes, these changes do not affect the form, fit or function of the parts referenced.

Customer Drawing(s) Being Modified:

Drawing Number	Related Part Number	Customer Part Number	Current Revision	New Revision
282080	282080-2, 282080-1	TYC282080-1	D3	
282087	282087-1	TYC282087-1	C4	
282090	282090-1	TYC282090-1	E2	

Customer: TTI, Inc. (1305175)

Location: Maisach-gernlinden

Agreement Number: TTI001

The documents listed below are being modified. Related parts that are not explicitly listed on this PCN are not being modified or discontinued as per the PCN. The Last Order Date, Last Ship Date, First Date to Ship Changed Parts and last date for Mixed Shipments apply only to parts explicitly listed on this PCN.

Customer Drawing(s) Being Modified:

Drawing Number	Related Part Number	Customer Part Number	Current Revision	New Revision
282080	282080-1	TYC282080-1	D3	
282087	282087-1	TYC282087-1	C4	
282090	282090-1	TYC282090-1	E2	

Customer: TTI Inc (3164508)

Location: Fort Worth

Agreement Number: Agreement Unknown

The documents listed below are being modified. Related parts that are not explicitly listed on this PCN are not being modified or discontinued as per the PCN. The Last Order Date, Last Ship Date, First Date to Ship Changed Parts and last date for Mixed Shipments apply only to parts explicitly listed on this PCN.

Customer Drawing(s) Being Modified:

Drawing Number	Related Part Number	Customer Part Number	Current Revision	New Revision
282080	282080-1		D3	
282087	282087-1		C4	
282090	282090-1		E2	

Customer: TTI Inc (1281288)

Location: Fort Worth

Agreement Number: Agreement Unknown

The documents listed below are being modified. Related parts that are not explicitly listed on this PCN are not being modified or discontinued as per the PCN. The Last Order Date, Last Ship Date, First Date to Ship Changed Parts and last date for Mixed Shipments apply only to parts explicitly listed on this PCN.

Customer Drawing(s) Being Modified:

Drawing Number	Related Part Number	Customer Part Number	Current Revision	New Revision
282080	282080-1		D3	
282087	282087-1		C4	
282090	282090-1		E2	

Customer: Shanghai TTI EElectronics Co Ltd (1405773)

Location: Shanghai

Agreement Number: Agreement Unknown

The documents listed below are being modified. Related parts that are not explicitly listed on this PCN are not being modified or discontinued as per the PCN. The Last Order Date, Last Ship Date, First Date to Ship Changed Parts and last date for Mixed Shipments apply only to parts explicitly listed on this PCN.

Customer Drawing(s) Being Modified:

Drawing Number	Related Part Number	Customer Part Number	Current Revision	New Revision
282080	282080-2		D3	

Customer: TTI Electronics Asia Pte Ltd. (2771300)

Location: Singapore

Agreement Number: Agreement Unknown

The documents listed below are being modified. Related parts that are not explicitly listed on this PCN are not being modified or discontinued as per the PCN. The Last Order Date, Last Ship Date, First Date to Ship Changed Parts and last date for Mixed Shipments apply only to parts explicitly listed on this PCN.

Customer Drawing(s) Being Modified:

Drawing Number	Related Part Number	Customer Part Number	Current Revision	New Revision
282080	282080-1		D3	
282087	282087-1		C4	
282090	282090-1		E2	

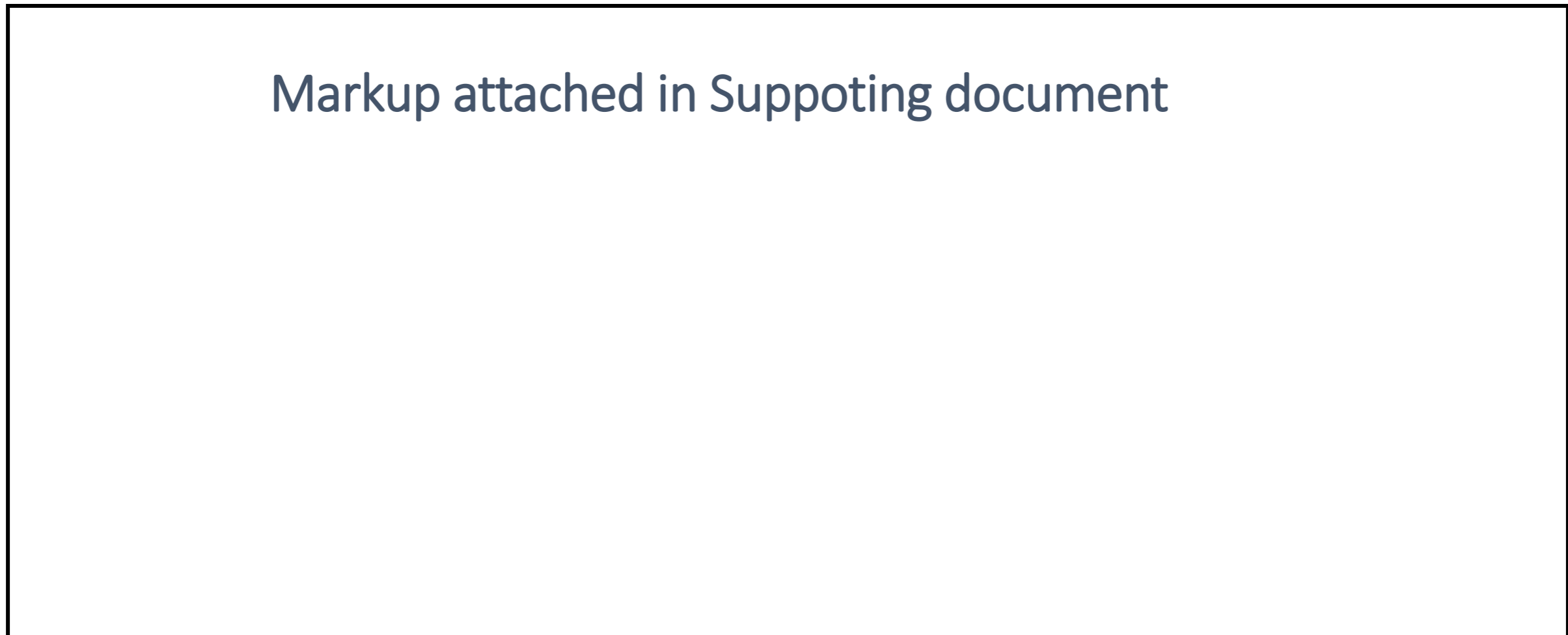


PCN No.
 PCN Category
 Category of change
 OEM / CAM informed
 Part Number
 New Revision
 Drawing Number
New Revision
 General Product Description
 Estimated First Date for samples
 Estimated First Date to Ship (Changed part only)
 Estimated Last Date of Mixed Shipment
 Estimated Last Order Date (Obsolete Parts Only)
 Estimated Last Ship Date (Obsolete Parts Only)

E-19-017631							
Process							
Internal Requirement							
Yes							
NA							
NA							
1745096	1745083	1745085	282080	282087	282090		
A2	A3	A2	D4	C5	E3		
AMP SUPERSEAL 1,5 SRS. PLUG ASS'Y							
NA							
NA							
NA							
NA							
NA							

The information under column - Potential Impact for customer, is ment as a non binding guideline only.
 The customer has to do its own evaluation of the potential impact the change described in the Product Change Notification will have for him.

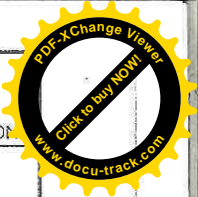
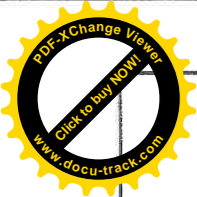
Picture:



Markup attached in Suppoting document

--

Potential Impact for Customer		Product Type		Change Type		Kind of Change		Change Feature	Remark / Free text
	x	Connector	x	Drawing	x	Drawing Change	x	new partnumbers added	1745096, 1745083 and 1745085 drawings are replaced by 282080,2 82087 and 282090 with all details.

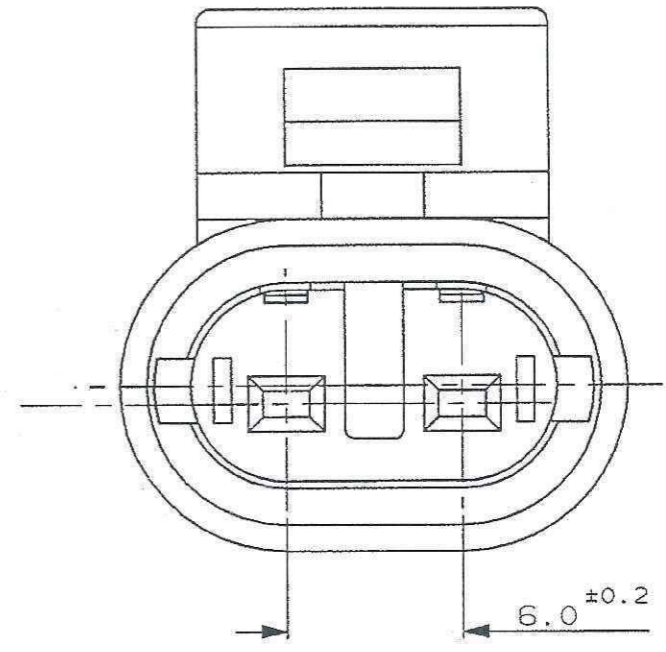
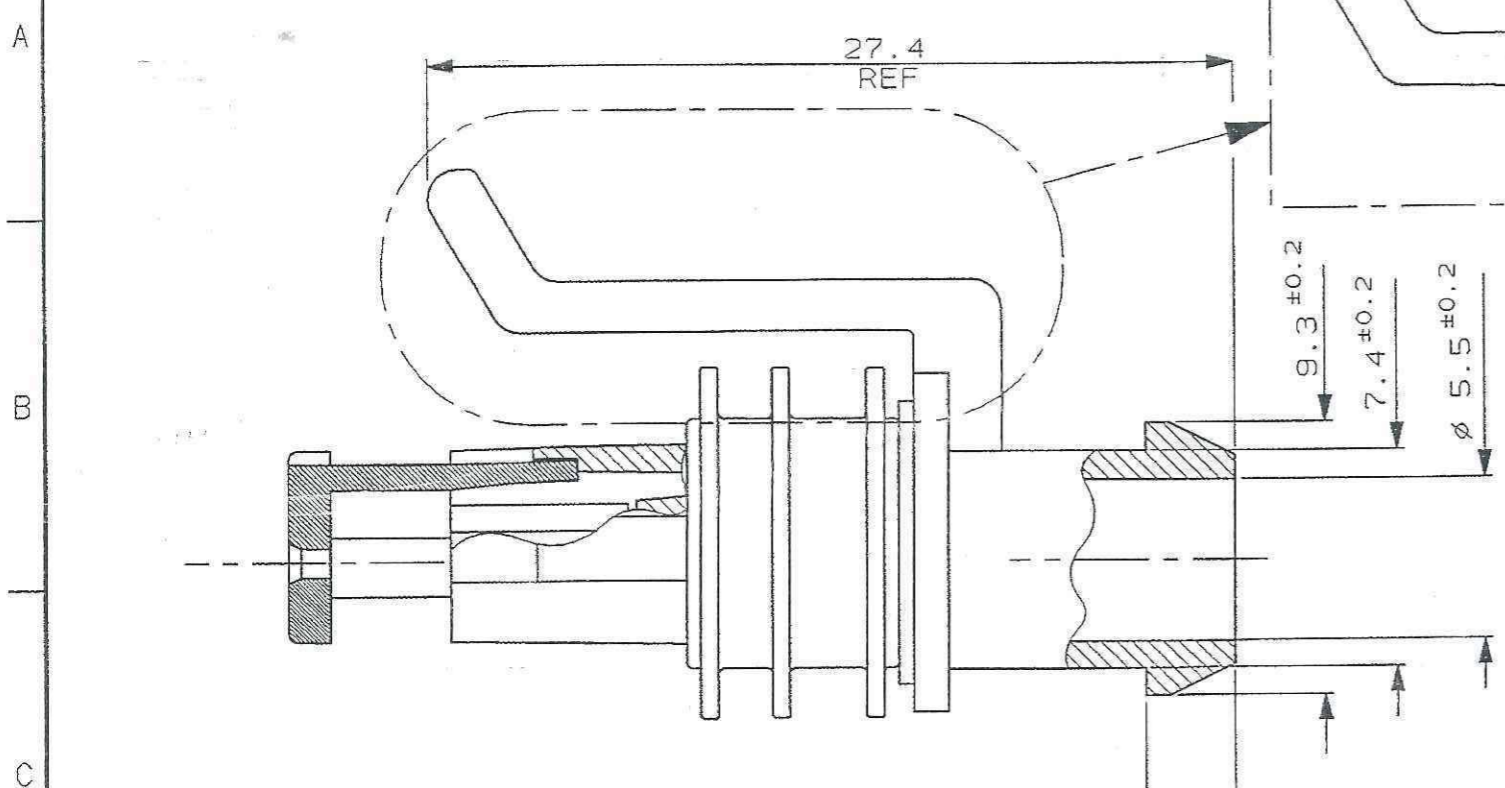
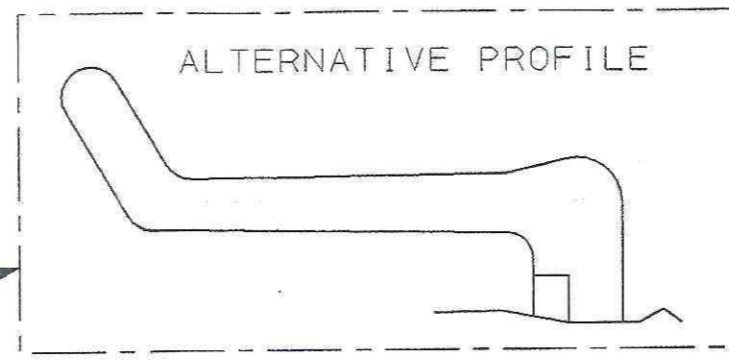


SCALA NON IMPEGNATIVA
(DO NOT SCALE)
DIMENSIONI IN mm
(DIMENSIONS IN mm)

METRIC

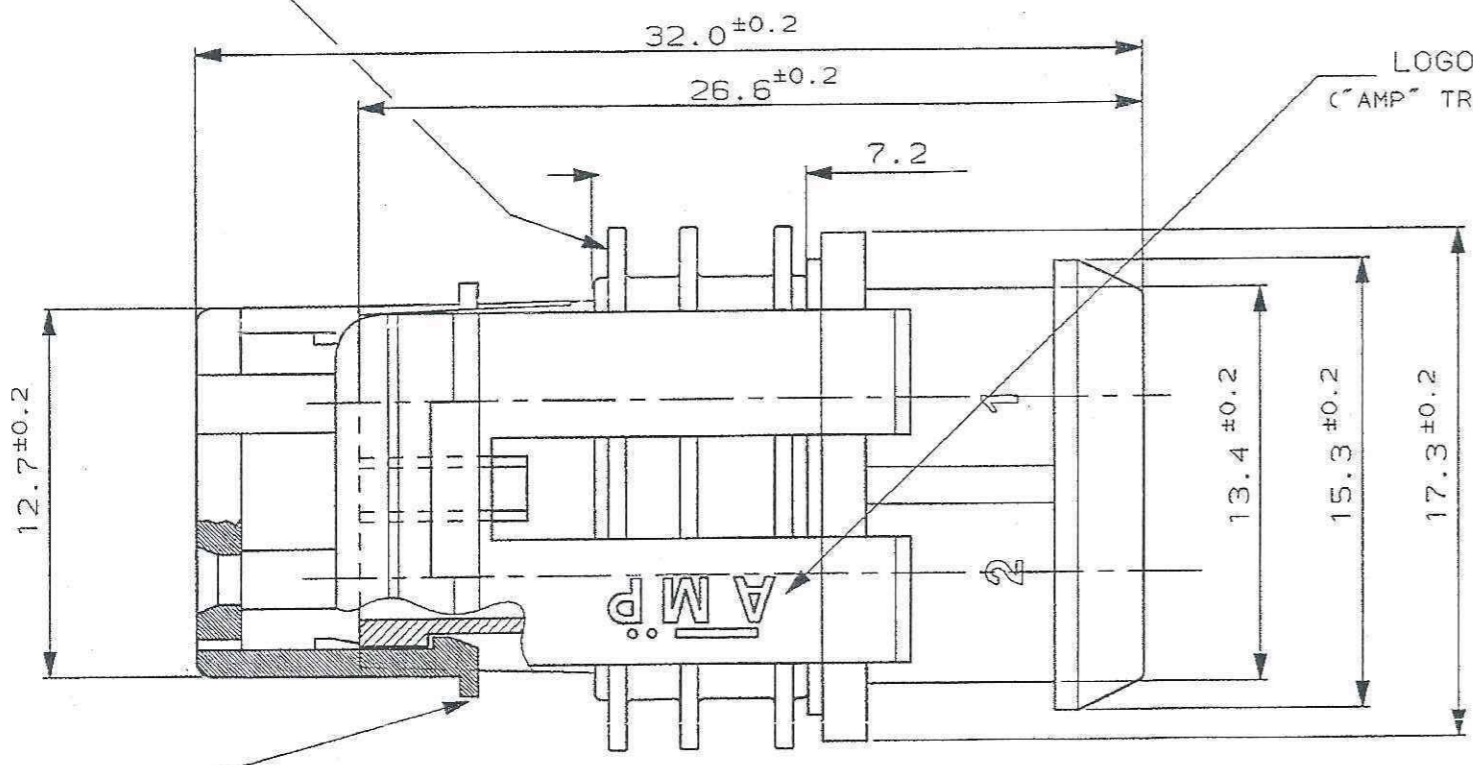
PROIEZIONE EUROPEA
(EUROPEAN PROJECTION)

ALTERNATIVE PROFILE



*Drawing Replaced by
C-282080 Rev D4*

GUARNIZIONE, GOMMA SILICONICA
(GASKET, SILICONE RUBBER)



LOGO "AMP"
("AMP" TRADE MARK)

1) PER RAPPRESENTAZIONE DIMA CONTROPARTE
VEDERE FOGLIO 2 DI 2.
(FOR COUNTERPART DETAIL SEE SHEET 2 OF 2)

AGGANCIAMENTO SECONDARIO, COLORE BIANCO, PRE-ASSEMBLATO
(SECONDARY LOCK, WHITE COLOUR, IN PRE-ASSEMBLED POSITION)

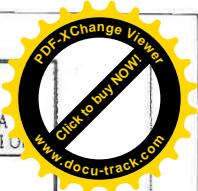
BIANCO (WHITE)	ACC. TO IEC 60335-1	A	1745096-1
FINITURA / COLORE (FINISH / COLOUR)	MATERIALE (MATERIAL)	REV.	NUMERO (PART NUMBER)

CUSTOMER DWG. FOR REFERENCE ONLY DISEGNO PER CLIENTE SOLO PER RIFERIMENTO

THIS DRAWING IS UNPUBLISHED	RELEASE FOR PUBLICATION	19
© COPYRIGHT 19 BY AMP INCORPORATED, HARRISBURG, PA. ALL INTERNATIONAL RIGHT RESERVED. AMP PRODUCTS MAY BE COVERED BY U.S. AND FOREIGN PATENT AND/OR PATENT PENDING		
TOLLERANZE, SE NON DIVERSAMENTE SPECIFICATO (TOLERANCES, UNLESS OTHERWISE SPECIFIED)	DIAM. ISOLANTE (INS. DIA. RANGE)	RANGO FILO (WIRE RANGE)
± 0.3	-	-
ANGOLI (ANGLES)	AMP ITALIA S.p.A. Corso F.lli Cervi, 15 COLLENO (TORINO)	
± 2°	tyco Electronics	

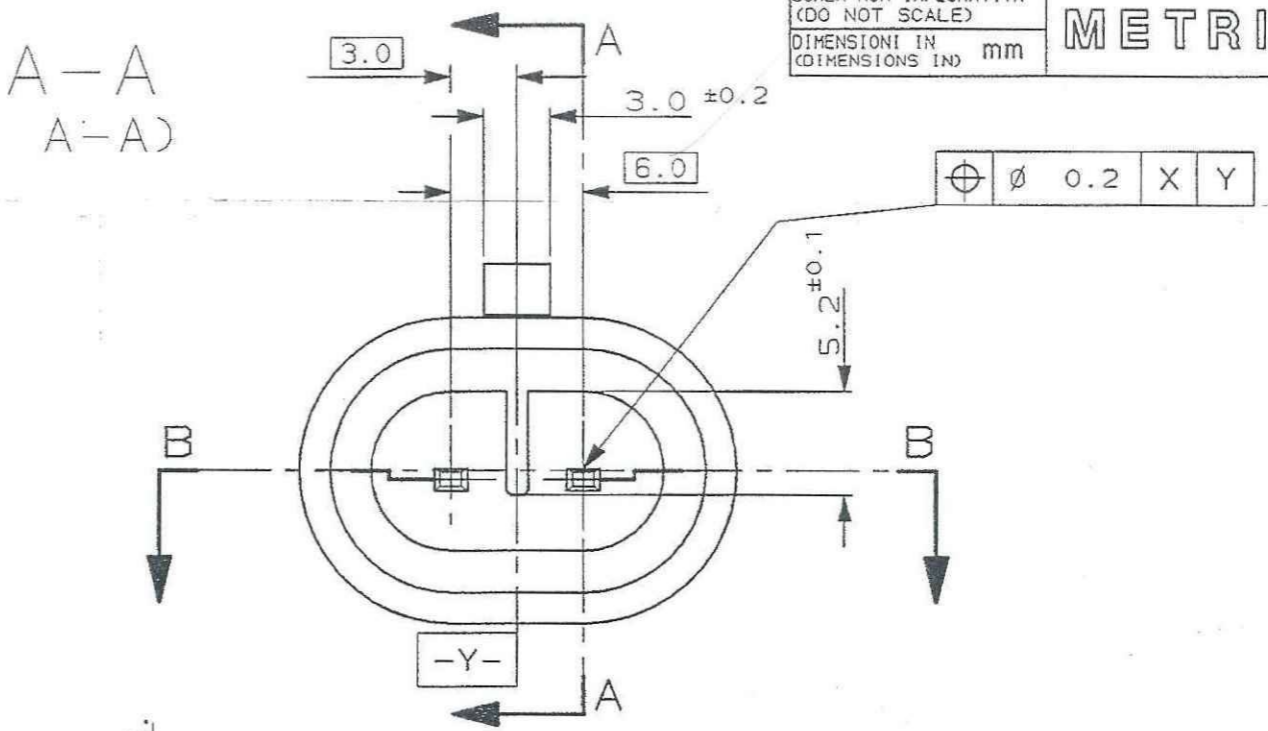
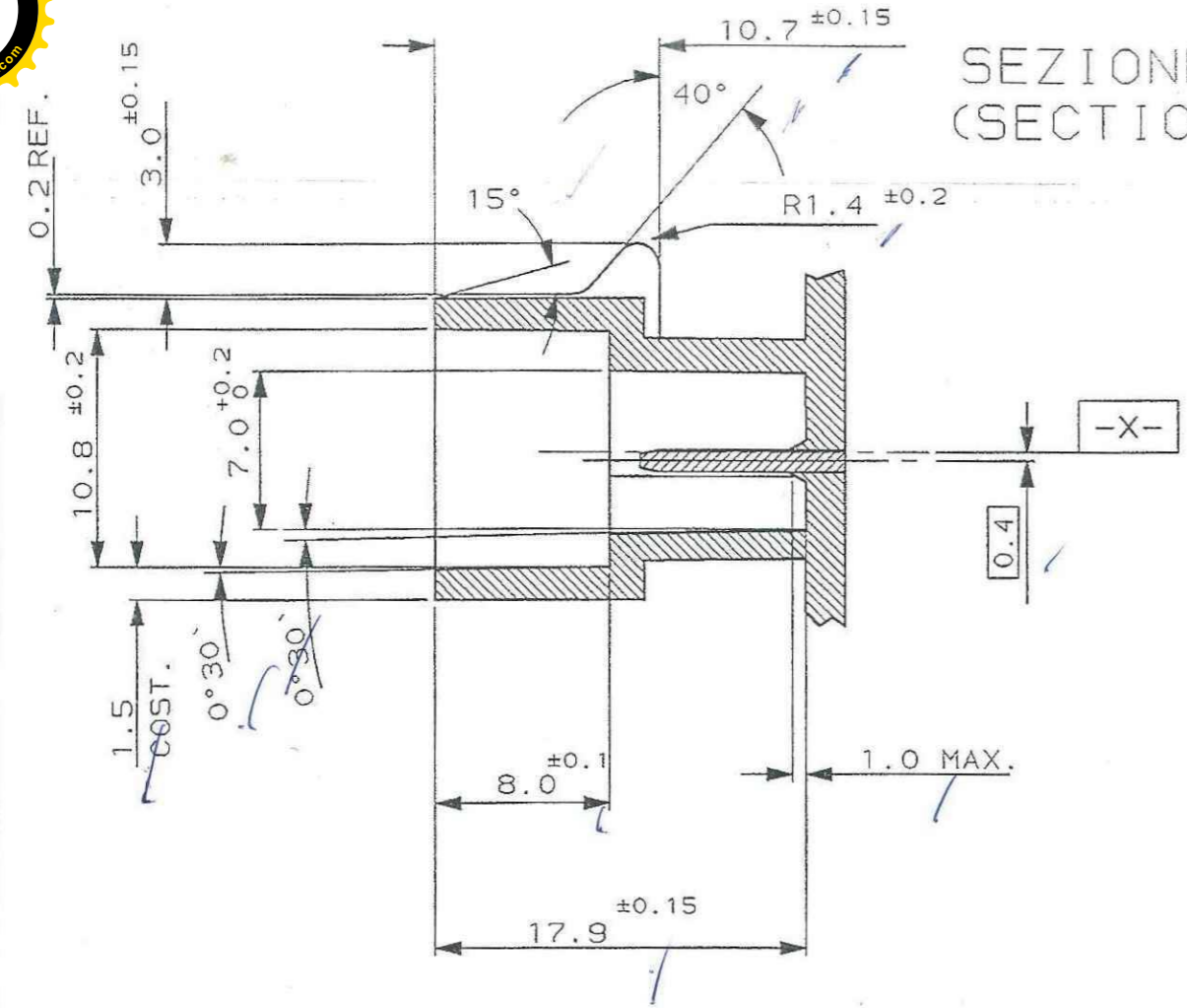
DIS. (DR.)	26-6-06	DESCRIZIONE (DESCRIPTION)	2 POS. PLUG ASS'Y
CONT. (CHK)	M. PALMA	AMP SUPERSEAL 1.5 SERIES CONNECTORS	
M.G. (M.G.)	26-6-06	LOC. SIZE (LOC. SIZE)	1 A3
M.P. (M.P.)	R. MARTINI	REV.	A1
APP. (APP.)	A. GENTA	FOGLIO (SHEET)	1
DIS. DATA (DR. DATE)	26-6-06	DI (COP)	2

DISTRIBUZIONE (PRINT DIST.)

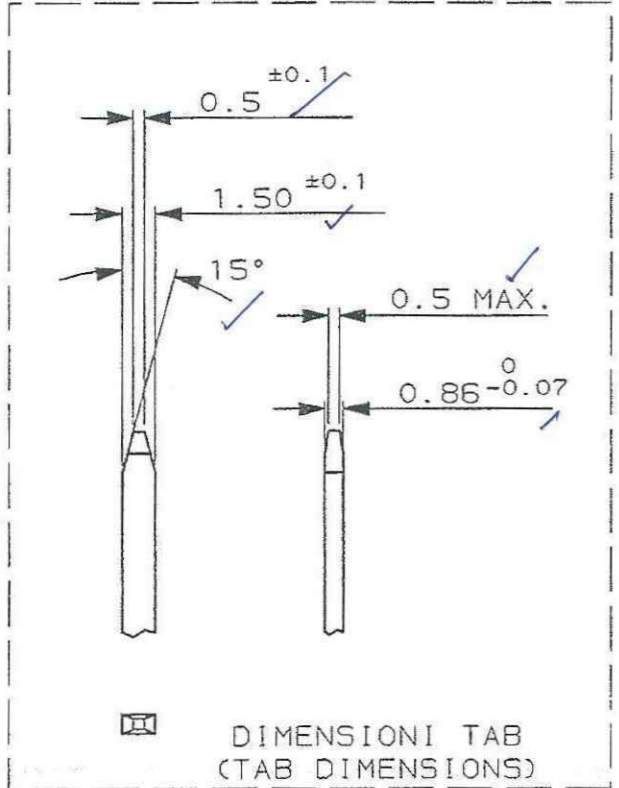
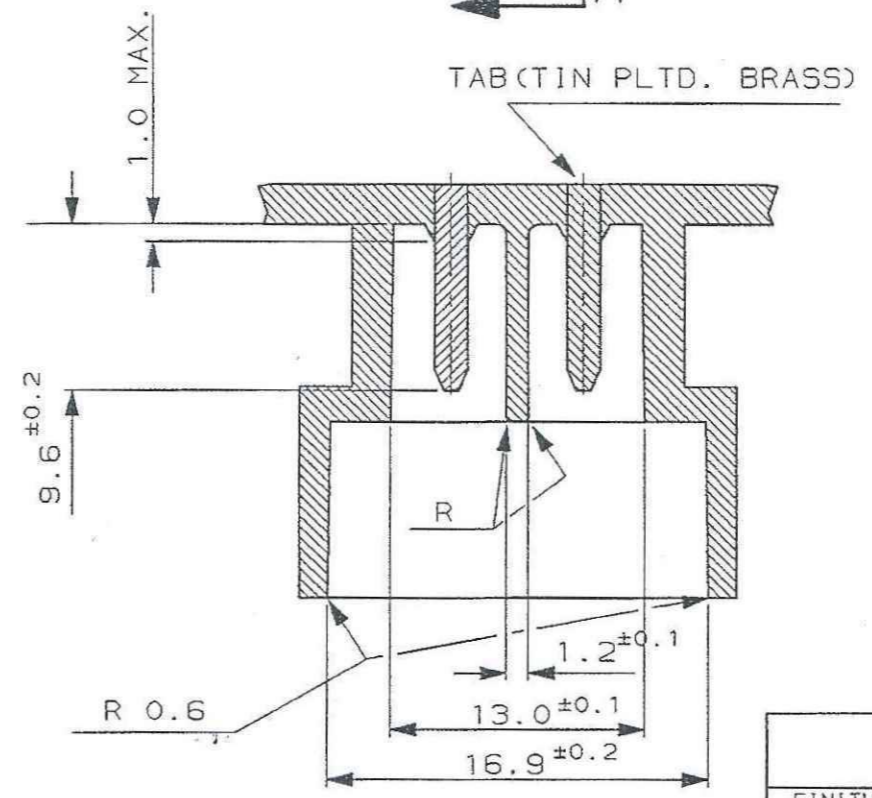


SCALA NON IMPEGNATIVA
(DO NOT SCALE)
DIMENSIONI IN mm
METRIC
PROIEZIONE EUROPEA
(EUROPEAN PROJECTION)

SEZIONE A-A
(SECTION A-A)



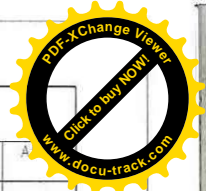
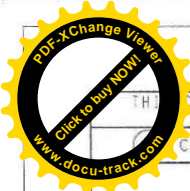
SEZIONE B-B
(SECTION B-B)



PA 6.6 - GF ACC. TO IEC 60335-1		NUMERO (PART NUMBER)	
FINITURA / COLORE (FINISH / COLOUR)		MATERIALE (MATERIAL)	
CUSTOMER DWG. FOR REFERENCE ONLY		DISEGNO PER CLIENTE SOLO PER RIFERIMENTO	
THIS DRAWING IS UNPUBLISHED		RELEASE FOR PUBLICATION	
© COPYRIGHT 19 BY AMP INCORPORATED, HARRISBURG, PA. ALL INTERNATIONAL RIGHT RESERVED. AMP PRODUCTS MAY BE COVERED BY U.S. AND FOREIGN PATENT AND/OR PATENT PENDING			
TOLLERANZE: SE NON DIVERSAMENTE SPECIFICATO (TOLERANCES, UNLESS OTHERWISE SPECIFIED)		DIAM. ISOLANTE (INS. DIA. RANGE)	RANGO FILO (WIRE RANGE)
± 0.3		-	-
ANGOLI (ANGLES)		SCALA (SCALE)	
± 2°		-	
DIS. (DR.)		DESCRIZIONE (DESCRIPTION)	
-		2 POS. PLUG ASS'Y	
CONT. (CHK)		AMP SUPERSEAL 1.5 SERIES CONNECTORS	
APP. (APP.)		LOC. SIZE (DWG NO)	REV. FOGGIO (SHEET)
-		I A3 C-1745096	A1 2 OF 2

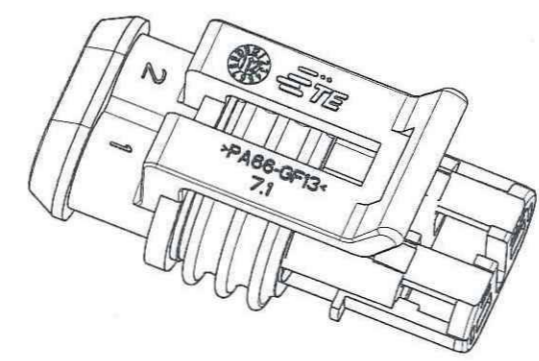
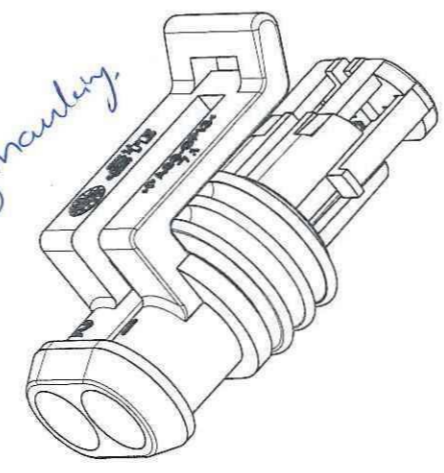
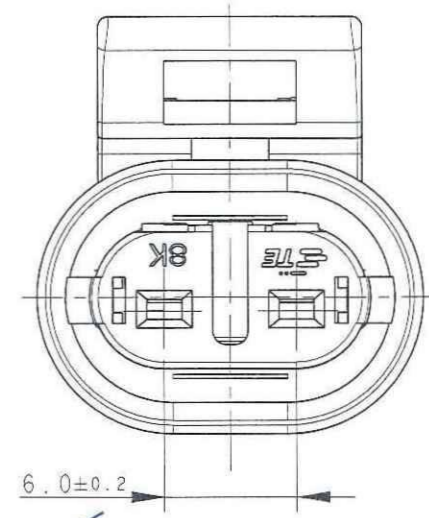
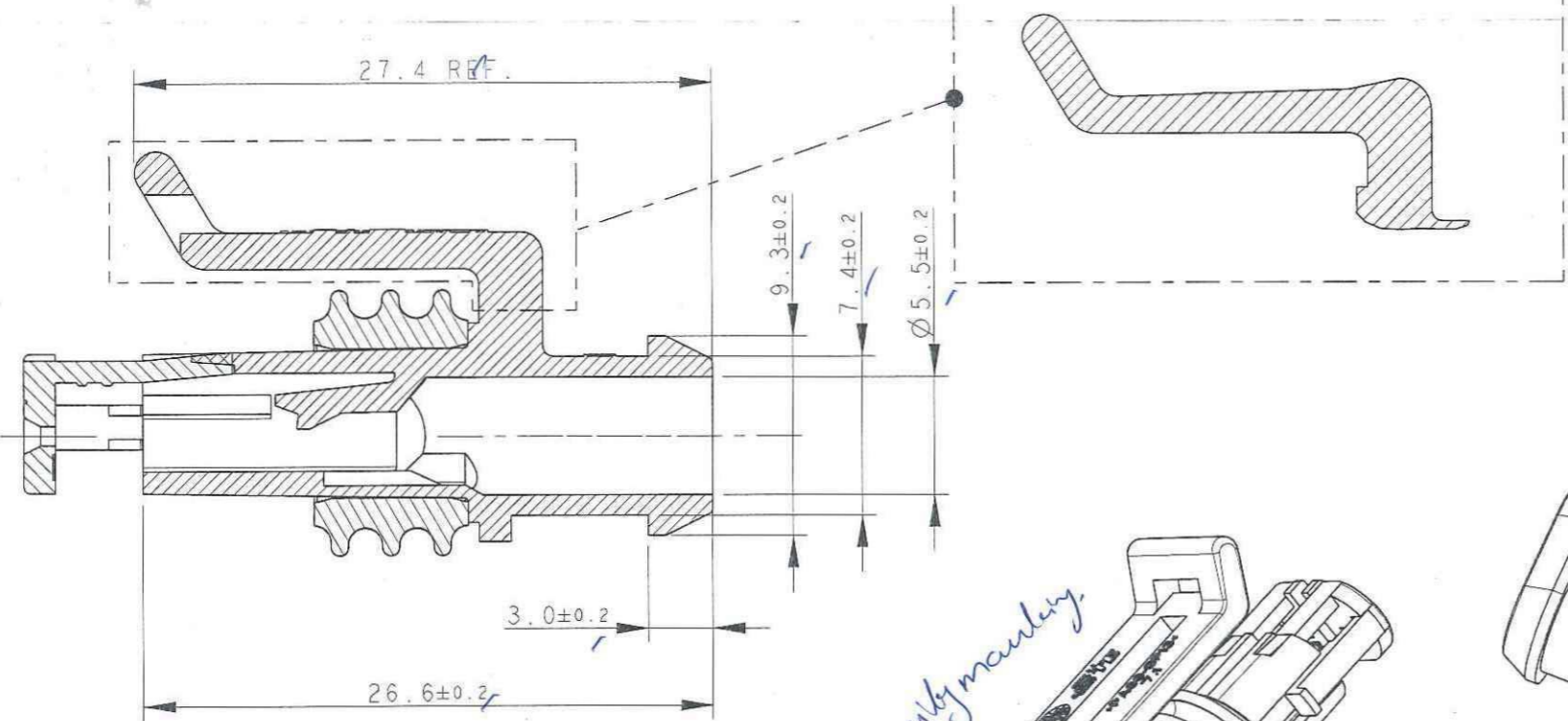
VEDERE FOGLIO 1 DI 2 (SEE SHEET 1 OF 2)	REVISIONI (REVISION RECORD)	DIS. DATA (DR. DATE)

DISTRIBUZIONE
(PRINT DIST.)

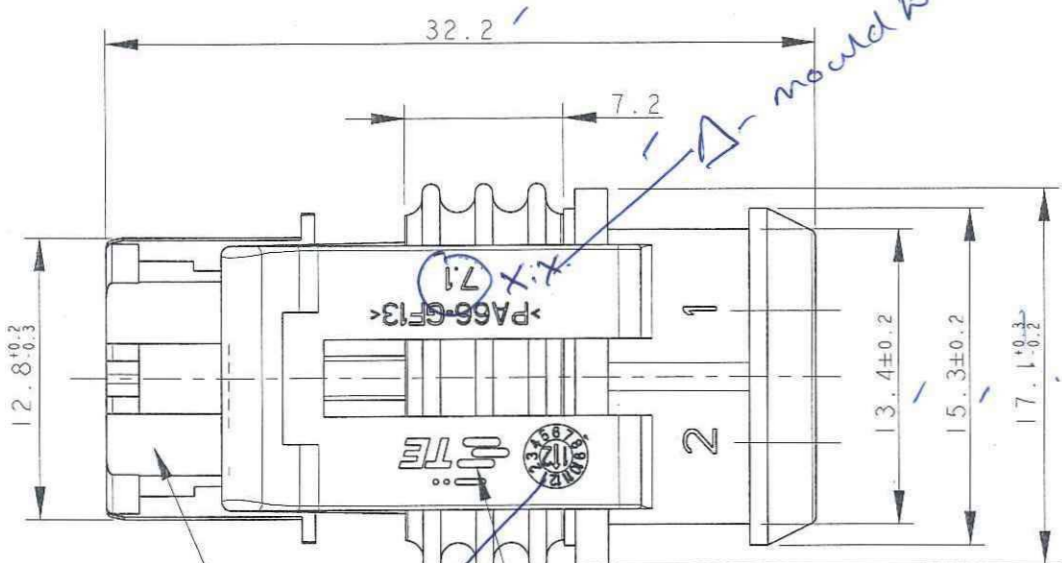


REVISIONS				
P	LTR	DESCRIPTION	DATE	DWN
D2		ADDED FSL SEAL VERSION (ECO-15-016364)	13NOV2015	M.G.
D3		REVISED PER ECO-17-001706	10FEB2017	C.A.
D4		Revised per Eco-	-	

ALTERNATIVE DESIGN OF LOCKING LANCE



H08TSL is PA66GF20 UL94-V2
 Sealing: LSR
 ALL TO IEC 60335-1



1) FOR COUNTERPART DETAILS, SEE SHEET 2 OF 2

High white mould Hsq+sf → PA66-GF20 1745096-1

FINISH/COLOR	MATERIAL	PART NUMBER
Hsq BLACK SL-red	HOUSING+SEC. LOCK: PA66-GF SEALING: FSL	1-282080-1 (*)
Hsq BROWN SL-red		282080-4
Hsq GREEN SL-red	HOUSING+SEC. LOCK: PA66-GF SEALING: LSR	282080-3
Hsq GRAY SL-red		282080-2
Hsq BLACK SL-red		282080-1

4) Datecode (optional in old mould)

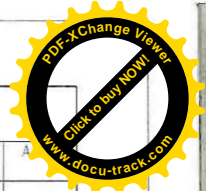
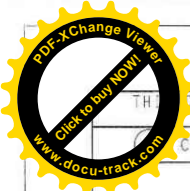
TE CONNECTIVITY TRADE MARK, (IN ALTERNATIVE: "AMP" LOGO, OR "Tyco Electronics" LOGO)

SEALING (COLOUR YELLOW FOR LSR VERSION) (COLOUR WHITE FOR FSL VERSION)

PRE-ASSEMBLED SECONDARY LOCK (COLOUR RED/WHITE) (Colour Red/White)

THIS DRAWING IS A CONTROLLED DOCUMENT.

DWN C. BERTINI 05-1992	TE Connectivity
CHK A. BRUNI 05-1992	
APVD	NAME
PRODUCT SPEC 108-20090	AMP SUPERSEAL 1.5 SRS. 2 POSITIONS PLUG ASS'Y
APPLICATION SPEC 412-20000	SIZE CAGE CODE DRAWING NO RESTRICTED TO
WEIGHT 2.60gr	A300779 C-282080
Customer Drawing	SCALE 3:1 SHEET 1 OF 2 REV D3



4

3

2

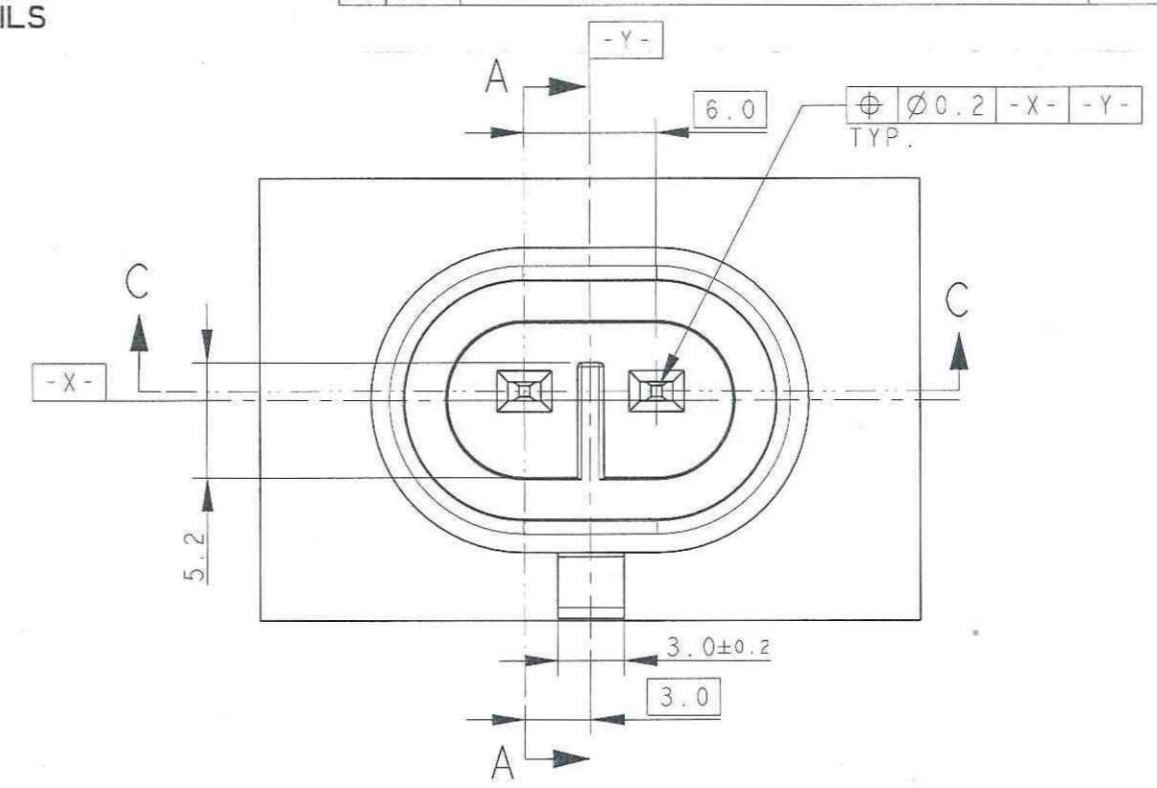
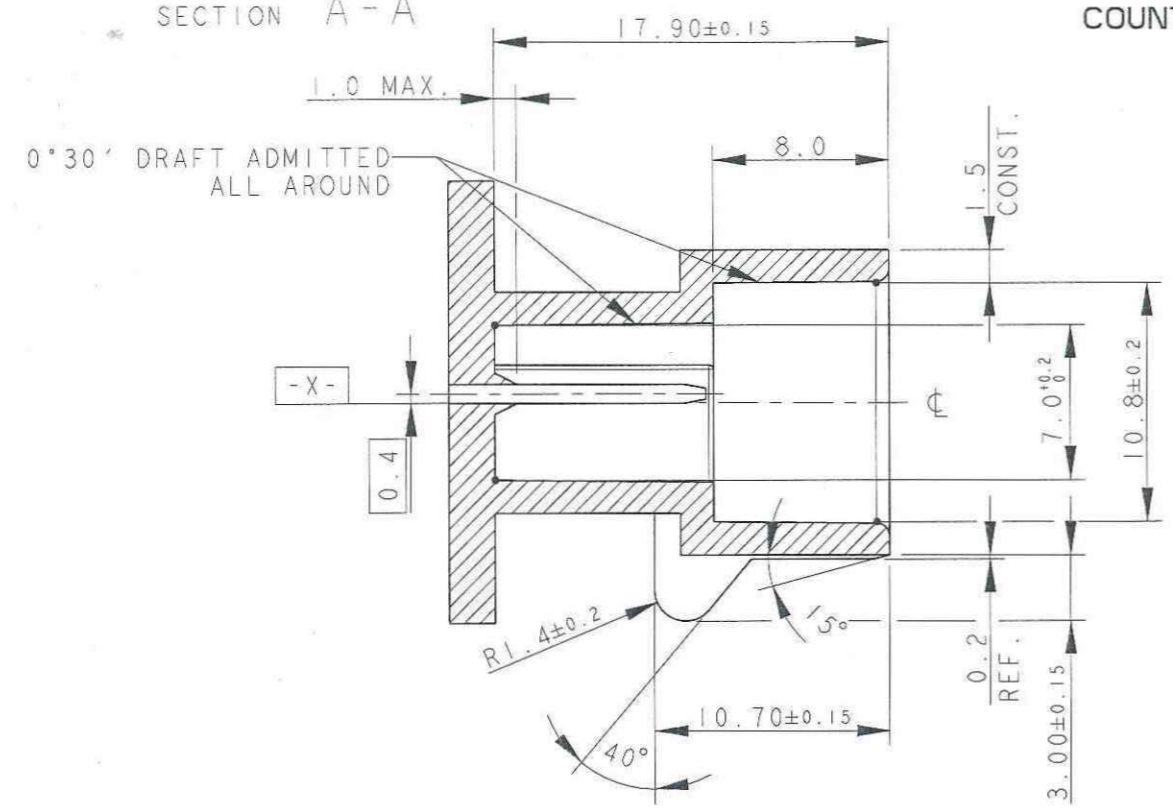
1

THIS DRAWING IS UNPUBLISHED.
 RELEASED FOR PUBLICATION
 COPYRIGHT 2011
 ALL RIGHTS RESERVED.

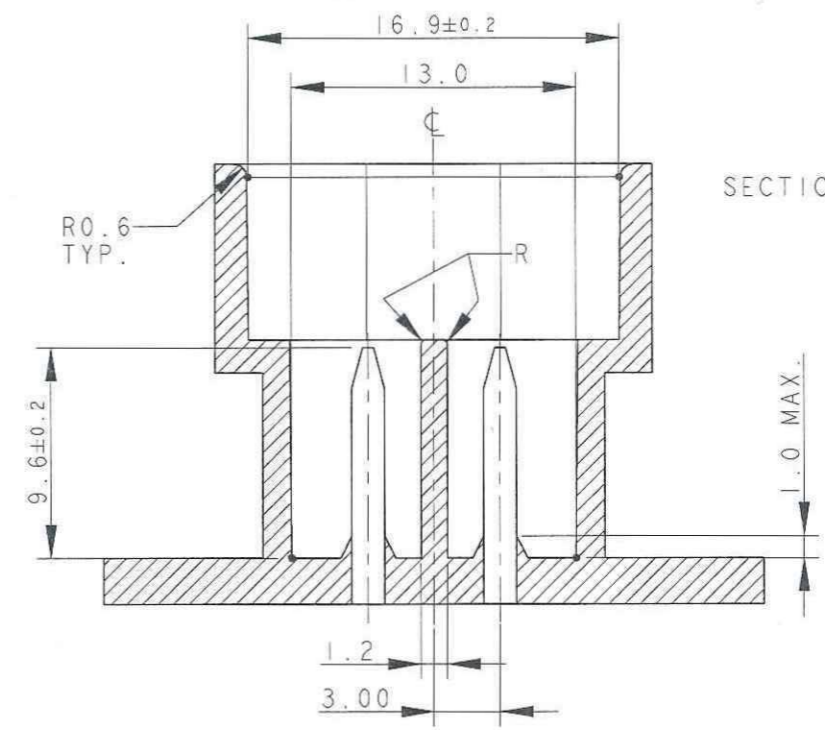
REVISIONS				
P	LTR	DESCRIPTION	DATE	DWN
-	-	SEE SHEET 1	-	-

SECTION A-A

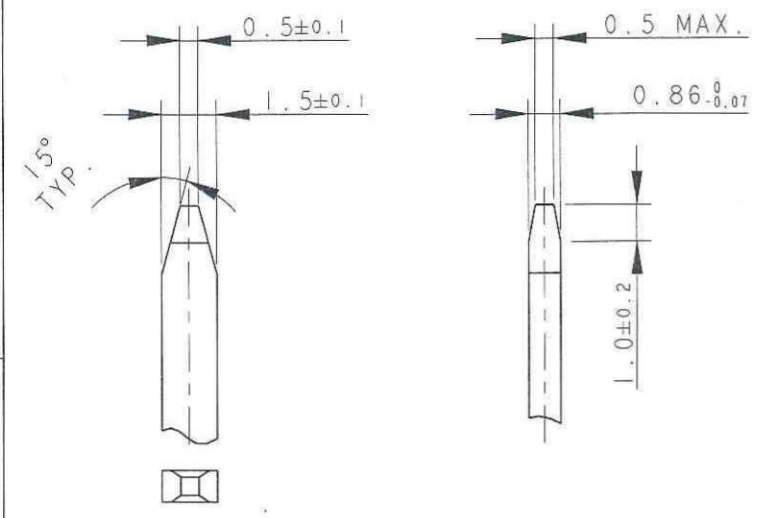
COUNTERPART DETAILS



SECTION C-C



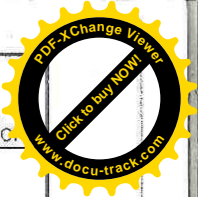
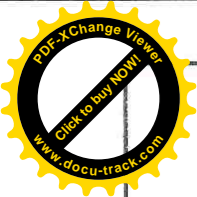
TAB DETAILS



MATERIALS: PA66-GF FOR HOUSING +
 TIN PLATED BRASS FOR TABS

*For PN 1745096-1 →
 counterpart mch1
 PA66-GF Accp
 IEC60335-1*

THIS DRAWING IS A CONTROLLED DOCUMENT.		DWN C. BERTINI 05-1992	TE Connectivity	
		CHK A. BRUNI 05-1992		
DIMENSIONS: mm		APVD -	NAME -	
TOLERANCES UNLESS OTHERWISE SPECIFIED:		PRODUCT SPEC 108-20090	AMP SUPERSEAL 1.5 SRS. 2 POSITIONS PLUG ASS'Y	
0 PLC ±0.3 1 PLC ±0.1 2 PLC ±0.05 3 PLC ± 4 PLC ± ANGLES ±2°		APPLICATION SPEC 412-20000	SIZE A300779	CAGE CODE C-282080
MATERIAL		WEIGHT 2.60gr	RESTRICTED TO -	
FINISH		Customer Drawing	SCALE 5:1	SHEET 2 OF 2
			REV D3	



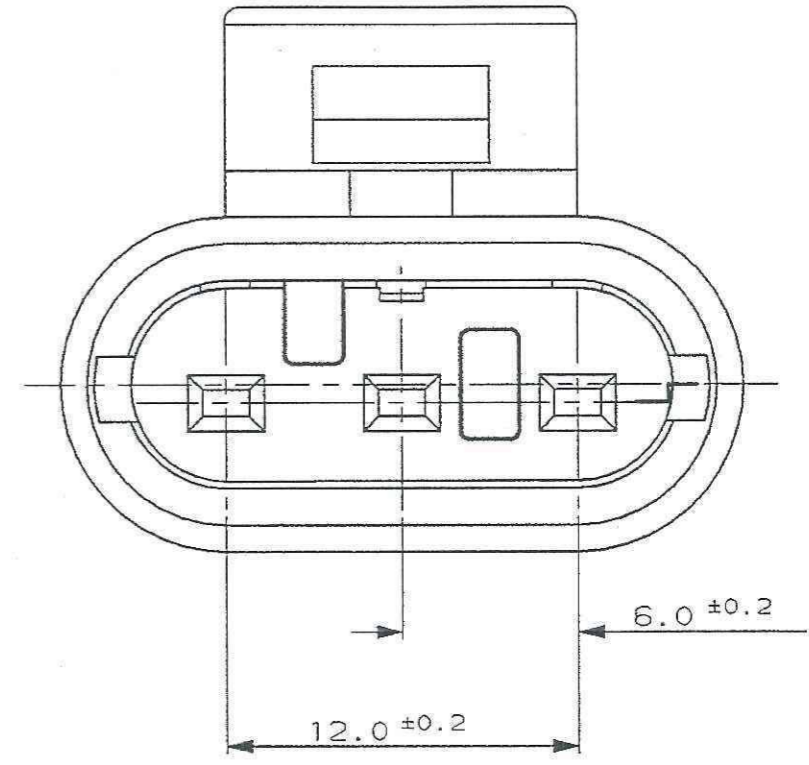
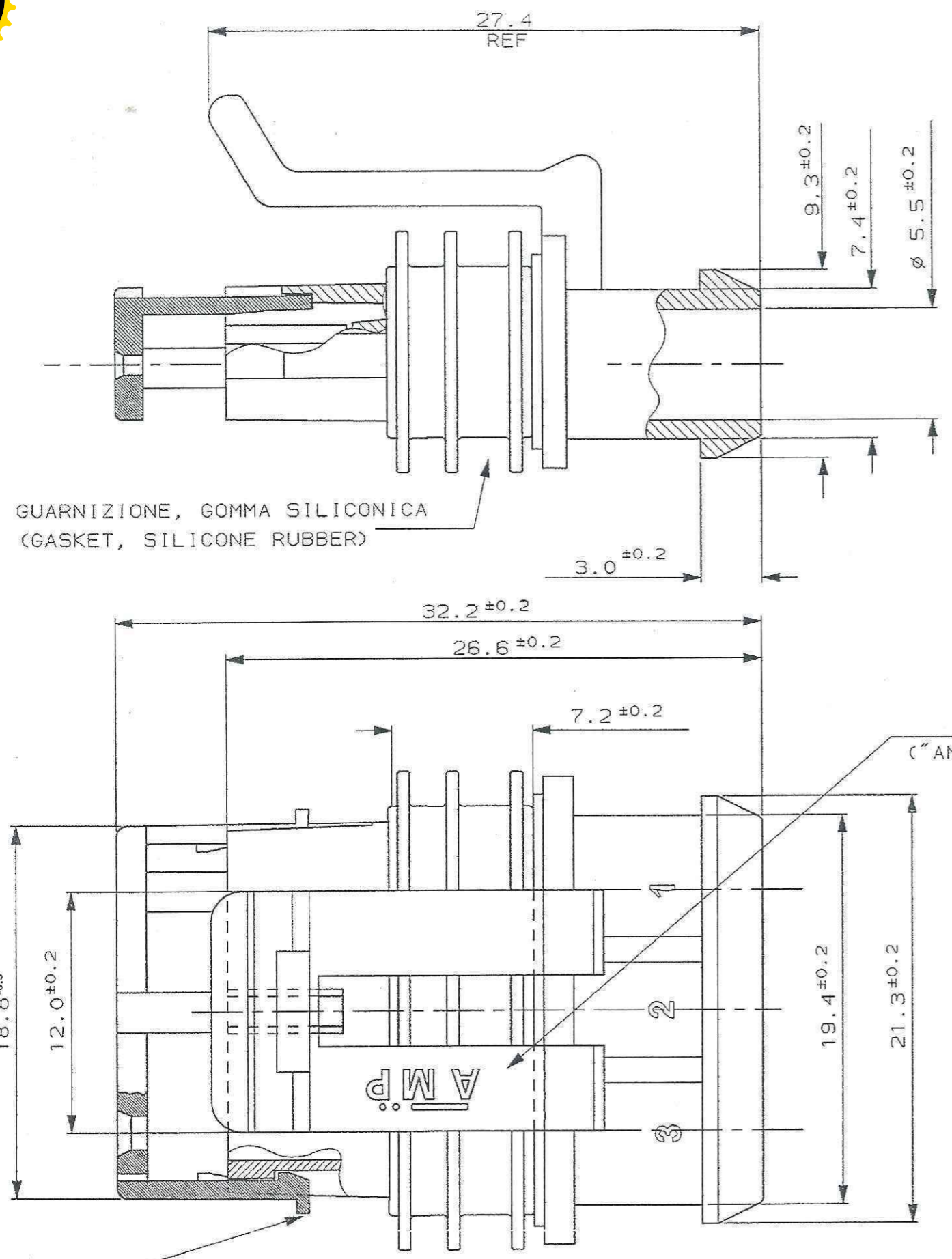
SCALA NON IMPEGNATIVA
(DO NOT SCALE)
DIMENSIONI IN mm
(DIMENSIONS IN mm)

METRIC

PROIEZIONE EUROPEA
(EUROPEAN PROJECTION)

A
B
C
D
E
F

A
B
C
D
E
F



GUARNIZIONE, GOMMA SILICONICA
(GASKET, SILICONE RUBBER)

AGGANCIAMENTO SECONDARIO, COLORE BIANCO, PRE-ASSEMBLATO
(SECONDARY LOCK, COLOUR WHITE, IN PRE-ASSEMBLED POSITION)

*Drawing replaced by
C-282087 REVCS*

1) PER RAPPRESENTAZIONE DIMA CONTROPARTE
VEDERE FOGLIO 2 DI 2.
(FOR COUNTERPART DETAIL SEE SHEET 2 OF 2)

BIANCO (WHITE)	PA 6.6 - GF20%	1745083-1
FINITURA / COLORE (FINISH / COLOUR)	ACC. TO IEC 60335-1	NUMERO (PART NUMBER)
	MATERIALE (MATERIAL)	

CUSTOMER DWG. FOR REFERENCE ONLY

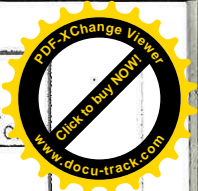
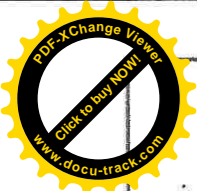
DISEGNO PER CLIENTE SOLO PER RIFERIMENTO

THIS DRAWING IS UNPUBLISHED		RELEASE FOR PUBLICATION		19
© COPYRIGHT 19 BY AMP INCORPORATED, HARRISBURG, PA. ALL INTERNATIONAL RIGHT RESERVED. AMP PRODUCTS MAY BE COVERED BY U.S. AND FOREIGN PATENT AND/OR PATENT PENDING				
TOLLERANZE: SE NON DIVERSAMENTE SPECIFICATO (TOLERANCES: UNLESS OTHERWISE SPECIFIED)	DIAM. ISOLANTE (INS. DIA. RANGE)	RANGO FILO (WIRE RANGE)	SCALA (SCALE)	
± 0.3	-	-	-	
ANGOLI (ANGLES)	± 2°			



A2	REVISED PER ECO-18-010704	VN	DR. 10-4-2006	DESCRIZIONE (DESCRIPTION)	3 POS. PLUG ASS'Y
A1	RELEASED FOR PRODUCTION (ECR-06-028933)	M.G.	10-4-2006	AMP SUPERSEAL 1.5 SERIES CONN.	
A	FIRST ISSUE	M.P.	10-4-2006	LOC. SIZE NUMERO (DWG NO)	I A3 C-1745083
REV. (REV. DATE)	REVISIONI (REVISION RECORD)	DIS. DATA (DR. DATE)	APP. DATA (APP. DATE)	REV.	FOGLIO (SHEET)
			A. GENTA	A2	1 DI 2 (OF 2)

DISTRIBUZIONE
(PRINT DIST.)

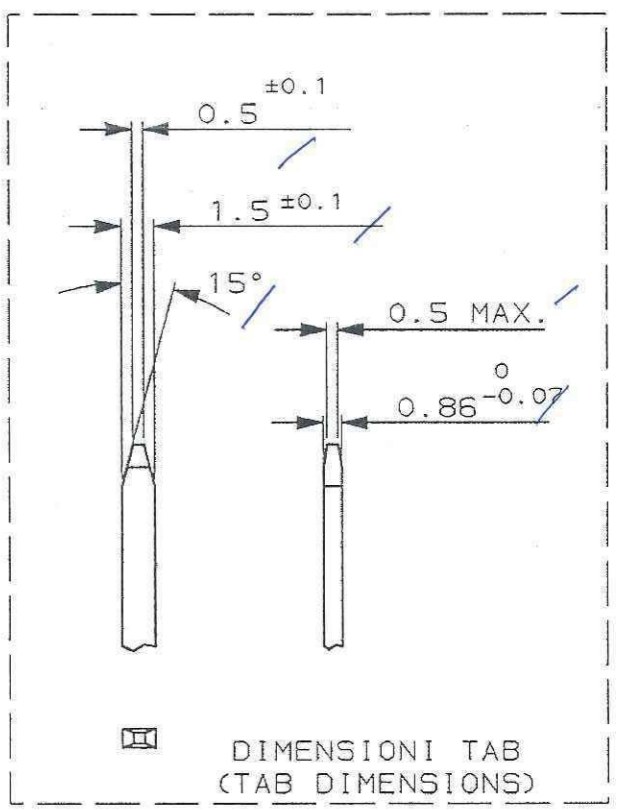
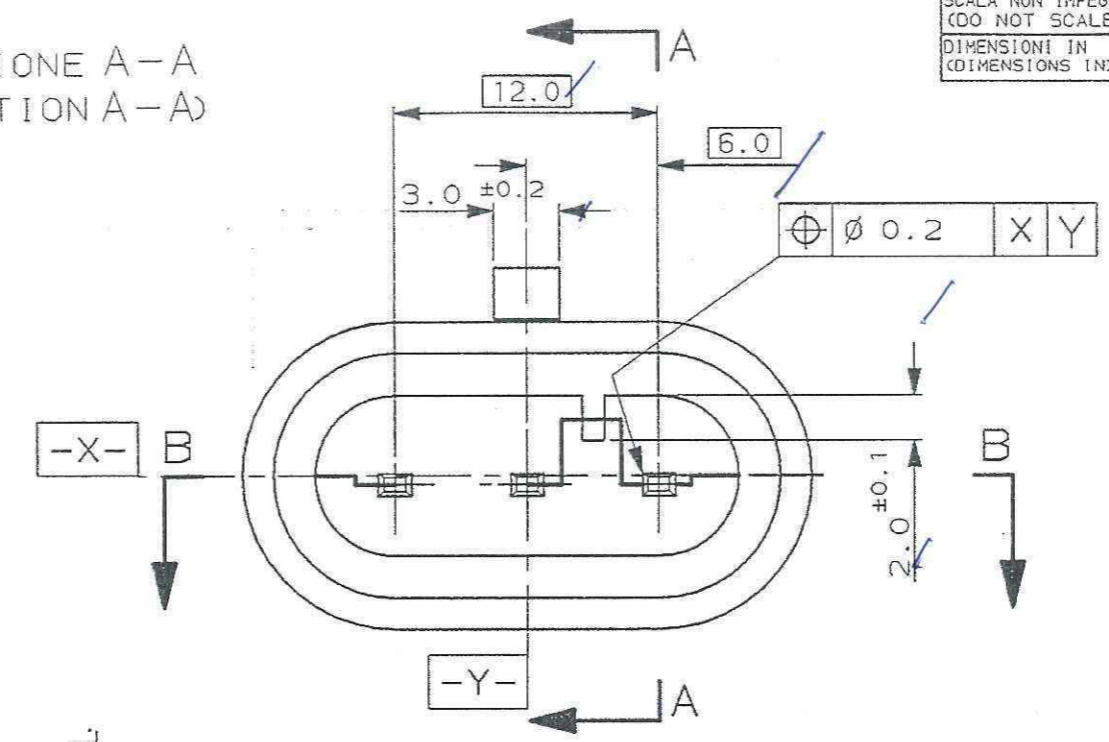
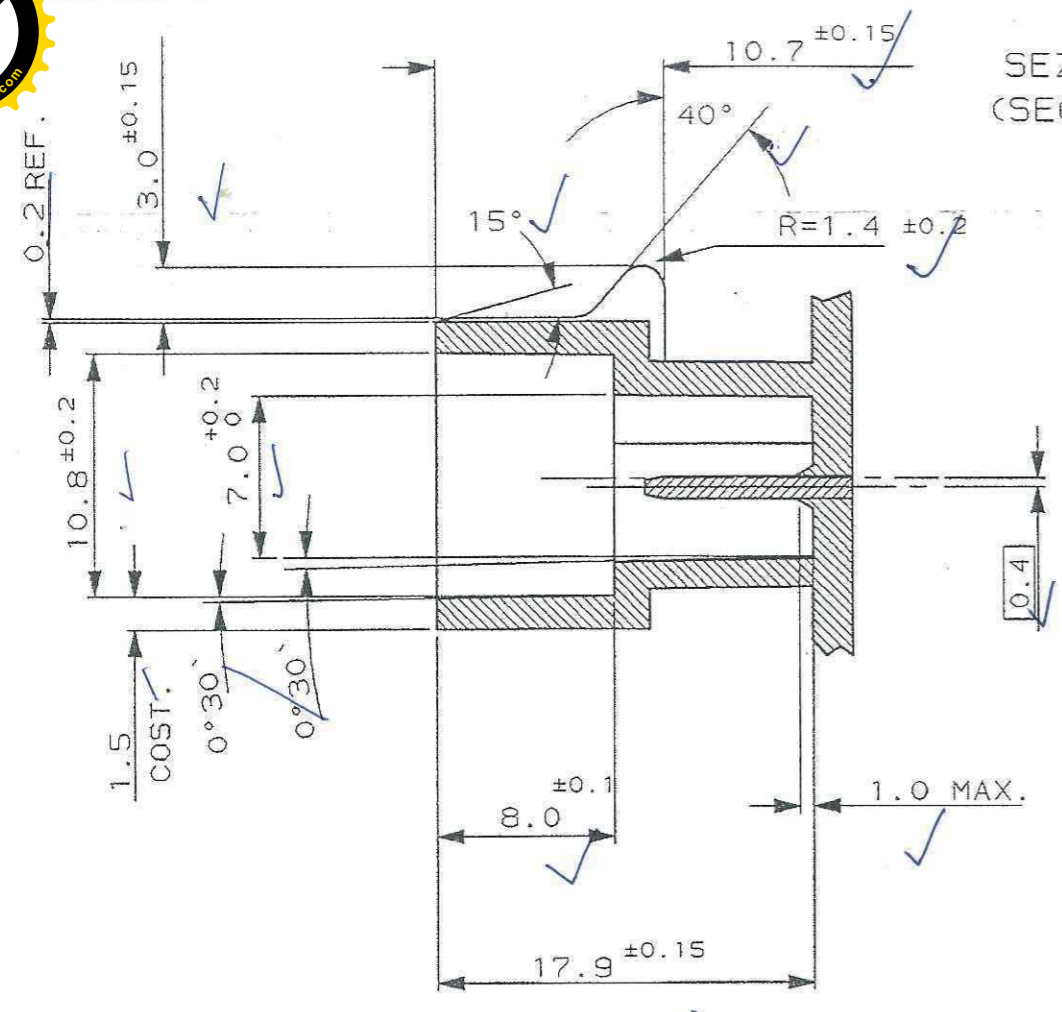


SCALA NON IMPEGNATIVA
(DO NOT SCALE)
DIMENSIONI IN mm
(DIMENSIONS IN mm)

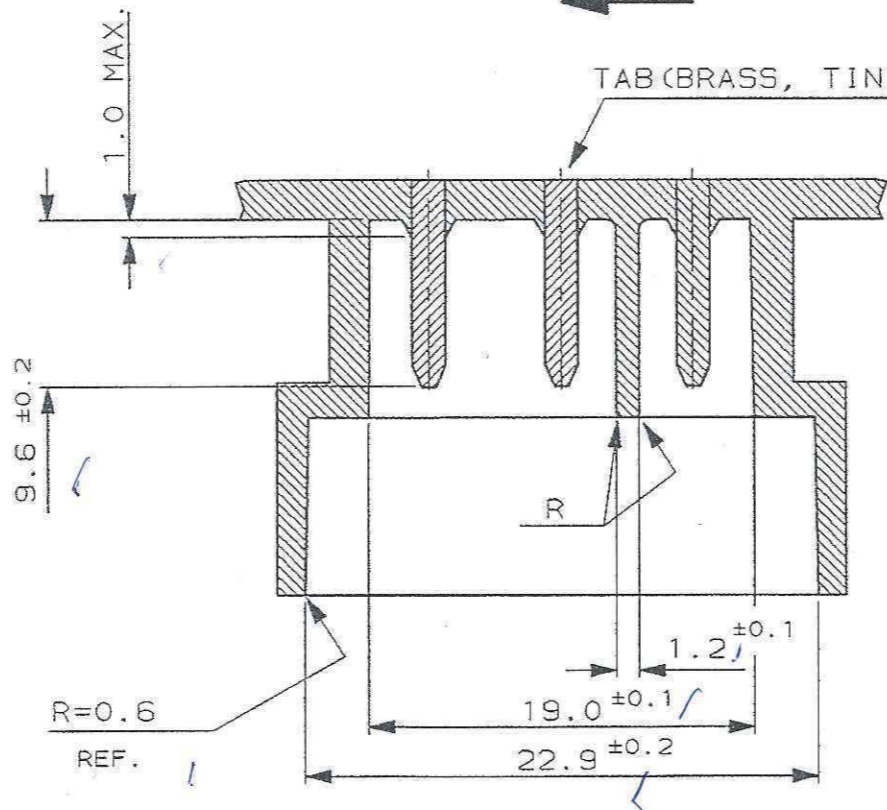
METRIC

PROIEZIONE EUROPEA
(EUROPEAN PROJECTIO...)

SEZIONE A-A
(SECTION A-A)



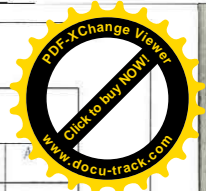
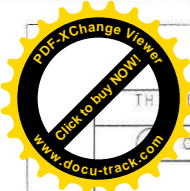
SEZIONE B-B
(SECTION B-B)



RAPPRESENTAZIONE DIMA CONTROPARTE
(COUNTERPART DETAIL AS SHOWN)

FINITURA / COLORE (FINISH / COLOUR)		PA 6.6 - GF FILLED ACC. TO IEC 60335-1	MATERIALE (MATERIAL)		NUMERO (PART NUMBER)
CUSTOMER DWG. FOR REFERENCE ONLY			DISEGNO PER CLIENTE SOLO PER RIFERIMENTO		
THIS DRAWING IS UNPUBLISHED		RELEASE FOR PUBLICATION		19	
© COPYRIGHT 19 BY AMP INCORPORATED, HARRISBURG, PA. ALL INTERNATIONAL RIGHT RESERVED. AMP PRODUCTS MAY BE COVERED BY U.S. AND FOREIGN PATENT AND/OR PATENT PENDING					
TOLLERANZE: SE NON DIVERSAMENTE SPECIFICATO (TOLERANCES, UNLESS OTHERWISE SPECIFIED)		DIAM. ISOLANTE (INS. DIA. RANGE)	RANGO FILO (WIRE RANGE)	SCALA (SCALE)	
± 0.3		-	-	-	
ANGOLI (ANGLES)		± 2°			
DIS. (DR.)		10/4/2006 M. PALMA		DESCRIZIONE (DESCRIPTION) 3 POS. PLUG ASS'Y AMP SUPERSEAL 1.5 SERIES CONN.	
VEDERE FOGLIO 1 DI 2 (SEE SHEET 1 OF 2)		CONT. (CHK) 10/4/2006 R. MARTINI		LOC. SIZE NUMERO (DWG NO)	
REV. (REV.)		REVISIONI (REVISION RECORD)		APP. (APP.) 10/4/2006 A. GENTA	
DIS. (DR.)		DATA (DATE)		REV. (REV.) A2	
		I A3		FOGLIO (SHEET) 2 DI (OF) 2	
		C-1745083			

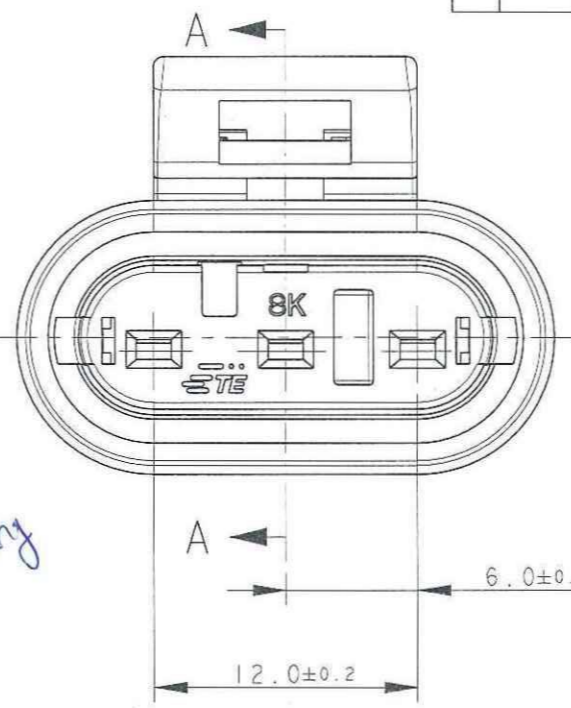
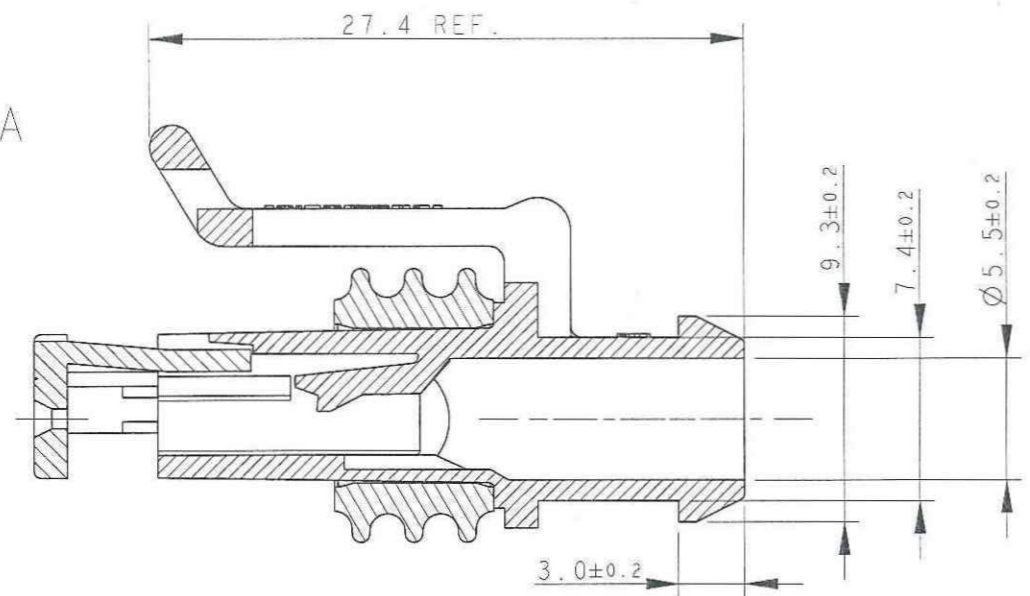
DISTRIBUZIONE
(PRINT DIST.)



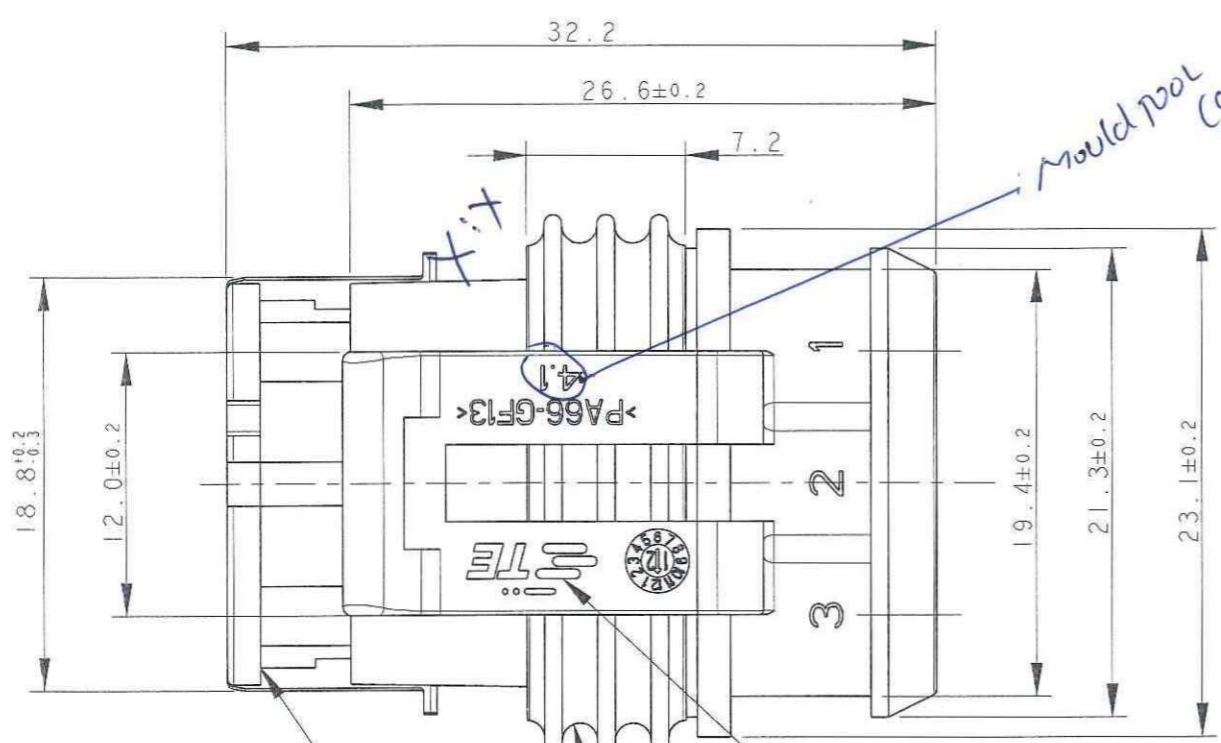
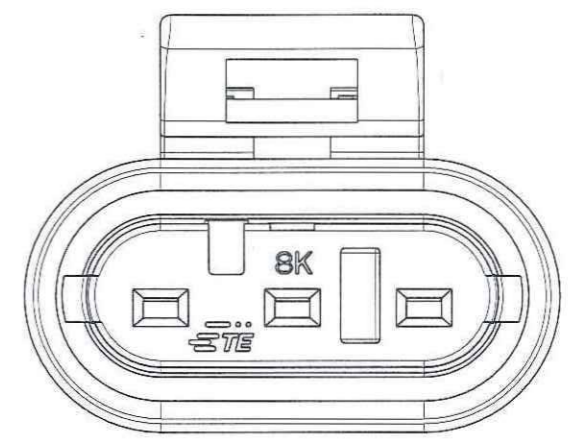
THIS DRAWING IS UNPUBLISHED.
 RELEASED FOR PUBLICATION 2011
 ALL RIGHTS RESERVED.
 COPYRIGHT 2011

P	LTR	DESCRIPTION	DATE	DWN	REV
C2		ADDED FSL SEAL VERSION (ECO-15-016364)	13NOV2015	M.G.	M.G.
C3		REVISED PER ECO-17-001706	10FEB2017	C.A.	M.G.
C4		REVISED PER ECO-18-012780	13AUG2018	AP	VN

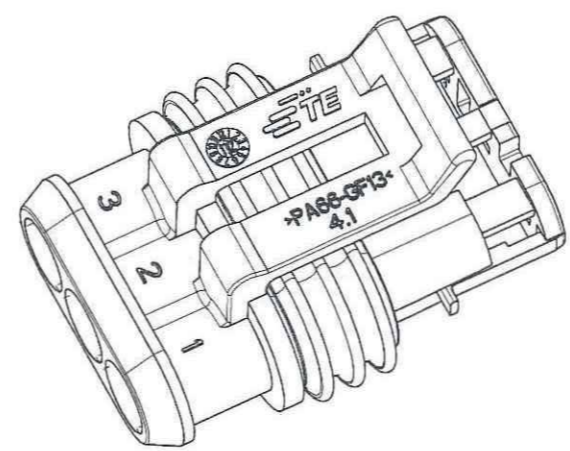
SECTION A-A



ONLY FOR BRAZILIAN PRODUCTION



Mould Pool Cavity marking



Same notes as - 2 pos.

FINISH/COLOR	MATERIAL	PART NUMBER
Hsq GRAY SL-red	HOUSING+SEC. LOCK: PA 66-GF SEALING: FSL	1-282087-2 (*)
Hsq BLACK SL-red	HOUSING+SEC. LOCK: PA 66-GF SEALING: FSL	1-282087-1 (*)
Hsq GRAY SL-red	HOUSING+SEC. LOCK: PA 66-GF SEALING: LSR	282087-2
Hsq BLACK SL-red	HOUSING+SEC. LOCK: PA 66-GF SEALING: LSR	282087-1

TE CONNECTIVITY TRADE MARK
 (IN ALTERNATIVE: "AMP" LOGO OR "Tyco Electronics" LOGO)

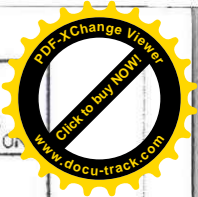
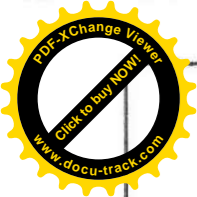
SEALING
 (COLOUR YELLOW FOR LSR VERSION)
 (COLOUR WHITE FOR FSL VERSION)

PRE-ASSEMBLED SECONDARY LOCK
 (COLOUR RED)

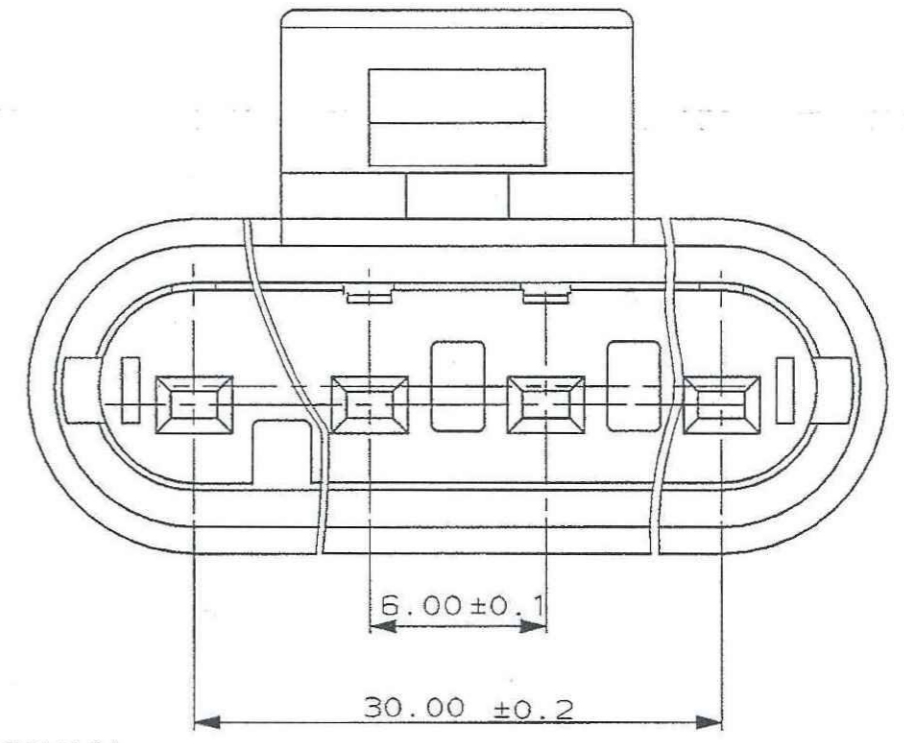
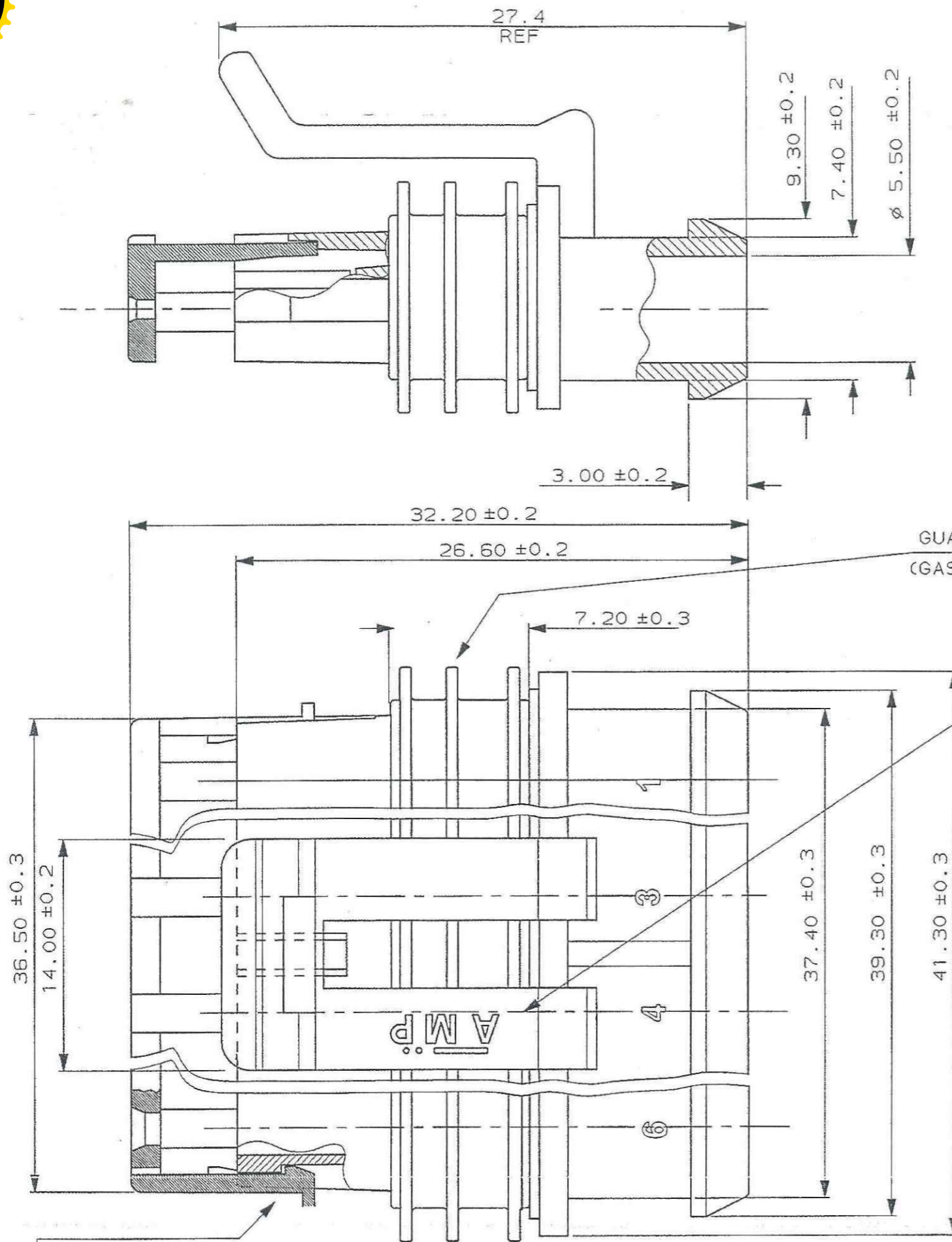
1) FOR COUNTERPART DETAILS, SEE SHEET 2 OF 2

THIS DRAWING IS A CONTROLLED DOCUMENT.

DIMENSIONS: mm	TOLERANCES UNLESS OTHERWISE SPECIFIED:	DWN C. BERTINI 07-1990	TE Connectivity
	0 PLC ±	CHK A. BRUNI 07-1990	
	1 PLC ±0.3	APVD -	
	2 PLC ±	PRODUCT SPEC 108-20090	AMP SUPERSEAL 1.5 SRS. 3 POSITIONS PLUG ASS'Y
	3 PLC ±	APPLICATION SPEC 412-20000	SIZE CAGE CODE DRAWING NO RESTRICTED TO
	4 PLC ±	WEIGHT 3.65gr	A300779 C=282087
	ANGLES ±2°	Customer Drawing	SCALE 5:1 SHEET 1 OF 2 REV C4
MATERIAL SEE TABLE	FINISH SEE TABLE		



SCALA NON IMPEGNATIVA (DO NOT SCALE)
 DIMENSIONI IN mm METRIC
 PROIEZIONE EUROPEA (EUROPEAN PROJECTION)



GUARNIZIONE, GOMMA SILICONICA
 (GASKET, SILICONE RUBBER)

LOGO "AMP"
 ("AMP" TRADE MARK)

*Drawing replaced by
 C-282090 Rev E3*

1) PER RAPPRESENTAZIONE DIMA CONTROPARTE
 VEDERE FOGLIO 2 DI 2.
 (FOR COUNTERPART DETAIL SEE SHEET 2 OF 2)

BIANCO (WHITE)	PA 6.6 - GF20%	1745085-1
FINITURA / COLORE (FINISH / COLOUR)	ACC. TO IEC 60335-1	NUMERO (PART NUMBER)
MATERIALE (MATERIAL)		

CUSTOMER DWG. FOR REFERENCE ONLY
 DISEGNO PER CLIENTE SOLO PER RIFERIMENTO

THIS DRAWING IS UNPUBLISHED - RELEASE FOR PUBLICATION 19
 © COPYRIGHT 19 BY AMP INCORPORATED, HARRISBURG, PA. ALL INTERNATIONAL RIGHT RESERVED. AMP PRODUCTS MAY BE COVERED BY U.S. AND FOREIGN PATENT AND/OR PATENT PENDING

TOLLERANZE: SE NON DIVERSAMENTE SPECIFICATO (TOLERANCES, UNLESS OTHERWISE SPECIFIED)	DIAM. ISOLANTE (INS. DIA. RANGE)	RANGO FILO (WIRE RANGE)	SCALA (SCALE)
± 0.3	-	-	-

ANGOLI (ANGLES) (CR.) ± 2°
 DIS. M. PALMA (CR.) 11-4-2006
 CONT. R. MARTINI (CHK) 11-4-2006
 APP. A. GENTA (APP.) 11-4-2006

tyco AMP ITALIA S.p.A.
 Corso F.lli Cervi, 15
 COLLEGNO (TORINO)

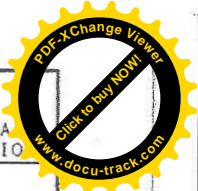
DESCRIZIONE (DESCRIPTION) 6 POS. PLUG ASS'Y
 AMP SUPERSEAL 1.5 SERIES CONNECTORS

REV. A1	RELEASED FOR PRODUCTION (ECR-06-028933)	M. G.	8-12-06	CONT. R. MARTINI (CHK) 11-4-2006
REV. A	FIRST ISSUE	M. P.	11-04-06	
REV.	REVISIONI (REVISION RECORD)	DIS. (DR)	DATA (DATE)	APP. (APP.)

LOC. I	SIZE A3	NUMERO (DWG NO) C-1745085	REV. A1	FOGLIO (SHEET) 1	DI (OF) 2
--------	---------	---------------------------	---------	------------------	-----------

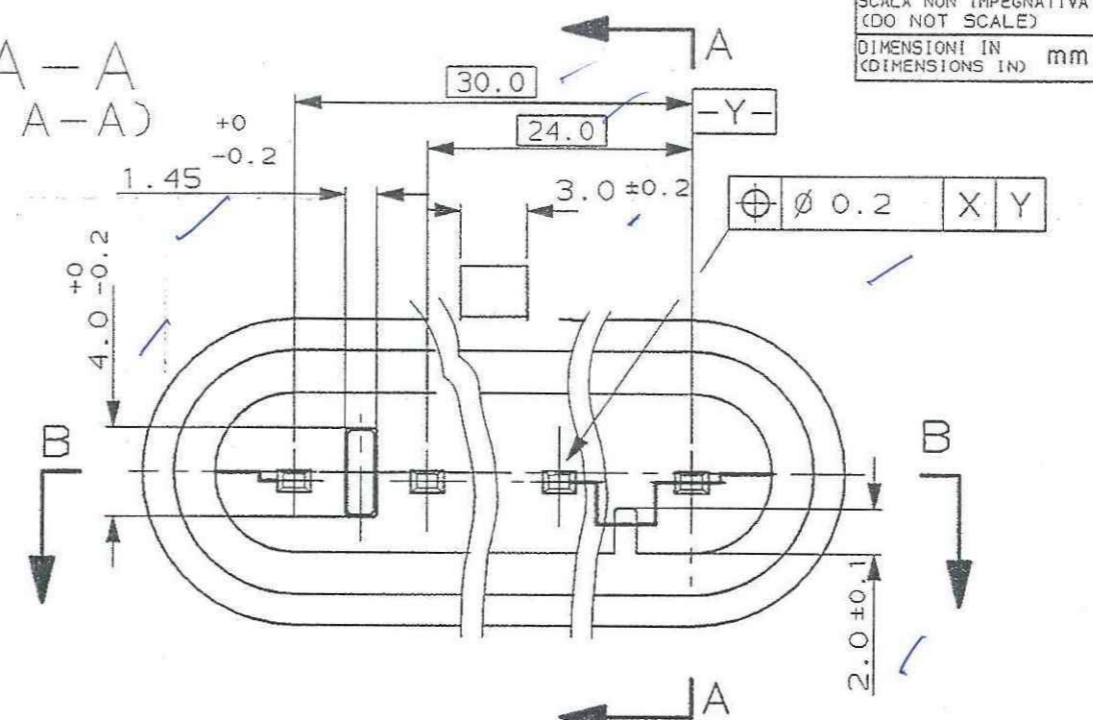
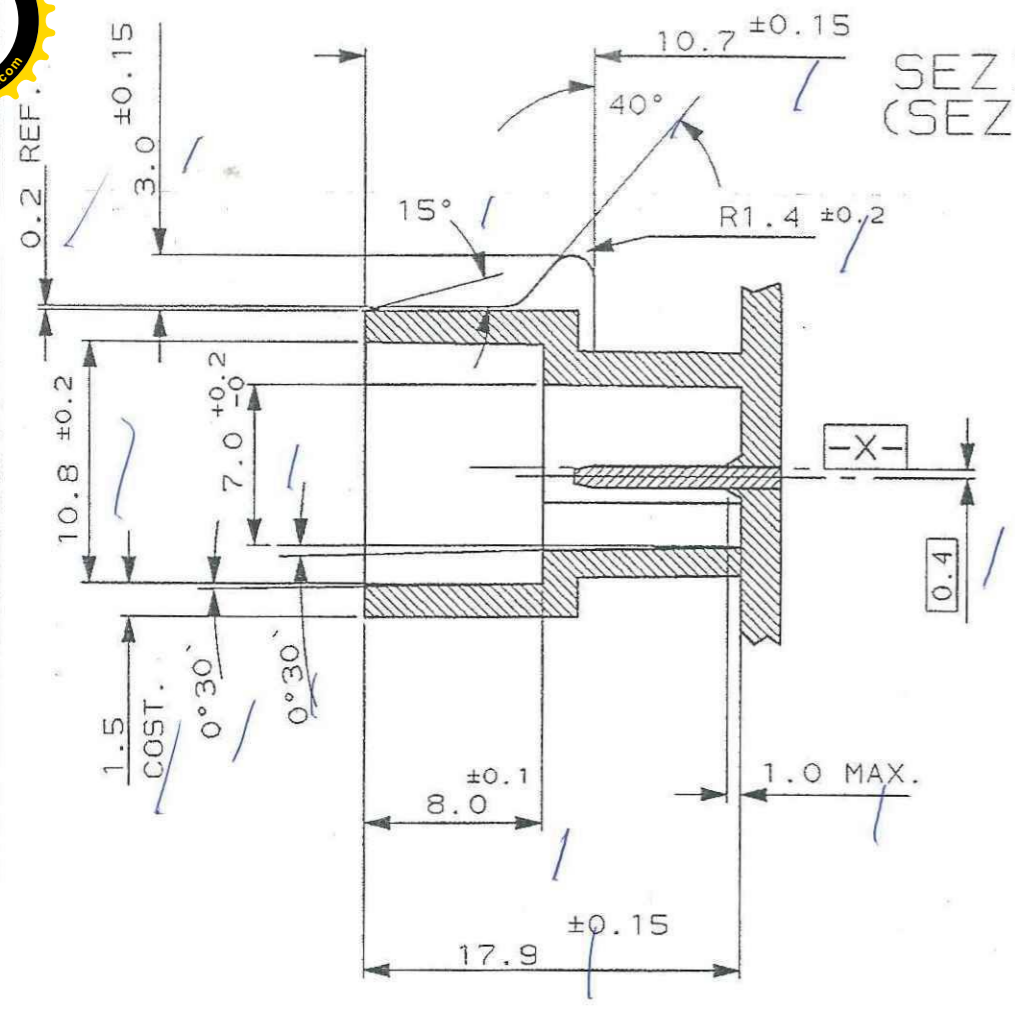
AGGANCIO SECONDARIO, COLORE BIANCO, PRE-ASSEMBLATO
 (SECONDARY LOCK, WHITE COLOUR, IN PRE-ASSEMBLED POSITION)

DISTRIBUZIONE (PRINT DIST.)

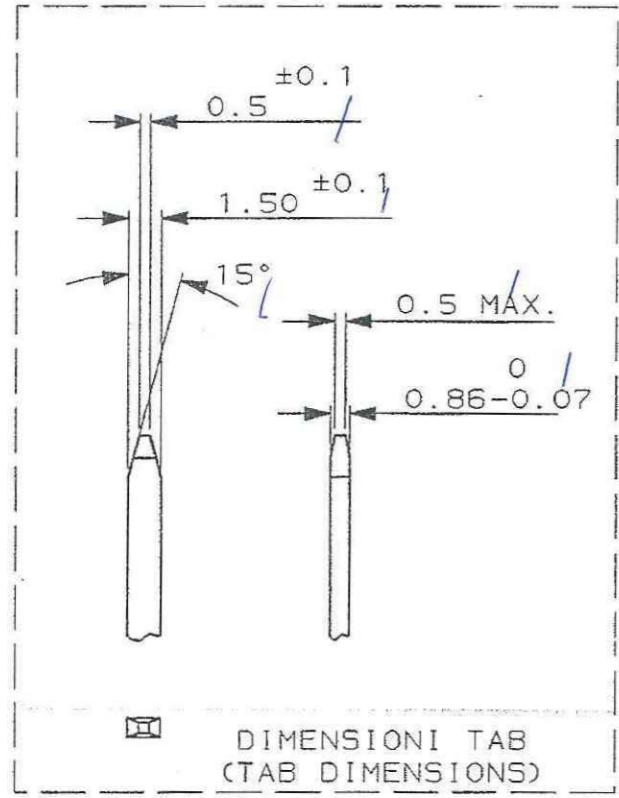
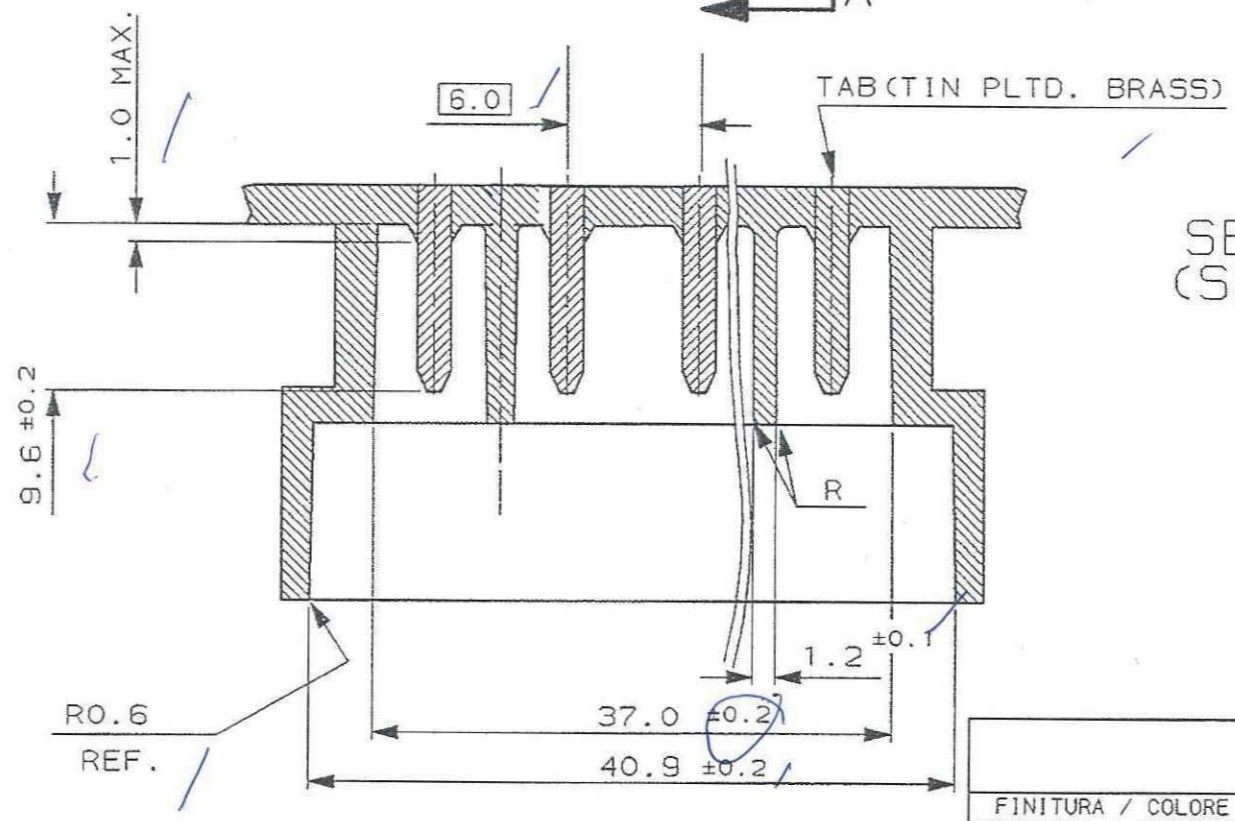


SCALA NON IMPEGNATIVA (DO NOT SCALE)
 DIMENSIONI IN mm
METRIC
 PROIEZIONE EUROPEA (EUROPEAN PROJECTION)

SEZIONE A-A
 (SEZIONE A-A)

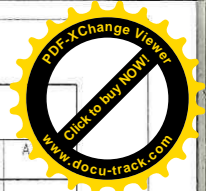
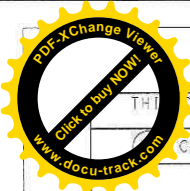


SEZIONE B-B
 (SEZIONE B-B)

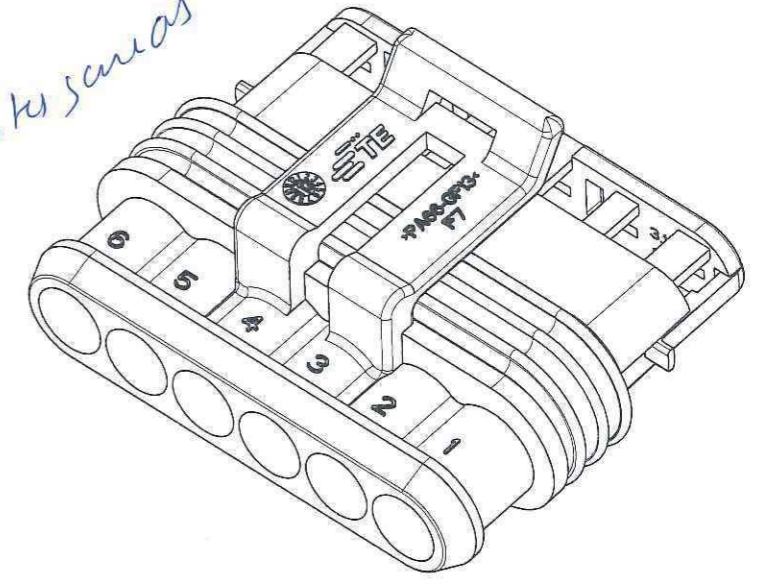
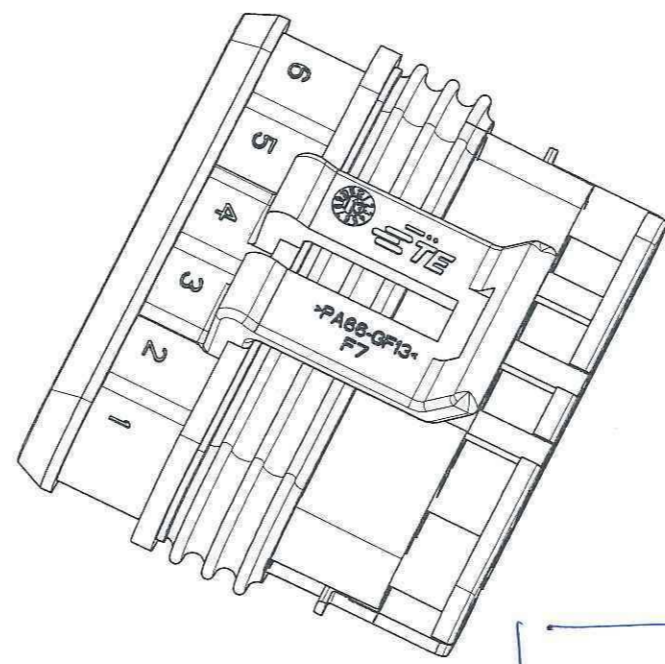
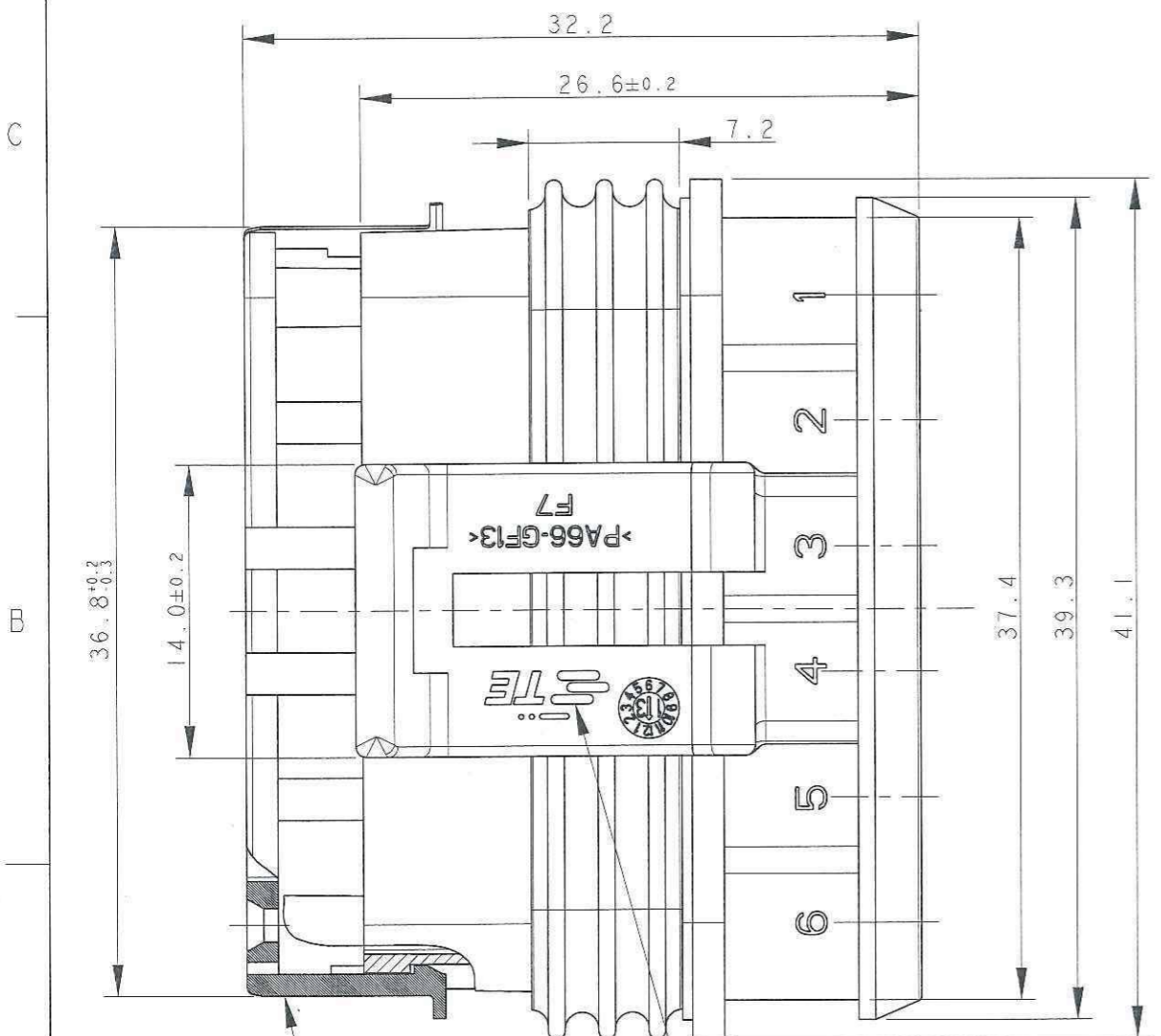
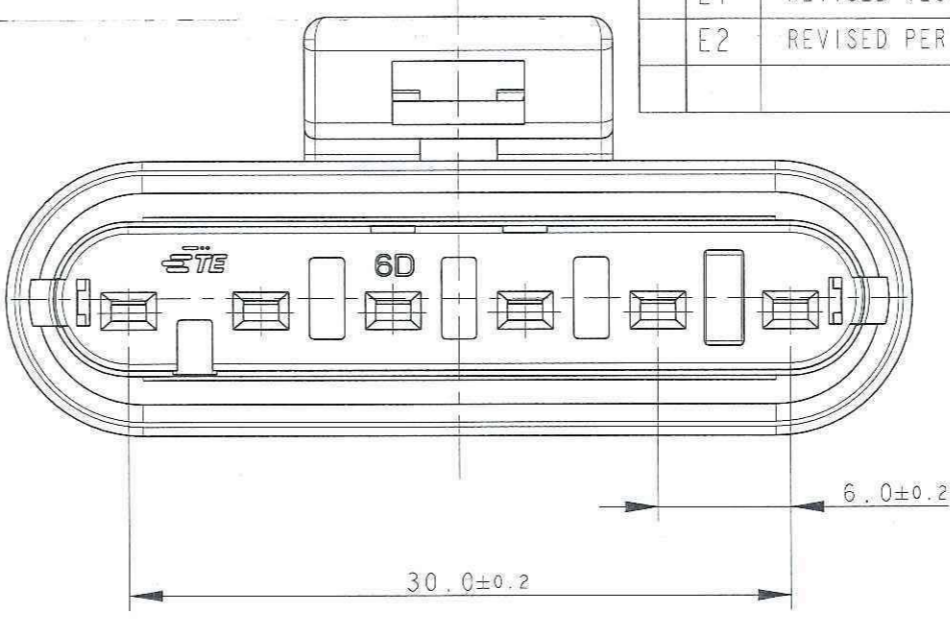
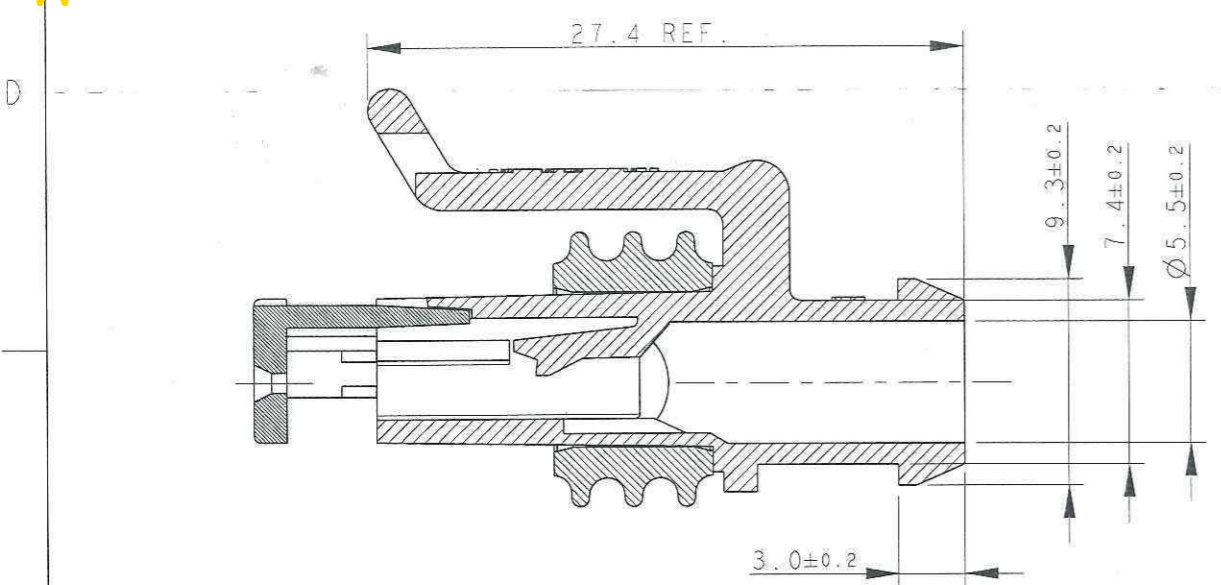


PA 6.6 - GF FILLED ACC. TO IEC 60335-1		NUMERO (PART NUMBER)	
FINITURA / COLORE (FINISH / COLOUR)		MATERIALE (MATERIAL)	
CUSTOMER DWG. FOR REFERENCE ONLY		DISEGNO PER CLIENTE SOLO PER RIFERIMENTO	
THIS DRAWING IS UNPUBLISHED		RELEASE FOR PUBLICATION 19	
© COPYRIGHT 19 BY AMP INCORPORATED, HARRISBURG, PA. ALL INTERNATIONAL RIGHT RESERVED. AMP PRODUCTS MAY BE COVERED BY U.S. AND FOREIGN PATENT AND/OR PATENT PENDING			
TOLLERANZE: SE NON DIVERSAMENTE SPECIFICATO (TOLERANCES, UNLESS OTHERWISE SPECIFIED)		SCALA (SCALE)	
± 0.3		-	
ANGOLI (ANGLES) ± 2°		-	
DIS. M. PALMA (COR.) 11-4-2006		DESCRIZIONE (DESCRIPTION) COUNTERPART FOR 6 POS. REC. HSG. ASSY	
CONT. R. MARTINI (CHK) 11-4-2006		LOC. SIZE NUMERO (DWG NO.) I A3 C-1745085	
APP. A. GENTA (APP.) 11-4-2006		REV. FOGLIO (SHEET) A1 2 OF 2	
REV. (REV.)	REVISIONI (REVISION RECORD)	DIS. DATA (DR DATE)	

DISTRIBUZIONE (PRINT DIST.)



P	LTR	DESCRIPTION	DATE	DWN	A
E		ECR-14-009314	24MAR2015	M. P.	M. G.
E1		REVISED (ECR-15-014031)	25SEP2015	M. G.	M. G.
E2		REVISED PER ECO-17-001706	10FEB2017	C. A.	M. G.



1) FOR COUNTERPART DETAILS, SEE SHEET 2 OF 2

NOTE	FINISH/COLOR	MATERIAL	PART NUMBER
	Black SR-red	HOUSING+SEC. LOCK: PA66-GF SEALING: LSR	282090-1

TE CONNECTIVITY TRADE MARK, (IN ALTERNATIVE: "AMP" LOGO, OR "Tyco Electronics" LOGO)
SEALING (COLOUR YELLOW)
PRE-ASSEMBLED SECONDARY LOCK (COLOUR RED)

THIS DRAWING IS A CONTROLLED DOCUMENT.		DWN C. BERTINI 05-1992	TE Connectivity	
DIMENSIONS: mm		CHK A. BRUNI 05-1992		
TOLERANCES UNLESS OTHERWISE SPECIFIED:		APVD	NAME	
0 PLC ±		PRODUCT SPEC	AMP SUPERSEAL 1.5 SRS.	
1 PLC ±0.3		108-20090	6 POSITIONS PLUG ASS'Y	
2 PLC ±		APPLICATION SPEC	SIZE	CAGE CODE
3 PLC ±		412-20000	A300779	C=282090
4 PLC ±		WEIGHT	RESTRICTED TO	
ANGLES ±2°		6.55gr		
MATERIAL	FINISH	Customer Drawing		
SEE TABLE	SEE TABLE	SCALE 3:1	SHEET 1 OF 2	REV E2