



# Product Change Notification

Current Date: 18-Apr-2019

## TE Connectivity

**Product Change Notification:** E-19-004061

**PCN Date:** 14-APR-19

**Customer:** TTI Inc(0000139702)

**Location:** WORLDWIDE

**Agreement:** Agreement Unknown

TE would like to inform you of the following change(s) to the listed TE Connectivity Product. In case of any further questions about this change(s), please contact your TE Connectivity Sales Engineer. Affected part, drawing and/or specification numbers are listed on the attached sheet(s).

<b>General Product Description:</b>
HOUSING, RECEPTACLE, FASTON, 6.35 [.250] SERIES

<b>Description of Changes</b>
The drawings for the listed part numbers have been modified for clarification; Before: No GWT marking for 2-480416-5 After: GWT marking adding for 2-480416-5
<b>Other attachments:</b>
<a href="#">Markup drawing</a>

<b>Reason for Changes:</b>
Manufacturing / Process Requirements. GWT marking adding for 2-480416-5
<b>Estimated Dates:</b>
<b>Last Order Date</b> (Obsolete Parts Only):
<b>Last Ship Date</b> (Obsolete Parts Only):
<b>First Date To Ship</b> (Changed Parts Only):
<b>Last Date for Mixed Shipments:</b> (Changed Parts Only):

No Mixed Shipments
--------------------

The documents listed below are being modified. Related parts that are not explicitly listed on this PCN are not being modified or discontinued as per the PCN. The Last Order Date, Last Ship Date, First Date to Ship Changed Parts and last date for Mixed Shipments apply only to parts explicitly listed on this PCN.

**Note: This PCN contains only document changes, these changes do not affect the form, fit or function of the parts referenced.**

**Customer Drawing(s) Being Modified:**

Drawing Number	Related Part Number	Customer Part Number	Current Revision	New Revision
<a href="#">480416</a>	1-480416-0, 2-480416-2	TYC1-480416-0	AC11	

**Customer:** TTI Inc ( 3164508 )

**Location:** Fort Worth

**Agreement Number:** Agreement Unknown

The documents listed below are being modified. Related parts that are not explicitly listed on this PCN are not being modified or discontinued as per the PCN. The Last Order Date, Last Ship Date, First Date to Ship Changed Parts and last date for Mixed Shipments apply only to parts explicitly listed on this PCN.

**Customer Drawing(s) Being Modified:**

Drawing Number	Related Part Number	Customer Part Number	Current Revision	New Revision
<a href="#">480416</a>	1-480416-0		AC11	

**Customer:** TTI Inc ( 1281288 )

**Location:** Fort Worth

**Agreement Number:** TTI002

The documents listed below are being modified. Related parts that are not explicitly listed on this PCN are not being modified or discontinued as per the PCN. The Last Order Date, Last Ship Date, First Date to Ship Changed Parts and last date for Mixed Shipments apply only to parts explicitly listed on this PCN.

**Customer Drawing(s) Being Modified:**

Drawing Number	Related Part Number	Customer Part Number	Current Revision	New Revision
<a href="#">480416</a>	1-480416-0		AC11	

**Customer:** TTI Inc. ( 1305175 )

**Location:** Maisach-gernlinden

**Agreement Number:** TTI001

The documents listed below are being modified. Related parts that are not explicitly listed on this PCN are not being modified or discontinued as per the PCN. The Last Order Date, Last Ship Date, First Date to Ship Changed Parts and last date for Mixed Shipments apply only to parts explicitly listed on this PCN.

**Customer Drawing(s) Being Modified:**

Drawing Number	Related Part Number	Customer Part Number	Current Revision	New Revision
<a href="#">480416</a>	1-480416-0	TYC1-480416-0	AC11	

**Customer:** TTI Inc ( 3163150 )

**Location:** Holzwickede

**Agreement Number:** Agreement Unknown

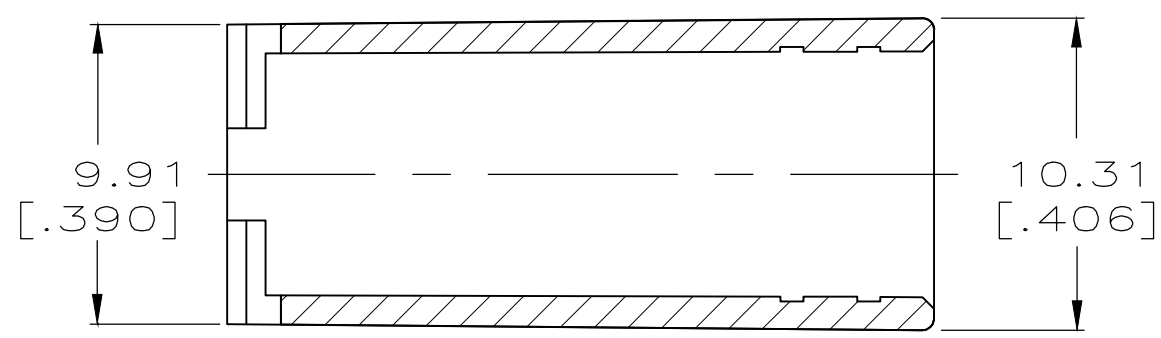
The documents listed below are being modified. Related parts that are not explicitly listed on this PCN are not being modified or discontinued as per the PCN. The Last Order Date, Last Ship Date, First Date to Ship Changed Parts and last date for Mixed Shipments apply only to parts explicitly listed on this PCN.

**Customer Drawing(s) Being Modified:**

Drawing Number	Related Part Number	Customer Part Number	Current Revision	New Revision
<a href="#">480416</a>	2-480416-2		AC11	

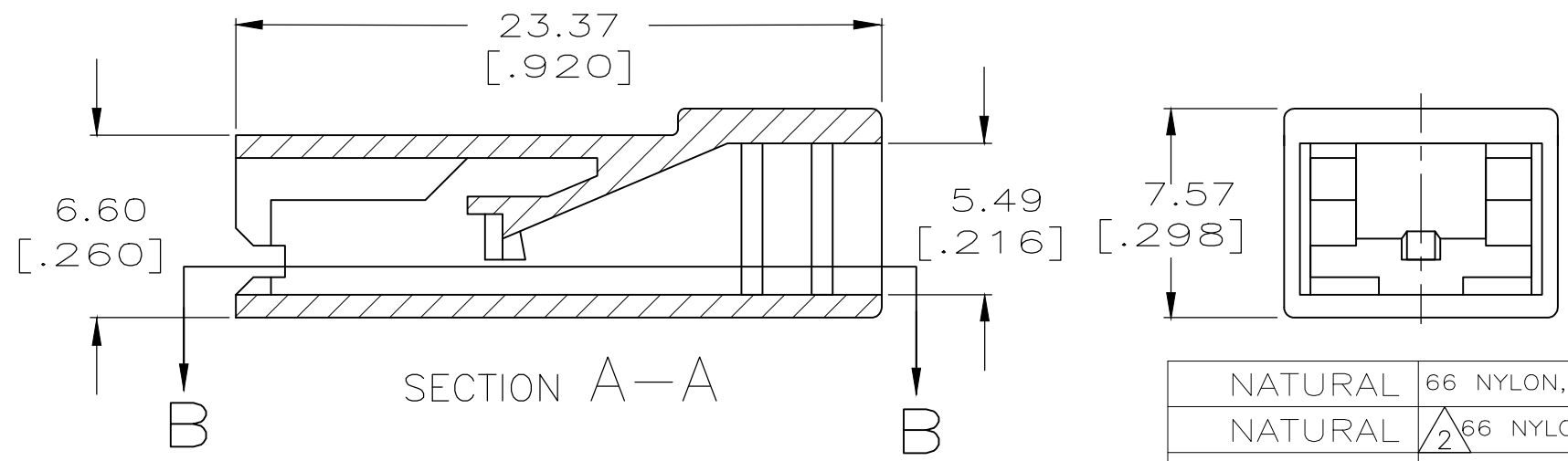
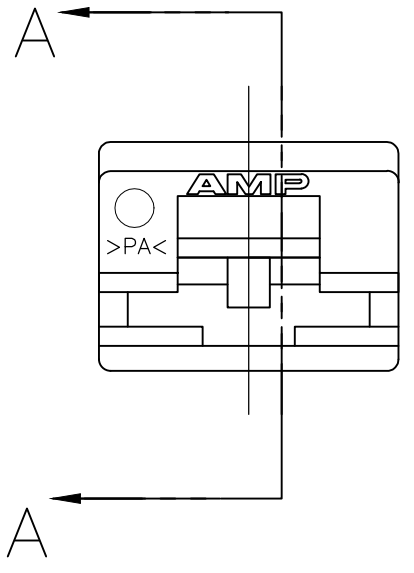
THIS DRAWING IS UNPUBLISHED. RELEASED FOR PUBLICATION  
 © COPYRIGHT - By - ALL RIGHTS RESERVED.

REVISIONS				
P	LTR	DESCRIPTION	DATE	APVD
	AC11	REVISED PER ECR-18-019595	14DEC2018	BKW DS



SECTION B-B

- 1 SPECIAL PACKAGING QUANTITIES.
- 2 POLYAMIDE ACCORDING TO IEC 60335-1, GLOW WIRE.
- 3 PRELIMINARY - NOT FOR PRODUCTION
- 5 CONTACT PRODUCT ENGINEERING FOR TERMINAL RECOMMENDATIONS WHEN USING THIS INSULATOR WITH 10 AWG WIRE



SECTION A-A

SUPERSEDED BY 2-480416-5  
 SUPERSEDED BY 1-480416-0  
 OBSOLETE  
 SUPERSEDED BY 1-480416-0

FINISH	MATERIAL	PART NO
NATURAL	66 NYLON, UL94 V0 150C	2-480416-4
NATURAL	66 NYLON, UL94 V0	2-480416-3
NATURAL	UL94 V2	2-480416-2
NATURAL	6/6 NYLON	2-480416-1
NATURAL	UL94 5VA RATED	2-480416-0
NATURAL	4/6 NYLON UL 150	1-480416-8
NATURAL	66 NYLON, V0	1-480416-7
NATURAL	POLYESTER	1-480416-6
RED	6/6 NYLON	1-480416-4
BLUE		1-480416-3
BLACK		1-480416-1
NATURAL		1-480416-0

2	NATURAL	66 UL NYLON V0 NATURAL	2-480416-5
	BLACK	66/6 V0 BLACK	480416-2
	NATURAL	66/6 V0 NATURAL	480416-1
	FINISH	MATERIAL	PART NO

THIS DRAWING IS A CONTROLLED DOCUMENT.

DWN	JR RUTH	2/4/91
CHK	P FORTNEY	2/4/91
APVD	C MEYERS	2/4/91
PRODUCT SPEC	NAME	
APPLICATION SPEC	HOUSING, RECEPTACLE, FASTON, 6.35 [.250] SERIES	
WEIGHT	SIZE	CAGE CODE
	A3	00779
	DRAWING NO	RESTRICTED TO
	C-480416	-
CUSTOMER DRAWING	SCALE	SHEET
	4:1	1 OF 1
	REV	AC11