



Product Change Notification

Current Date: 18-Apr-2019

TE Connectivity

Product Change Notification: E-18-019533

PCN Date: 17-APR-19

Customer: TTI Inc(0000139702)

Location: WORLDWIDE

Agreement: Agreement Unknown

TE would like to inform you of the following change(s) to the listed TE Connectivity Product. In case of any further questions about this change(s), please contact your TE Connectivity Sales Engineer. Affected part, drawing and/or specification numbers are listed on the attached sheet(s).

General Product Description:

Customer drawing of 770849 (SL156 HSG WITH LOCKING RAMP & POLARIZING TABS)

Description of Changes

There have been no changes to the existing parts, the drawing of 770849 has been modified to show the new product offering.

Other attachments:

[Markup CD 770849 P3 to P4](#)

Reason for Changes:

New Product. The new part numbers are 3/4/5/6/8-770849-2.

Estimated Dates:

Last Order Date (Obsolete Parts Only):

First Date To Ship (Changed Parts Only):

Last Ship Date (Obsolete Parts Only):

Last Date for Mixed Shipments: (Changed Parts Only):

No Mixed Shipments

The documents listed below are being modified. Related parts that are not explicitly listed on this PCN are not being modified or discontinued as per the PCN. The Last Order Date, Last Ship Date, First Date to Ship Changed Parts and last date for Mixed Shipments apply only to parts explicitly listed on this PCN.

Note: This PCN contains only document changes, these changes do not affect the form, fit or function of the parts referenced.

Customer Drawing(s) Being Modified:

Drawing Number	Related Part Number	Customer Part Number	Current Revision	New Revision
770849	1-770849-0, 770849-2	TYC770849-2	P3	

Customer: TTI Inc (3164508)

Location: Fort Worth

Agreement Number: Agreement Unknown

The documents listed below are being modified. Related parts that are not explicitly listed on this PCN are not being modified or discontinued as per the PCN. The Last Order Date, Last Ship Date, First Date to Ship Changed Parts and last date for Mixed Shipments apply only to parts explicitly listed on this PCN.

Customer Drawing(s) Being Modified:

Drawing Number	Related Part Number	Customer Part Number	Current Revision	New Revision
770849	1-770849-0		P3	

Customer: TTI Inc (1281288)

Location: Fort Worth

Agreement Number: TTI002

The documents listed below are being modified. Related parts that are not explicitly listed on this PCN are not being modified or discontinued as per the PCN. The Last Order Date, Last Ship Date, First Date to Ship Changed Parts and last date for Mixed Shipments apply only to parts explicitly listed on this PCN.

Customer Drawing(s) Being Modified:

Drawing Number	Related Part Number	Customer Part Number	Current Revision	New Revision
770849	1-770849-0		P3	

Customer: TTI Inc. (1305175)

Location: Maisach-gernlinden

Agreement Number: TTI001

The documents listed below are being modified. Related parts that are not explicitly listed on this PCN are not being modified or discontinued as per the PCN. The Last Order Date, Last Ship Date, First Date to Ship Changed Parts and last date for Mixed Shipments apply only to parts explicitly listed on this PCN.

Customer Drawing(s) Being Modified:

Drawing Number	Related Part Number	Customer Part Number	Current Revision	New Revision
770849	770849-2	TYC770849-2	P3	

Customer: TTI Electronics Asia Pte Ltd. (2771300)

Location: Singapore

Agreement Number: Agreement Unknown

The documents listed below are being modified. Related parts that are not explicitly listed on this PCN are not being modified or discontinued as per the PCN. The Last Order Date, Last Ship Date, First Date to Ship Changed Parts and last date for Mixed Shipments apply only to parts explicitly listed on this PCN.

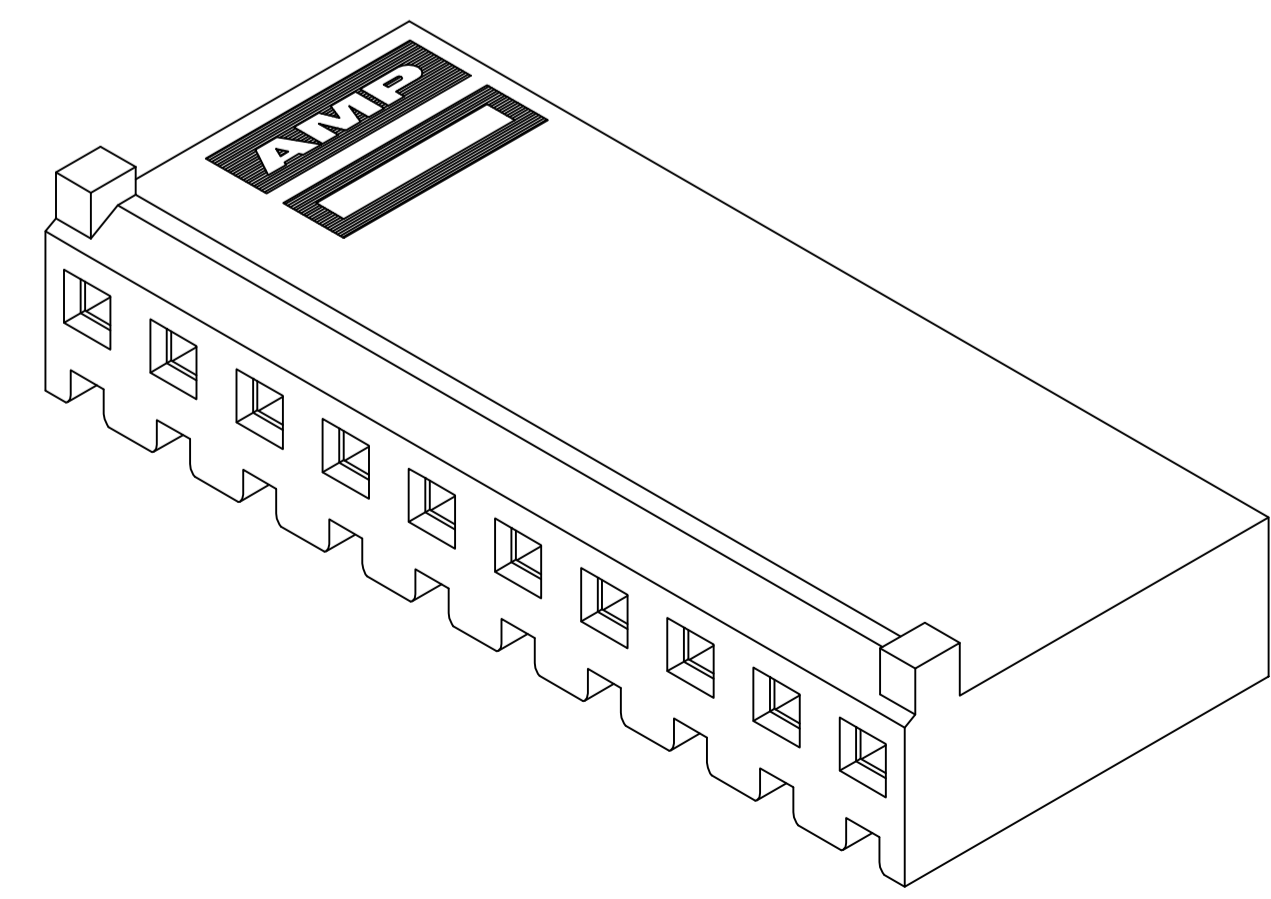
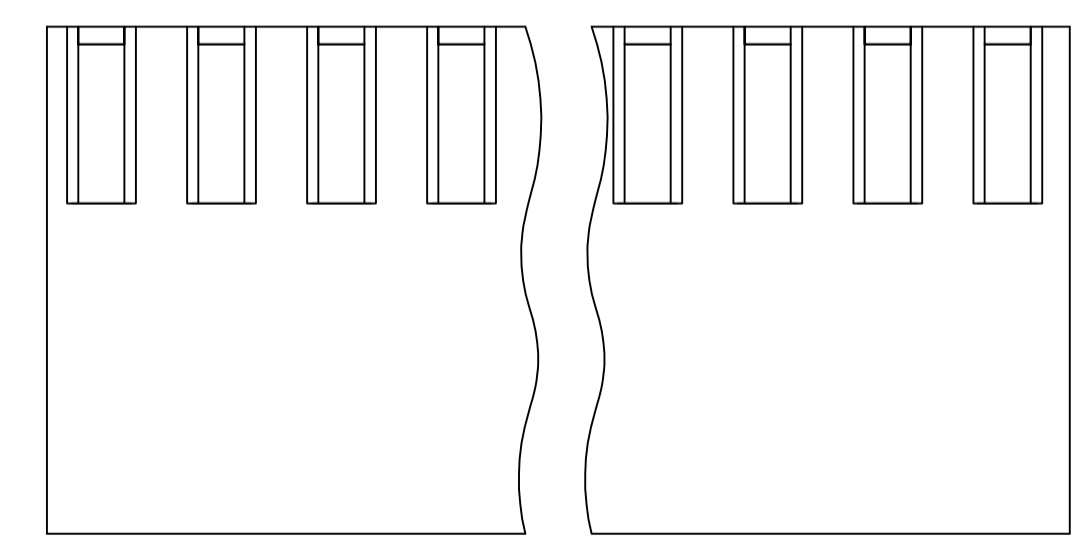
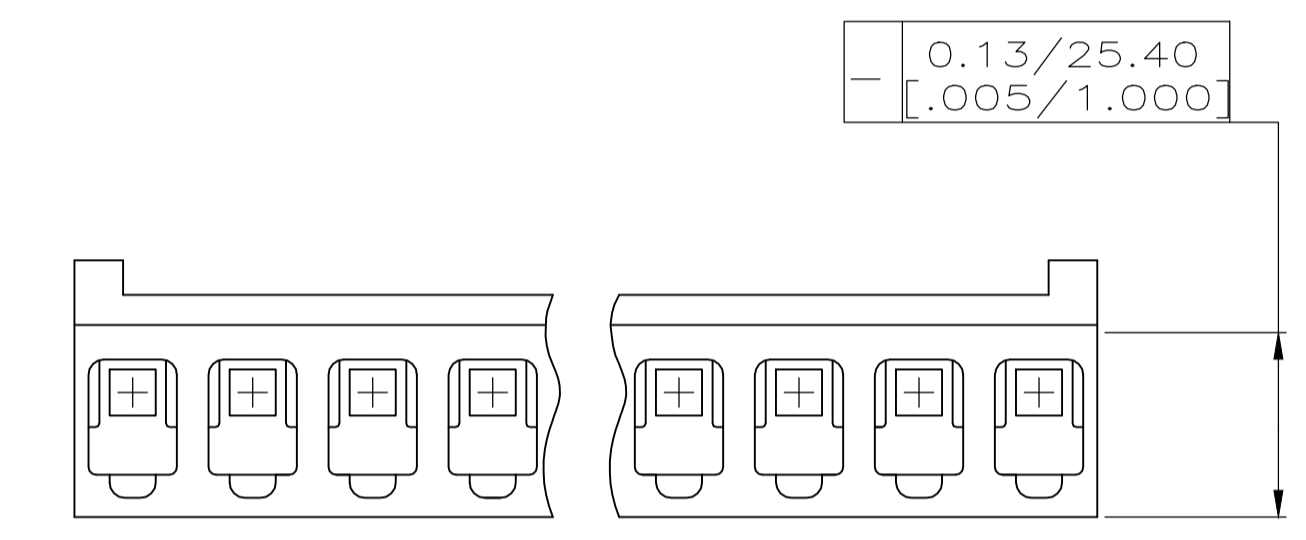
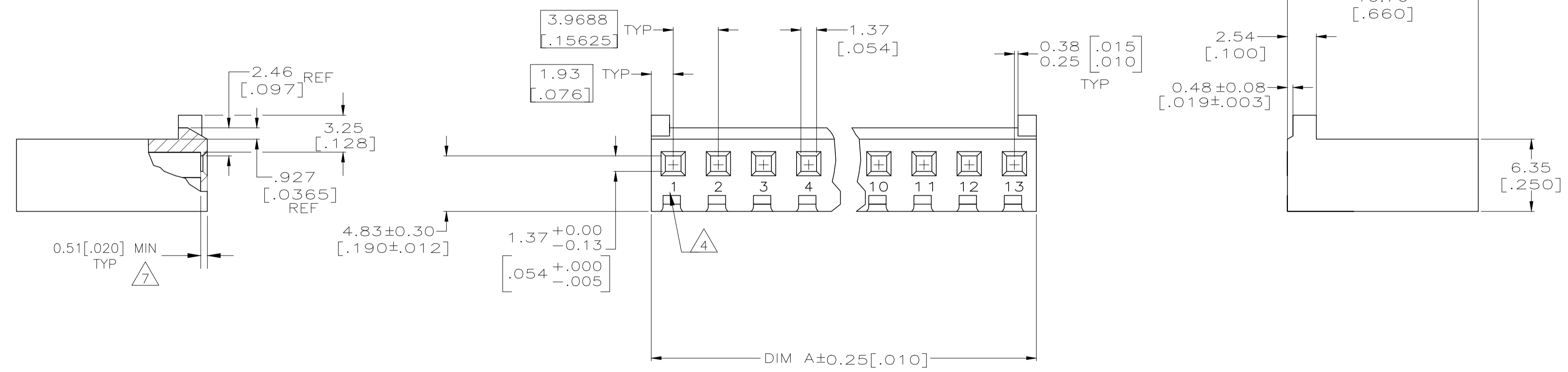
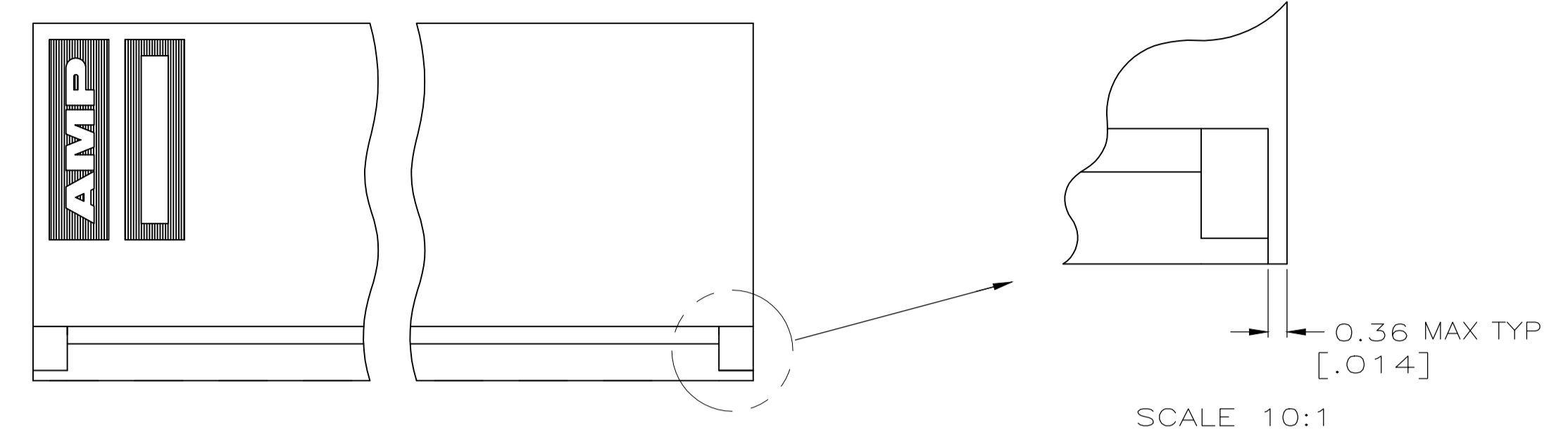
Customer Drawing(s) Being Modified:

Drawing Number	Related Part Number	Customer Part Number	Current Revision	New Revision
770849	770849-2		P3	

LOC		DIST		REVISIONS				
P	LTR	DESCRIPTION	DATE	DMN	APVD			
P3		REVISED PER ECR-18-007590	21JUN2018	BDA	SG			
P4		REVISED PER ECR-18-019533	28MAR2019	SC	D. Z			

- 1 UNIT ACCEPTS 1.14[.045] SQUARE OR ROUND POST.
- 2 UNIT ACCEPTS STANDARD SL-156 CONTACTS.
- 3 UNIT ACCEPTS KEYING PLUG 640254-1 AND KEYING PIN 640255-1.
- 4 IDENTIFICATION NUMBER FOR ALL POSITIONS, OR FOR POSITION 1 ONLY, WILL BE LOCATED AS SHOWN.
- 5 DIMENSIONS IN BRACKETS ARE IN INCHES.
- 6 ~~PARTS UNDERGOING QUALIFICATION TESTING.~~
NO CSA/UR LOGO
- 7 MEETS UL61800-5-1

Flam	RTIe deg C	HWI	HWI	CTI
V0	120C	PLC4	PLC0	PLC0_UL746



COLOR	DIM A	NO OF POSN	PART NUMBER
YELLOW	7.82 [.308]	2	8-770849-2
BROWN	7.82 [.308]	2	7-770849-2
BLUE	7.82 [.308]	2	6-770849-2
RED	7.82 [.308]	2	5-770849-2
GRAY	7.82 [.308]	2	4-770849-2
BLACK	7.82 [.308]	2	3-770849-2
NATURAL	95.15[3.746]	24	2-770849-4
NATURAL	91.19[3.590]	23	2-770849-3
NATURAL	87.20[3.433]	22	2-770849-2
NATURAL	83.24[3.277]	21	2-770849-1
NATURAL	79.27[3.121]	20	2-770849-0
NATURAL	75.31[2.965]	19	1-770849-9
NATURAL	71.30[2.807]	18	1-770849-8
NATURAL	67.34[2.651]	17	1-770849-7
NATURAL	63.40[2.496]	16	1-770849-6
NATURAL	59.44[2.340]	15	1-770849-5
NATURAL	55.45[2.183]	14	1-770849-4
NATURAL	51.49[2.027]	13	1-770849-3
NATURAL	47.52[1.871]	12	1-770849-2
NATURAL	43.56[1.715]	11	1-770849-1
NATURAL	39.57[1.558]	10	1-770849-0
NATURAL	35.61[1.402]	9	770849-9
NATURAL	31.65[1.246]	8	770849-8
NATURAL	27.69[1.090]	7	770849-7
NATURAL	23.70[.933]	6	770849-6
NATURAL	19.74[.777]	5	770849-5
NATURAL	15.77[.621]	4	770849-4
NATURAL	11.81[.465]	3	770849-3
NATURAL	7.82[.308]	2	770849-2

1-770849-3 SHOWN

THIS DRAWING IS A CONTROLLED DOCUMENT.

DIMENSIONS: INCHES	TOLERANCES UNLESS OTHERWISE SPECIFIED:	DIN K SALMON 5-22-91	CHK R SWING 5-22-91	APVD D WORTHINGTON 5-22-91	NAME
0 PLC ± -	1 PLC ± -	2 PLC ± -	3 PLC ± 0.13 [.005]	4 PLC ± -	ANGLES ± -
MATERIAL NYLON,UL 94V-0 NATURAL	FINISH -	WEIGHT	SIZE A1	00779	C=770849
CUSTOMER DRAWING		SCALE 4:1	SHEET 1 OF 1	REV P4	

STE TE Connectivity
HOUSING WITH LOCKING RAMP AND POLARIZING TABS, SL-156