



Product Change Notification

Current Date: 01-Mar-2019

TE Connectivity

Product Change Notification: E-19-002938

PCN Date: 25-FEB-19

Customer: TTI Inc(0000139702)

Location: WORLDWIDE

Agreement: Agreement Unknown

TE would like to inform you of the following change(s) to the listed TE Connectivity Product. In case of any further questions about this change(s), please contact your TE Connectivity Sales Engineer. Affected part, drawing and/or specification numbers are listed on the attached sheet(s).

General Product Description:

Engineering status change : from preliminary to production

Description of Changes

1.go to production. 2. Parts may appear medium colored to light colored and exhibit a marbling effect. (3-173974-6,3-172210-6)

Other attachments:

[172076 Markup](#)

[172075 Markup](#)

[174587 Markup](#)

[172074 Markup](#)

[172210 Markup](#)

[173974 Markup](#)

[174712 Markup](#)

Reason for Changes:	
Manufacturing / Process Requirements. Go to production	
Estimated Dates:	
Last Order Date (Obsolete Parts Only):	First Date To Ship (Changed Parts Only):
Last Ship Date (Obsolete Parts Only):	Last Date for Mixed Shipments: (Changed Parts Only):
	No Mixed Shipments

The documents listed below are being modified. Related parts that are not explicitly listed on this PCN are not being modified or discontinued as per the PCN. The Last Order Date, Last Ship Date, First Date to Ship Changed Parts and last date for Mixed Shipments apply only to parts explicitly listed on this PCN.

Note: This PCN contains only document changes, these changes do not affect the form, fit or function of the parts referenced.

Customer Drawing(s) Being Modified:

Drawing Number	Related Part Number	Customer Part Number	Current Revision	New Revision
172074	172074-1	TYC172074-1	D5	
172075	172075-1	TYC172075-1	E7	
172076	172076-2, 2-172076-1, 172076-1	TYC172076-2	H5	
172210	1-172210-1		E4	
173974	173974-1	TYC173974-1	K7	

Customer: TTI Inc (3164508)

Location: Fort Worth

Agreement Number: Agreement Unknown

The documents listed below are being modified. Related parts that are not explicitly listed on this PCN are not being modified or discontinued as per the PCN. The Last Order Date, Last Ship Date, First Date to Ship Changed Parts and last date for Mixed Shipments apply only to parts explicitly listed on this PCN.

Customer Drawing(s) Being Modified:

Drawing Number	Related Part Number	Customer Part Number	Current Revision	New Revision
172076	172076-1		H5	
173974	173974-1		K7	

Customer: TTI Inc (1281288)

Location: Fort Worth

Agreement Number: TTI002

The documents listed below are being modified. Related parts that are not explicitly listed on this PCN are not being modified or discontinued as per the PCN. The Last Order Date, Last Ship Date, First Date to Ship Changed Parts and last date for Mixed Shipments apply only to parts explicitly listed on this PCN.

Customer Drawing(s) Being Modified:

Drawing Number	Related Part Number	Customer Part Number	Current Revision	New Revision
172074	172074-1		D5	
172075	172075-1		E7	
172076	172076-1		H5	
173974	173974-1		K7	

Customer: Shanghai TTI EElectronics Co Ltd (1405773)

Location: Shanghai

Agreement Number: Agreement Unknown

The documents listed below are being modified. Related parts that are not explicitly listed on this PCN are not being modified or discontinued as per the PCN. The Last Order Date, Last Ship Date, First Date to Ship Changed Parts and last date for Mixed Shipments apply only to parts explicitly listed on this PCN.

Customer Drawing(s) Being Modified:

Drawing Number	Related Part Number	Customer Part Number	Current Revision	New Revision
172074	172074-1		D5	
172076	2-172076-1		H5	

Customer: TTI Inc. (1305175)

Location: Maisach-gernlinden

Agreement Number: TTI001

The documents listed below are being modified. Related parts that are not explicitly listed on this PCN are not being modified or discontinued as per the PCN. The Last Order Date, Last Ship Date, First Date to Ship Changed Parts and last date for Mixed Shipments apply only to parts explicitly listed on this PCN.

Customer Drawing(s) Being Modified:

Drawing Number	Related Part Number	Customer Part Number	Current Revision	New Revision
172074	172074-1	TYC172074-1	D5	
172075	172075-1	TYC172075-1	E7	
172076	172076-2	TYC172076-2	H5	
173974	173974-1	TYC173974-1	K7	

Customer: TTI Electronics Asia Pte Ltd. (2771300)

Location: Singapore

Agreement Number: Agreement Unknown

The documents listed below are being modified. Related parts that are not explicitly listed on this PCN are not being modified or discontinued as per the PCN. The Last Order Date, Last Ship Date, First Date to Ship Changed Parts and last date for Mixed Shipments apply only to parts explicitly listed on this PCN.

Customer Drawing(s) Being Modified:

Drawing Number	Related Part Number	Customer Part Number	Current Revision	New Revision
172076	2-172076-1		H5	
172210	1-172210-1		E4	
173974	173974-1		K7	

Customer: TTI Electronics Asia Pte Ltd. (2771300)

Location: Singapore

Agreement Number: Agreement Unknown

The documents listed below are being modified. Related parts that are not explicitly listed on this PCN are not being modified or discontinued as per the PCN. The Last Order Date, Last Ship Date, First Date to Ship Changed Parts and last date for Mixed Shipments apply only to parts explicitly listed on this PCN.

Customer Drawing(s) Being Modified:

Drawing Number	Related Part Number	Customer Part Number	Current Revision	New Revision
172076	2-172076-1		H5	
172210	1-172210-1		E4	
173974	173974-1		K7	

THIS DRAWING IS UNPUBLISHED.

RELEASED FOR PUBLICATION

DEC ,1979.

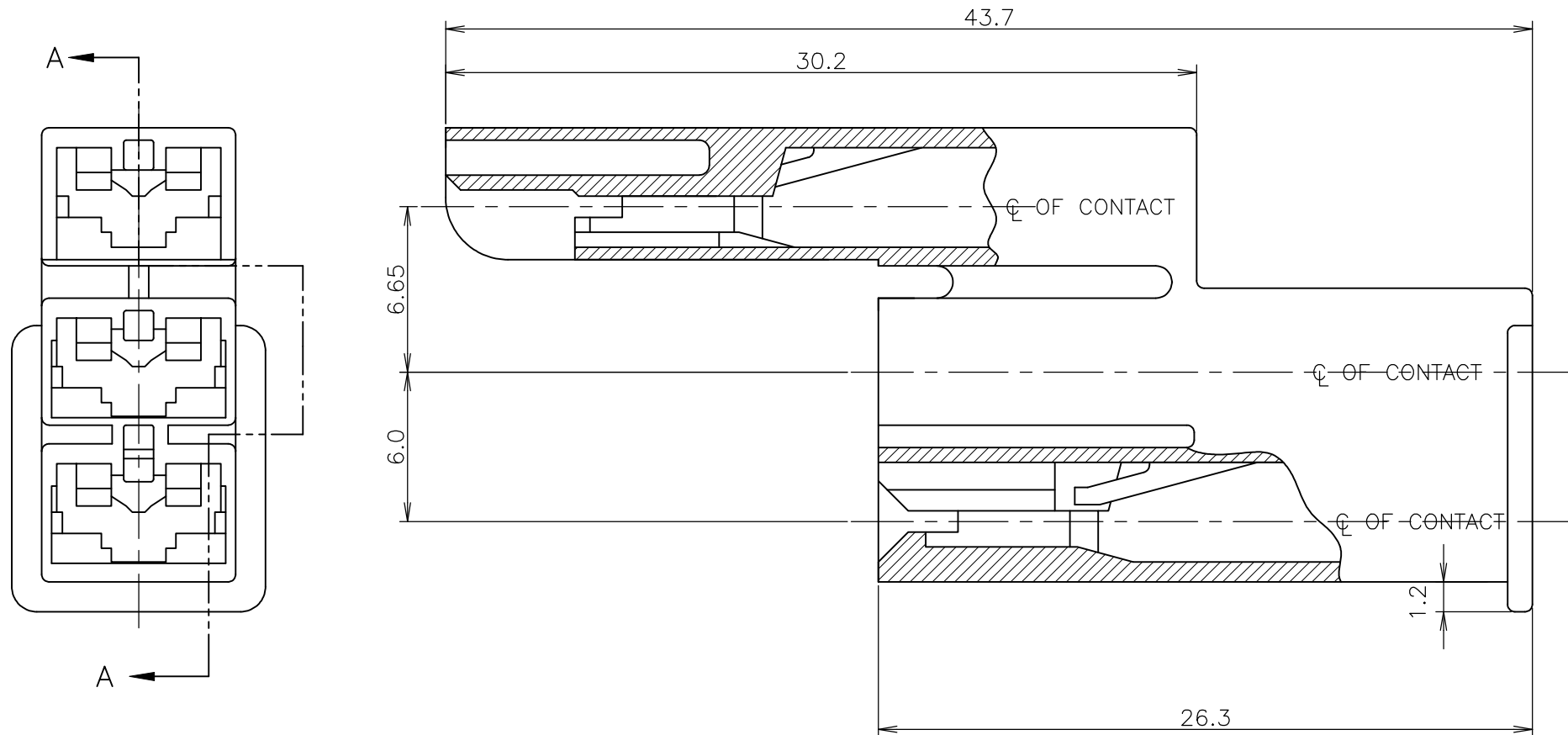
© COPYRIGHT 1979 By Tyco Electronics Japan G.K.

ALL RIGHTS RESERVED.

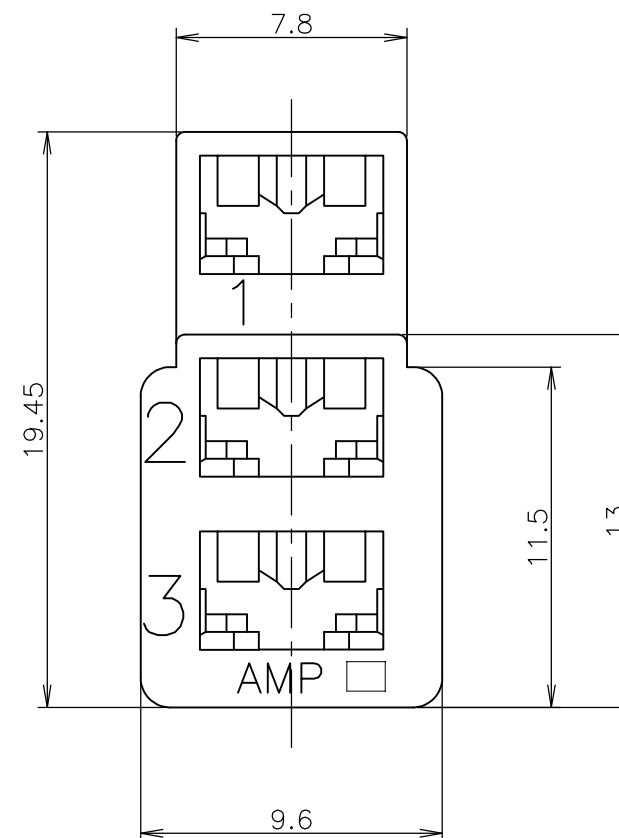
REVISIONS

変更

P	LTR	DESCRIPTION	DATE	DWN	APVD
	E8	REVISED PER ECR-19-002938	22FEB2019	BH	E.W



SECTION A-A



- 1 PRODUCT SPEC : 108-5126
- 2 APPLIED CONTACT P/N : 170324,170325,170326
- 3 THIS CONNECTOR APPLIED FOR 3 POS. MICRO SWITCH.
- 4 SEE CP79-25225 FOR APPLIED TAB.

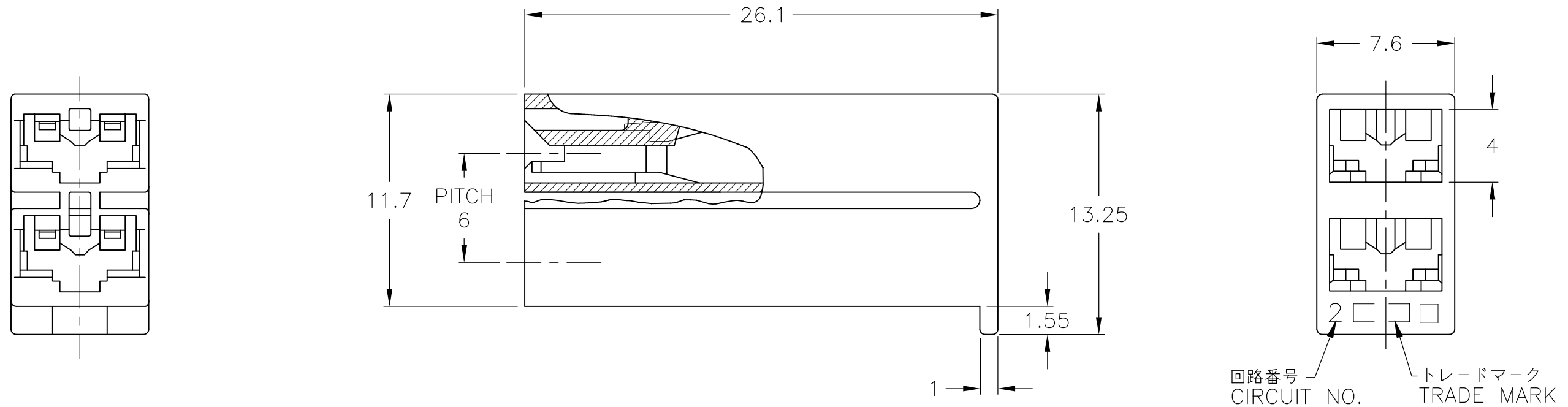
- Ⓐ MATERIAL : 6/6 NYLON (94V-2)
- Ⓑ MATERIAL : 6/6 NYLON (94V-0)
- Ⓒ OBSOLETE PARTS : OBSOLETE CIS STREAMLINING PER D.RENAUD/D.SINISI
- Ⓓ MATERIAL : PA66, UL94 V-0, GWIT 775°C

	2-172075-1	Ⓓ	NATURAL
Ⓒ	OBSOLETE	1-172075-7	Ⓓ (RED)
	1-172075-6	Ⓓ	(BLUE)
Ⓒ	OBSOLETE	1-172075-5	Ⓓ (GREEN)
Ⓒ	OBSOLETE	1-172075-4	Ⓓ (YELLOW)
	1-172075-1	Ⓓ	(NATURAL)
	172075-7	Ⓓ	(RED)
	172075-6	Ⓓ	(BLUE)
OBSOLETE	172075-5	Ⓓ	(GREEN)
	172075-4	Ⓓ	(YELLOW)
	172075-1	Ⓓ	(NATURAL)
	PART NUMBER		(COLOR)

THIS DRAWING IS A CONTROLLED DOCUMENT.		DWN	12DEC1979		STE TE Connectivity		
		CHK	12DEC1979				
		APVD	08APR1980				
		NAME	Y.SATO				
DIMENSIONS: 単位: 耗 mm		TOLERANCES UNLESS OTHERWISE SPECIFIED: 一般公差		NAME 名称			
		0 PLC ±		187 SERIES 3 POS. POSITIVE LOCK			
		1 PLC ± 0.4		MK-II HSG			
		2 PLC ±		187シリーズ 3極ポジティブロック マークII ハウジング			
		3 PLC ±		SIZE		CAGE CODE	DRAWING NO
4 PLC ±		ANGLES ±		A3	00779	C-172075	
MATERIAL 材料 注記参照		FINISH 仕上		WEIGHT		SCALE 尺度 4:1	
Ⓒ SEE NOTES Ⓓ Ⓔ				CUSTOMER DRAWING		SHEET 1 OF 1	
						REV E8	

THIS DRAWING IS UNPUBLISHED. RELEASED FOR PUBLICATION
 © COPYRIGHT - By - ALL RIGHTS RESERVED.

REVISIONS 変更				
P	LTR	DESCRIPTION	DATE	DWN APVD
	E5	REVISED PER ECR-19-002938	22FEB2019	BH E.W



- 1 APPLICABLE CONTACT P/N : 170324-X,170325-X,170326-X
- 2 APPLICABLE MATING PART : LEAD SWITCH (2POS)
- 3 SEE DWG NO. CP80-25075 FOR APPLICABLE TAB DIMENSIONS.

- ④ MATERIAL : 6/6 NYLON (UL94V-2)
- ⑤ MATERIAL : 6/6 NYLON (UL94V-0)
- ⑥ MATERIAL : 6/6 NYLON GLASS FILLED (UL94V-0)
- ⑦ OBSOLETE : 1-172210-5, 172210-5
- ⑧ MATERIAL : PA66, UL94 V-0, GWIT 775°C

⑨ PARTS MAY APPEAR MEDIUM COLORED TO LIGHT COLORED AND EXHIBIT A MARBLING EFFECT.

型番	PART NUMBER	COLOR		
1-172210-7	172210-7	赤色 RED		
1-172210-2	172210-2	黒色 BLACK		
3-172210-6	2-172210-6	1-172210-6	172210-6	青色 BLUE
1-172210-5	1-172210-5	172210-5	緑色 GREEN	
1-172210-4	172210-4	172210-4	黄色 YELLOW	
2-172210-1	1-172210-1	172210-1	自然色 NATURAL	
⑧ ⑨	⑥	⑤ ④	色調 COLOR	

THIS DRAWING IS A CONTROLLED DOCUMENT.		DWN J.SATO 26MAR2008	STE TE Connectivity	
DIMENSIONS: 単位: 耗 mm		CHK S.MANABE 28MAR2008		
TOLERANCES UNLESS OTHERWISE SPECIFIED: 一般公差		APVD S.MANABE 28MAR2008	NAME 名称	
0 PLC ±		PRODUCT SPEC 製品規格	187 SERIES 2POS	
1 PLC ±0.4		APPLICATION SPEC 取付適用規格	POSITIVE LOCK (MARK-II) HOUSING	
2 PLC ±-		WEIGHT	SIZE A3	CAGE CODE 00779
3 PLC ±		CUSTOMER DRAWING	DRAWING NO 番号 C-172210	RESTRICTED TO -
4 PLC ±			SCALE 尺度 4:1	SHEET 1 OF 1
ANGLES ±			REV E5	
MATERIAL 材料 SEE NOTE				

THIS DRAWING IS UNPUBLISHED.

RELEASED FOR PUBLICATION FEB 2002.

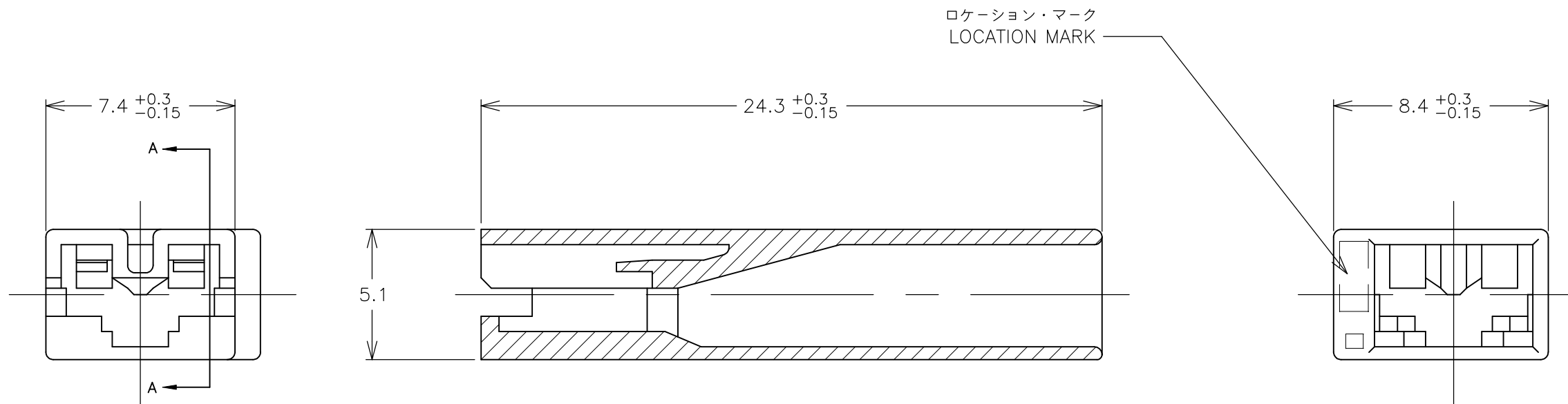
© COPYRIGHT 2002 By Tyco Electronics Japan G.K.

ALL RIGHTS RESERVED.

REVISIONS

変更

P	LTR	DESCRIPTION	DATE	DWN	APVD
	K8	REVISED PER ECR-19-002938	22FEB2019	BH	E.W



断面 A-A (SECT. A-A)

注:

- 1. 適用製品規格: 108-5126
- 2. 本ハウジングに適用するコンタクトは 170324, 170325, 170326である。
- 3. 適用タブ寸法については CP78-26022 を参照のこと。
- ④ 材料: 6/6ナイロン(UL94V-0)
- ⑤ 材料: 4/6ナイロン(UL94V-2)
- ⑥ 材料: 6/6ナイロンガラス入り(UL94V-0)

NOTES:

- 1. PRODUCT SPECIFICATION ; 108-5126
- 2. APPLICABLE CONTACT P/N; 170324, 170325, 170326
- 3. SEE CP78-26022, ABOUT APPLICABLE TAB.
- ④ MATERIAL: 6/6 NYLON (UL94V-0)
- ⑤ MATERIAL: 4/6 NYLON (UL94V-2)
- ⑥ MATERIAL: 6/6 NYLON GLASS FILLED (UL94V-0)
- △ COMPLY WITH GLOW WIRE REQUIREMENT FOR PARTS OF NON-METALLIC MATERIAL SUPPORTING A CURRENT - CARRYING CONNECTION DETAILED IN IEC 60335-1, SECTION 30 (GWT)
- ⑧ PRELIMINARY- NOT FOR PRODUCTION
- ⑨ MATERIAL : PA66, UL 94 V-0, GWIT 775°C

⑩ PARTS MAY APPEAR MEDIUM COLORED TO LIGHT COLORED AND EXHIBIT A MARBLING EFFECT.

	④	④	3-173974-7	RED
	⑩	④	3-173974-6	BLUE
	④	④	3-173974-1	NATURAL
OBSOLETED	④	④④	7-173974-1	(NATURAL)自然色
	④		2-173974-6	(BLUE)青
OBSOLETED	④		2-173974-4	(YELLOW)黄
	④		2-173974-1	(NATURAL)自然色
	④		1-173974-1	(NATURAL)自然色
	④		173974-7	(RED)赤
	④		173974-6	(BLUE)青
	④		173974-5	(GREEN)緑
	④		173974-4	(YELLOW)黄
	④		173974-2	(BLACK)黒
	④		173974-1	(NATURAL)自然色
材料 (MATERIAL)		型番 (P/N)		色調 (COLOR)

THIS DRAWING IS A CONTROLLED DOCUMENT.		DWN	M.SUZUKI	06FEB2002	STE TE Connectivity Ltd.
		CHK	M.SHINDO	06FEB2002	
		APVD	M.SHINDO	06FEB2002	NAME 名称
DIMENSIONS: 単位: 耗 mm		PRODUCT SPEC 製品規格		187 SERIES 1Pos. POSITIVE LOCK MARK-II HOUSING	
TOLERANCES UNLESS OTHERWISE SPECIFIED: 一般公差		APPLICATION SPEC 取付適用規格		187シリーズ 1極 ポジティブロック (マークII) ハウジング	
① PLG ±		SEE NOTE 1		SIZE	A3
② PLC ±0.3				CAGE CODE	00779
③ PLC ±				DRAWING NO 番号	C-173974
④ PLG ±				RESTRICTED TO	-
⑤ ANGLES ±3'				SCALE 尺度	5:1
MATERIAL 材料		WEIGHT		SHEET	1 of 1
SEE TABLE		CUSTOMER DRAWING		REV	K8

NUMBER C-172074

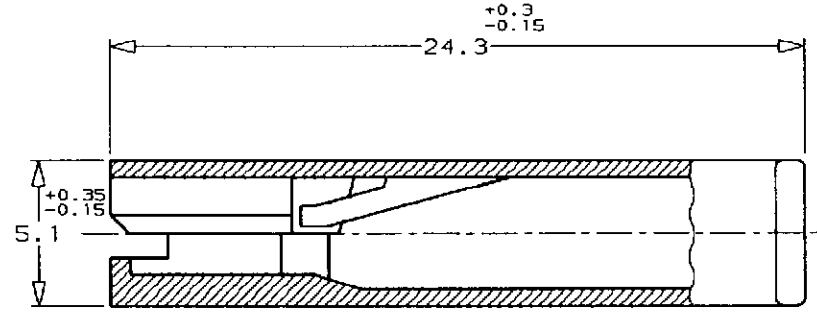
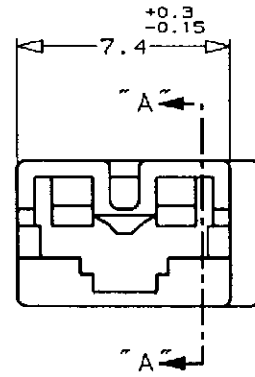


METRIC

PROJECT No. 716-211

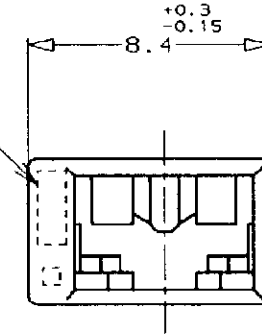
単位: mm DIMENSIONS IN MM. DO NOT SCALE PRINT

PRINT DIST



断面 "A" - "A"
(SECT "A" - "A")

トレード・マーク
(TRADE MARK)



注記:

1. 通用製品規格 ; 108-5126
2. 本ハウジングに使用するコンタクトは 170324, 170325, 170326 である。
3. 適用タブ寸法については CP78-26022 を参照のこと。

NOTES:

1. PRODUCT SPECIFICATION 108-5126
2. APPLICABLE CONTACT P/N ; 170324, 170325, 170326
3. SEE CP78-26022. ABOUT APPLICABLE TAB.

△ COMPLY WITH GLOW WIRE REQUIREMENT FOR PARTS OF NON-METALLIC MATERIAL SUPPORTING A CURRENT CARRYING CONNECTION DETAILED IN IEC 60335-1, SECTION 30 (GWT)

△ MATERIAL: PA66, UL94 V-0, GWIT 775°C

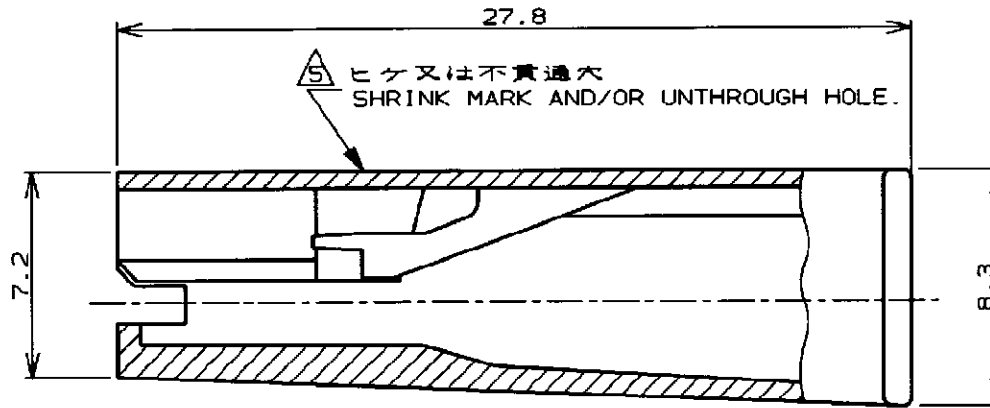
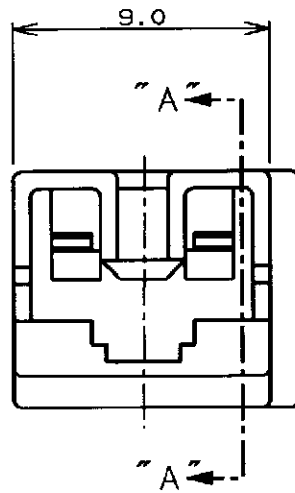
OBSOLETE	△2-172074-1	NATURAL
	△7-172074-1	NATURAL
	172074-7	(RED) 赤
	172074-6	(BLUE) 青
	172074-5	(GREEN) 緑
	172074-4	(YELLOW) 黄
	172074-2	(BLACK) 黒
	172074-1	(NATURAL) 自然色
	型番 (P/N)	色 (COLOR)

TE Connectivity		社名電線断面 (WIRE RANGE)		被覆外径 (INSULATION DIA.)		名称 (NAME)	
		--- mm ² (AWG) ---		--- mmφ ---		187 シリーズ 1極 ポジティブロック (マークII) ハウジング 187 SERIES 1 Pos POSITIVE LOCK (MK-II) HOUSING	
材料 (MATERIAL)		仕上 (FINISH)		一般公差 (GENERAL TOLERANCE)		LOC 番号 (No.)	
6/6 ナイロン (94V-2) 6/6 NYLON (94V-2)		---		10以下: ±0.2 10を超え 30以下: ±0.25 30を超え 100以下: ±0.3 角 度: ±3°		B J C-172074	
DR. N. NAGASHIMA		DE. M. SUZUKI		尺度 (SCALE)		REV. SHEET	
14.NOV.'94		14.NOV.'94		4-1		D6 1 OF 1	
CHK. M. SUZUKI		APP. H. TAGUTI					

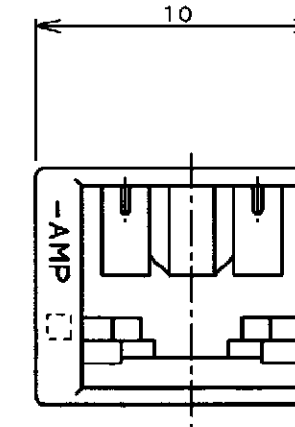
D6	REVISED PER ECR-19-002938	BH	E.W.	22FEB 2019
D5	REVISED PER ECR-18-015822	BH	E.W.	22NOV 2018
LTR	変更 (REVISION RECORD)	DR	CHK	DATE

参 考 図 面

NUMBER C-172076



断面 "A" - "A"
(SECT "A" - "A")



NOTES;

- PRODUCT SPECIFICATION 108-5127
- APPLICABLE CONTACT
P/N ; 170327, 170328, 170329
- SEE CP78-26023. ABOUT APPLICABLE TAB.
- MATERIAL ; 6/6 NYLON (94V-0)
- THERE ARE A FEW CASES THAT SHRINK MARK AND/OR UNTHROUGH HOLE OCCURS IN THIS AREA, BUT NOT INFLUENCE TO CONN, FUNCTION.
- COMPLY WITH GLOW WIRE REQUIREMENT FOR PARTS OF NON-METALLIC MATERIAL SUPPORTING A CURRENT CARRYING CONNECTION DETAILED IN IEC 60335-1, SECTION 30 (GWT), (GWT, UL94V-0)
- MATERIAL: PA66, UL94 V-0, GWIT 775°C

OBSOLETE

3-172076-1	NATURAL	
7-172076-1	NATURAL	
2-172076-7	(RED) 赤	
2-172076-6	(BLUE) 青	
2-172076-5	(GREEN) 緑	
2-172076-4	(YELLOW) 黄	
2-172076-2	(BLACK) 黒	
2-172076-1	(NATURAL) 自然色	
172076-7	(RED) 赤	
172076-6	(BLUE) 青	
172076-5	(GREEN) 緑	
172076-4	(YELLOW) 黄	
172076-2	(BLACK) 黒	
172076-1	(NATURAL) 自然色	
型番 (P/N)	色 (COLOR)	注 (NOTE)

単位: mm DIMENSIONS IN MM. DO NOT SCALE PRINT

PRINT DIST

REV	DESCRIPTION	DATE	DWN	APVD
H6	REVISED PER ECR-19-002938	25FEB'19	BH	E.W

TE Connectivity		
配線電線断面積 (WIRE RANGE) --- mm ² (AWG -)	被覆外径 (INSULATION DIA.) --- mmφ	名称 (NAME) 250 シリーズ 1極 ポジティブロック (マークII)ハウジング 250 SERIES 1 Pos POSITIVE LOCK (MK-II) HOUSING
材料 (MATERIAL) 6/6ナイロン (94V-2) 6/6 NYLON (94V-2)	仕上 (FINISH) ---	一般公差 (GENERAL TOLERANCE) 10以下: ±0.2 10を超え 30以下: ±0.25 30を超え 100以下: ±0.3 角 度: ±3°
DR. M. SUZUKI 17. JAN. '95 CHK. H. TAGUTCH 20. JAN. '95	DE. M. SUZUKI 17. JAN. '95 APP. H. TAGUTCH 20. JAN. '95	LOC 番号 (No.) B J C-172076 尺度 (SCALE) 4-1 REV. H6 SHEET 1 OF 1

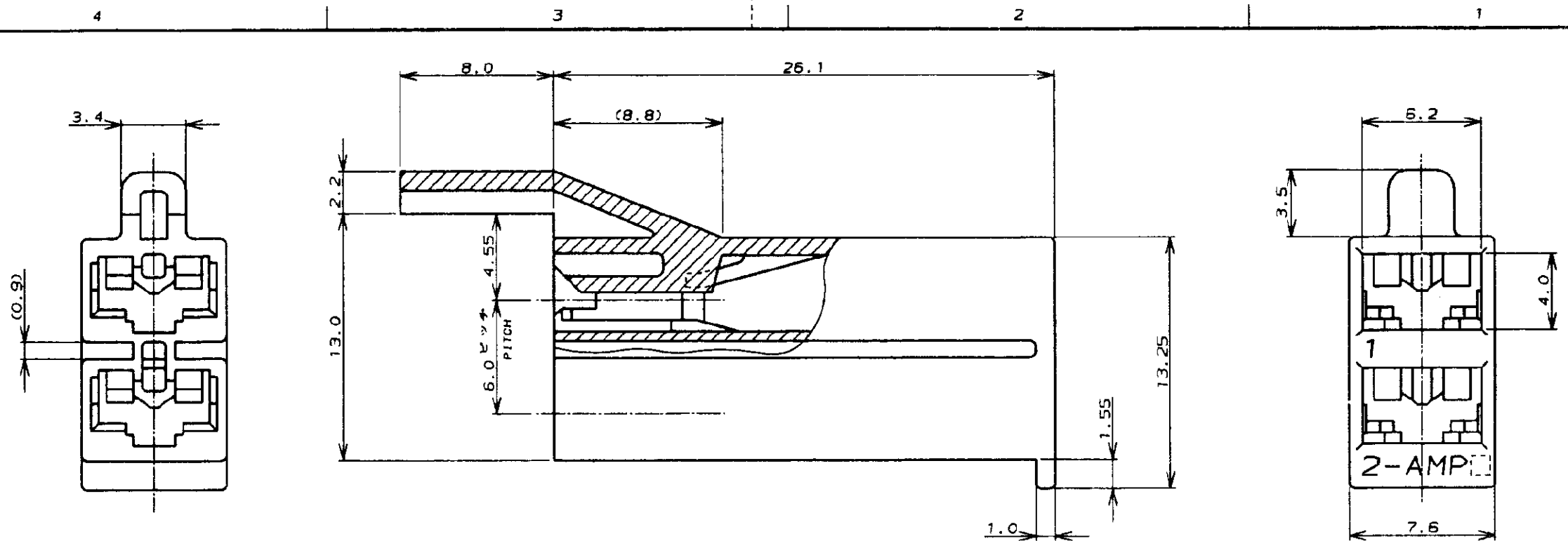
NUMBER C-174587



METRIC

単位/寸法 DIMENSIONS IN MM, DO NOT SCALE PRINT

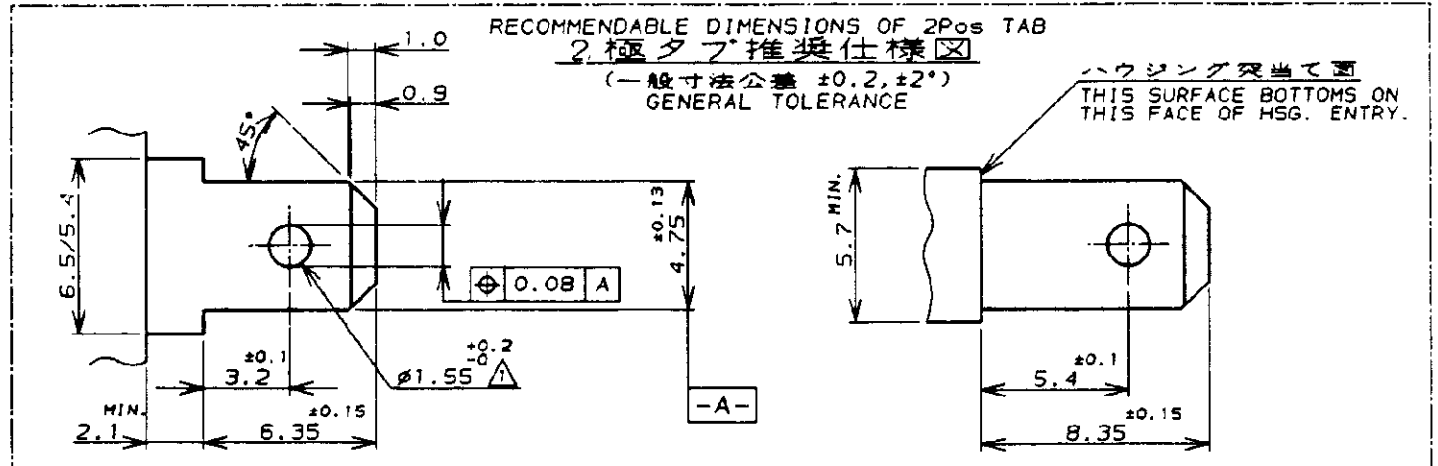
PRINT DIST



RECOMMENDABLE DIMENSIONS OF 2Pos TAB
2極タブ推奨仕様図

(一般寸法公差 ±0.2, ±2°)
GENERAL TOLERANCE

ハウジング突当て面
THIS SURFACE BOTTOMS ON
THIS FACE OF HSG. ENTRY.



(A) : タブショルダーを突当てとする場合
SHOULDERED TYPE TAB

(B) : 部品樹脂部を突当てとする場合
MOLD TYPE TAB

- 注記:
- △ タブ穴はバリがなく、穴縁部のダレは 0.08 以下であること。
 - 2. タイプ (B) 仕様図の指示なき寸法部はタイプ (A) と共通とする。

- NOTES:
- △ NO BURRS ARE ALLOWED ON THE TAB HOLE EDGES, AND THE SHEAR DROOP SHALL NOT EXCEED 0.08mm.
 - 2. FOR THE DIMENSION NOT SHOWN IN TYPE (B) TAB DWG. APPLY THE COMMON DIMENSION SHOWN IN TYP (A) TAB DWG.

注記:

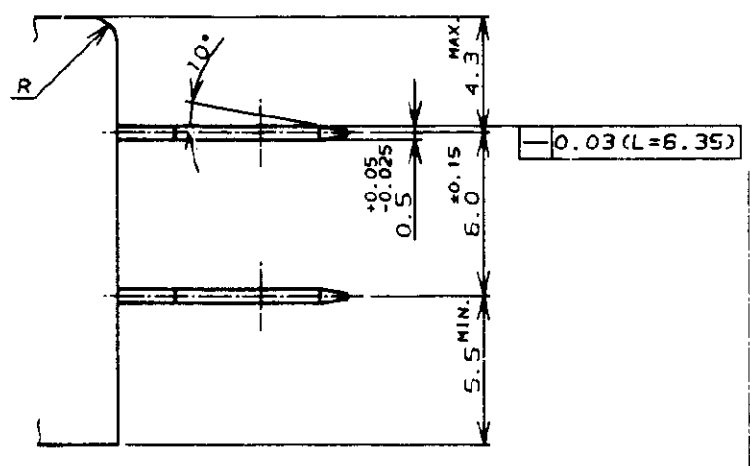
- 1. 通用製品規格: 108-5126
- 2. 通用コンタクト製品番号: 170324-1, 170325-1, 170326-1
- 3. 本コネクタは、左図に示す仕様の2極タブに適合する。
- △ 材料: 6/6 ナイロン (UL94V-0)
- △ 材料: 6/6 ナイロン (UL94V-2)

NOTES:

- 1. PRODUCT SPEC, 108-5126
- 2. APPLIED CONTACT P/N: 170324-1, 170325-1, 170326-1
- 3. THIS CONNECTOR APPLIED FOR 2Pos. TAB. (SEE DETAIL)
- △ MATERIAL: 6/6 NYLON (UL94V-0)
- △ MATERIAL: 6/6 NYLON (UL94V-2)
- △ OBSOLETE PARTS: OBSOLETE CIS STREAMLINING PER D.RENAUD/D.SINISI
- △ MATERIAL: PA66, UL94 V-0, GWIT 775°C

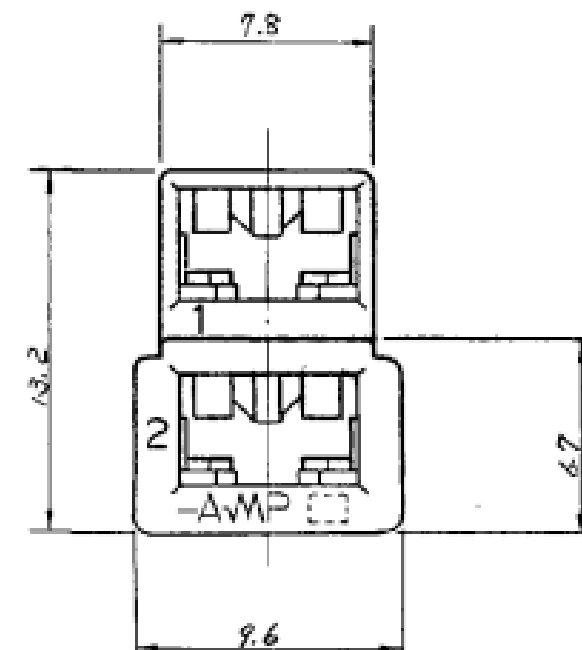
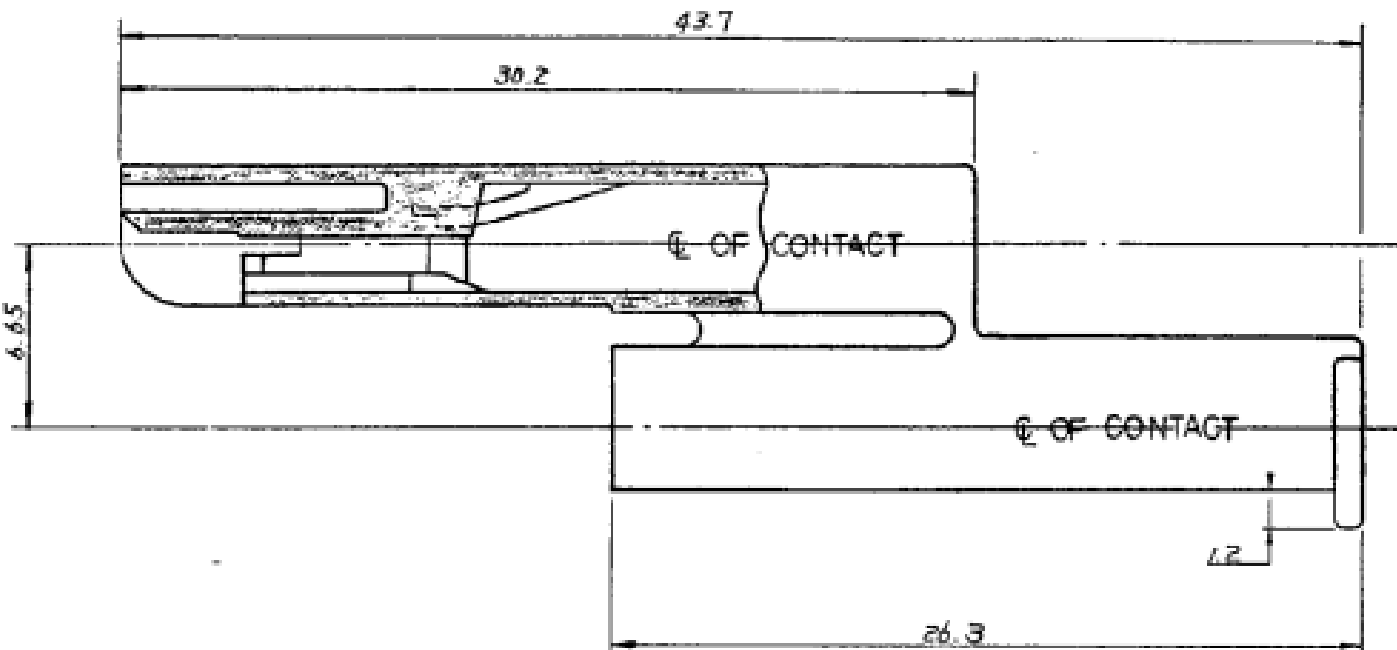
△ 6 OBSOLETE

△	NATURAL	2-174587-1
△	赤 (RED)	1-174587-7
△	青 (BLUE)	1-174587-6
△	緑 (GREEN)	1-174587-5
△	黄 (YELLOW)	1-174587-4
△	自然色 (NATURAL)	1-174587-1
△	黄 (YELLOW)	1-174587-1
△	自然色 (NATURAL)	174587-1
備考 (REMARKS)	色 (COLOR)	型番 (P/N)



Copyright ©1987年 AMP (Japan), LTD. ALL RIGHTS RESERVED.				Copyright ©1987 AMP (Japan), LTD. ALL RIGHTS RESERVED.		AMP 日本エー・エム・ピー株式会社 Tokyo, Japan	
C5	REVISED PER ECR-19-002938	BH	E.W	25FEB 2019	電線範囲 (WIRE RANGE)	絶縁外径 (INSULATION DIA.)	名称 (NAME)
C4	REVISED PER ECR-18-015822	BH	E.W	21NOV 2018	mm ² (AWG -)	mmφ	187 SERIES POSITIVE LOCK (MA- []) 2Pos. HSG.
C3	REVISED PER ECR-18-006574	BH	RP	30MAY 2018	材料 (MATERIAL)	仕上 (FINISH)	187 シリーズ ポジティブロック (マーク)
C2	REVISED PER ECO-10-000444	KK	AEGJAN10		注参照 △△ SEE NOTES		2極 ハウジング 確性ガイド付
C1	REDRAWN W/O CHANGE FJOC-1704-04	DR.	19DEC '94				一般公差 (GENERAL TOLERANCE)
LTR	変更 (REVISION RECORD)	DR	CHK	DATE	CHK.	APP.	10mmφ: ±0.2 15mmφ & 30mmφ: ±0.25 30mmφ & 100mmφ: ±0.3 角: ±0.3
				LOC		番号 (No.)	
				B J		C-174587	
				尺度 (SCALE)		REV.	
				4-1		C5	
				SHEET		1 OF 1	

AMP (Japan) Ltd.
ALL RIGHTS RESERVED AMP
PRODUCTS COVERED BY PATENTS
AND/OR PATENTS PENDING



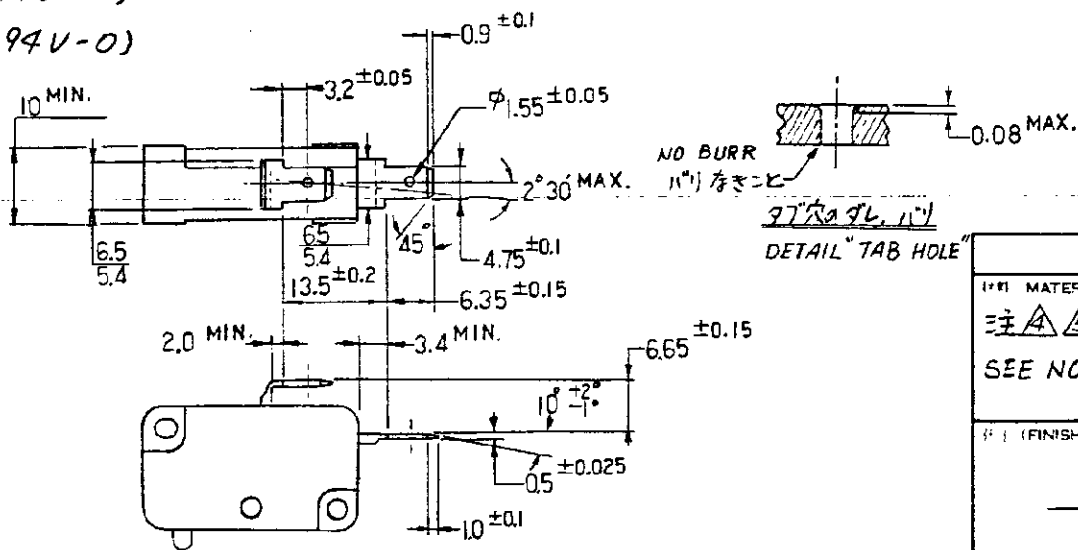
NOTES:

- PRODUCT SPEC : 108-5126
- APPLIED CONTACT P/N : 170324, 170325, 170326
- THIS CONNECTOR APPLIED FOR 2Pos. MICRO SWITCH.5.
- MATERIAL: 1/8 NYLON (94V-2)
- MATERIAL: 1/8 NYLON (94V-0)
- OBSOLETE PARTS: OBSOLETE CIS STREAMLINING PER D.RENAUD/D.SINISI

- 注:
- 適用製品規格 108-5126
 - 本ハウジングに使用するコンタクトは 170324, 170325, 170326 である。
 - 本コネクタはマイクロスイッチ(2極)に適合する。(タブ寸法は下図)
 - 材料: 1/8 ナイロン (94V-2)
 - 材料: 1/8 ナイロン (94V-0)

断面 A-A
SECT.

MATERIAL: PA66, UL94 V-0, GWIT 775°C



	1-174712-7	赤 (RED)
	1-174712-6	青 (BLUE)
△ OBSOLETE	1-174712-4	黄 (YELLOW)
	1-174712-1 △	自然色 (NATURAL)
△ OBSOLETE	1-174712-6 △	青 (BLUE)
	2-1747142-1 △	NATURAL
	174712-1 △	自然色 (NATURAL)
	型番 (P/N)	色 (COLOR)

E4	REVISED PER ECR-19-002938	BH	RP	22FEB 2019
E3	REVISED PER ECR-18-015569	BH	RP	22OCT 2018
E2	REVISED PER ECR-18-006574	BH	RP	30MAY 2018
E1	REV PER ECO-10-000444	KK	AEG	JAN10
E	変更 FJ00-2110-95	MS	MS	1/25
D	材料追加 (J-0407)	MS	MS	10/16/91
C1	変更 (J-13148)	MS	MS	3/29/91
C	青色追加 (J-12097)	MS	MS	9/4/89
B	変更 (ECN J-10197)	MS	MS	1/20/87
A	変更	MS	MS	8/20/87
O	作成	MS	MS	8/22/87
LTR	REVISION RECORD	DR.	CHK	DATE

(MATERIAL)	注 △ △ 参照	公差	TOLERANCE	± 0.4
(FINISH)	SEE NOTES △ △	EXCEPT	AS NOTED	±
DR.	Y. Fujita 6/20/87	CHK		
DE.	Y. Fujita 6/20/87	APP.		

AMP		日本アイ・エルピー株式会社 TOKYO, JAPAN	
187 SERIES 2Pos. POSITIVE LOCK (MARK-II) HSG			
187シリーズ2極 ポジティブロック(マークII)ハウジング			
SIZE	LOC.	#1 (NO.)	
B	J	C-174712	
(SCALE)	REV.	SHEET	
4-1	E4		

DIMENSIONS IN IN. DO NOT SCALE PRINT