



Product Change Notification

Current Date: 23-Oct-2018

TE Connectivity

Product Change Notification: E-18-012818

PCN Date: 13-AUG-18

Customer: TTI Inc(0000139702)

Location: WORLDWIDE

Agreement: Agreement Unknown

TE would like to inform you of the following change(s) to the listed TE Connectivity Product. In case of any further questions about this change(s), please contact your TE Connectivity Sales Engineer. Affected part, drawing and/or specification numbers are listed on the attached sheet(s).

General Product Description:
AMP SUPERSEAL 1.5 SRS. 3 POSITIONS PLUG ASS'Y

Description of Changes
Assy need to update view only showing Brazilian production
Other attachments:
ECR form
ECR form

Reason for Changes:
Product Improvement. New tool addition for Brazilian production
Estimated Dates:
Last Order Date (Obsolete Parts Only):
First Date To Ship (Changed Parts Only):

Last Ship Date (Obsolete Parts Only):	Last Date for Mixed Shipments: (Changed Parts Only):
	No Mixed Shipments

The documents listed below are being modified. Related parts that are not explicitly listed on this PCN are not being modified or discontinued as per the PCN. The Last Order Date, Last Ship Date, First Date to Ship Changed Parts and last date for Mixed Shipments apply only to parts explicitly listed on this PCN.

Note: This PCN contains only document changes, these changes do not affect the form, fit or function of the parts referenced.

Customer Drawing(s) Being Modified:

Drawing Number	Related Part Number	Customer Part Number	Current Revision	New Revision
282087	282087-1	TYC282087-1	C3	

Customer: TTI Inc (1281288)

Location: Fort Worth

Agreement Number: Agreement Unknown

The documents listed below are being modified. Related parts that are not explicitly listed on this PCN are not being modified or discontinued as per the PCN. The Last Order Date, Last Ship Date, First Date to Ship Changed Parts and last date for Mixed Shipments apply only to parts explicitly listed on this PCN.

Customer Drawing(s) Being Modified:

Drawing Number	Related Part Number	Customer Part Number	Current Revision	New Revision
282087	282087-1		C3	

Customer: TTI Inc. (1305175)

Location: Maisach-gernlinden

Agreement Number: TTI001

The documents listed below are being modified. Related parts that are not explicitly listed on this PCN are not being modified or discontinued as per the PCN. The Last Order Date, Last Ship Date, First Date to Ship Changed Parts and last date for Mixed Shipments apply only to parts explicitly listed on this PCN.

Customer Drawing(s) Being Modified:

Drawing Number	Related Part Number	Customer Part Number	Current Revision	New Revision
282087	282087-1	TYC282087-1	C3	

Customer: TTI Electronics Asia Pte Ltd. (2771300)

Location: Singapore

Agreement Number: Agreement Unknown

The documents listed below are being modified. Related parts that are not explicitly listed on this PCN are not being modified or discontinued as per the PCN. The Last Order Date, Last Ship Date, First Date to Ship Changed Parts and last date for Mixed Shipments apply only to parts explicitly listed on this PCN.

Customer Drawing(s) Being Modified:

Drawing Number	Related Part Number	Customer Part Number	Current Revision	New Revision
282087	282087-1		C3	

Customer: TTI Inc (168830)

Location: Fort Worth

Agreement Number: Agreement Unknown

The documents listed below are being modified. Related parts that are not explicitly listed on this PCN are not being modified or discontinued as per the PCN. The Last Order Date, Last Ship Date, First Date to Ship Changed Parts and last date for Mixed Shipments apply only to parts explicitly listed on this PCN.

Customer Drawing(s) Being Modified:

Drawing Number	Related Part Number	Customer Part Number	Current Revision	New Revision
282087	282087-1		C3	

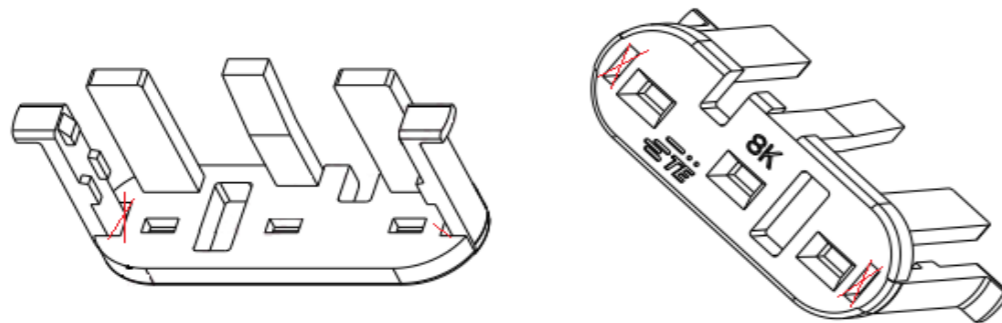
PCN No.
 PCN Category
 Category of change
 OEM / CAM informed
 Part Number
 New Revision
 Drawing Number
New Revision
 General Product Description
 Estimated First Date for samples
 Estimated First Date to Ship (Changed part only)
 Estimated Last Date of Mixed Shipment
 Estimated Last Order Date (Obsolete Parts Only)
 Estimated Last Ship Date (Obsolete Parts Only)

E-18-012818						
New Tool						
New Product Introduction						
Yes						
NA						
NA						
282087						
C4						
AMP SUPERSEAL 1.5 SRS. 3 POSITIONS PLUG ASS'Y						
NA						
NA						
NA						
NA						
NA						

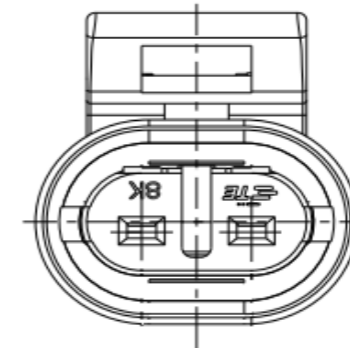
The information under column - Potential Impact for customer, is ment as a non binding guideline only.
 The customer has to do its own evaluation of the potential impact the change described in the Product Change Notification will have for him.

Picture:

282074 part removed feature for Brazilian production as shown below snap



As per 282074 part removed feature for Brazilian production 282087 Customer Drawing below view need update



View showing only for Brazilian production

Potential Impact for Customer	Product Type	Change Type	Kind of Change	Change Feature	Remark / Free text
-------------------------------	--------------	-------------	----------------	----------------	--------------------

		x	Connector	x	Drawing	x	Drawing Change				As per 282074 part removed feature for Brazilian production 282087 Customer Drawing below view need update
--	--	---	-----------	---	---------	---	----------------	--	--	--	------------------------------------------------------------------------------------------------------------