



Product Change Notification

Current Date: 03-Apr-2018

TE Connectivity

Product Change Notification: E-18-003633

PCN Date: 25-MAR-18

Customer: TTI Inc(0000139702)

Location: WORLDWIDE

Agreement: Agreement Unknown

TE would like to inform you of the following change(s) to the listed TE Connectivity Product. In case of any further questions about this change(s), please contact your TE Connectivity Sales Engineer. Affected part, drawing and/or specification numbers are listed on the attached sheet(s).

General Product Description:

HDC16-9, HD10 Series Dust Cap,.

Description of Changes

Note 2 will change regarding material. This is a drawing change only, material will not change.

Other attachments:

Proposed Drawing, Revision F1

Current Drawing Revision F
--

Proposed Drawing, Revision F1

Current Drawing Revision F
--

Reason for Changes:

Document Clarification. Dear Customer, in an effort to continuously improve our product documentation, TE-ICT is updating information to the product drawings to help you, the Customer. The information we are updating is the material callout in note 2 from Material Housing: PA 15%GF (GREY); O-RING: SILICONE (RED) to Housing: PA66 GF10 (GRAY); O-RING: VMQ (RED). IMPORTANT: This is documentation clarification only and does not affect part fit, form, or function. All products in stock and in field are not affected and can be used interchangeably in the field.

Estimated Dates:	
Last Order Date (Obsolete Parts Only):	First Date To Ship (Changed Parts Only):
Last Ship Date (Obsolete Parts Only):	Last Date for Mixed Shipments: (Changed Parts Only):
	No Mixed Shipments

The documents listed below are being modified. Related parts that are not explicitly listed on this PCN are not being modified or discontinued as per the PCN. The Last Order Date, Last Ship Date, First Date to Ship Changed Parts and last date for Mixed Shipments apply only to parts explicitly listed on this PCN.

Note: This PCN contains only document changes, these changes do not affect the form, fit or function of the parts referenced.

Customer Drawing(s) Being Modified:

Drawing Number	Related Part Number	Customer Part Number	Current Revision	New Revision
HDC16-9	HDC16-9		F	

Customer: TTI Inc. (1305175)

Location: Maisach-Gernlinden

Agreement Number: Agreement Unknown

The documents listed below are being modified. Related parts that are not explicitly listed on this PCN are not being modified or discontinued as per the PCN. The Last Order Date, Last Ship Date, First Date to Ship Changed Parts and last date for Mixed Shipments apply only to parts explicitly listed on this PCN.

Customer Drawing(s) Being Modified:

Drawing Number	Related Part Number	Customer Part Number	Current Revision	New Revision
HDC16-9	HDC16-9		F	

Customer: TTI (556264)

Location: Fort Worth

Agreement Number: Agreement Unknown

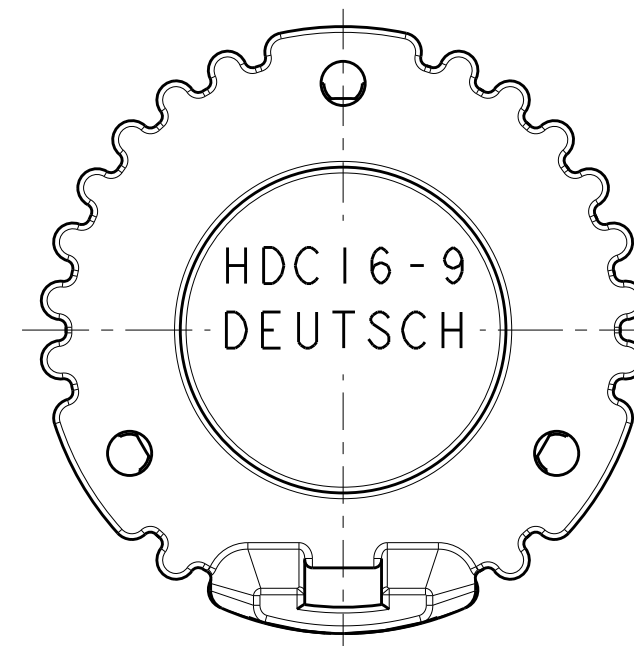
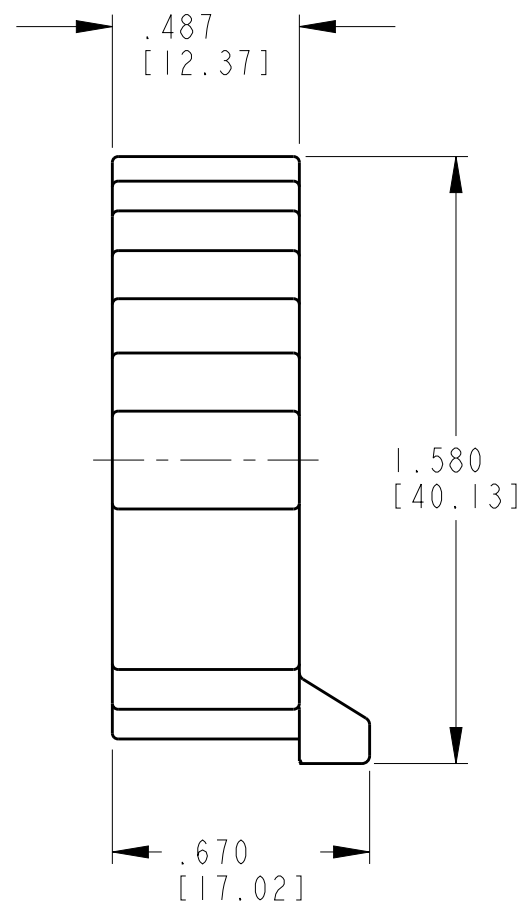
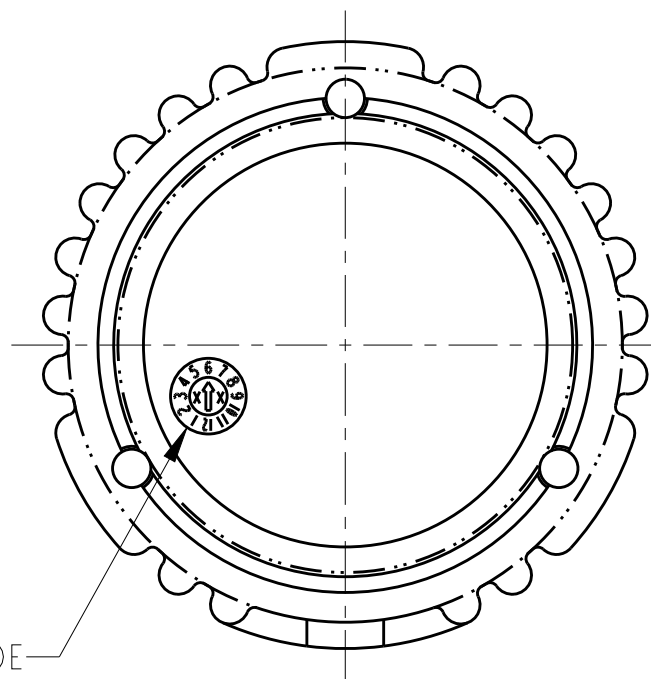
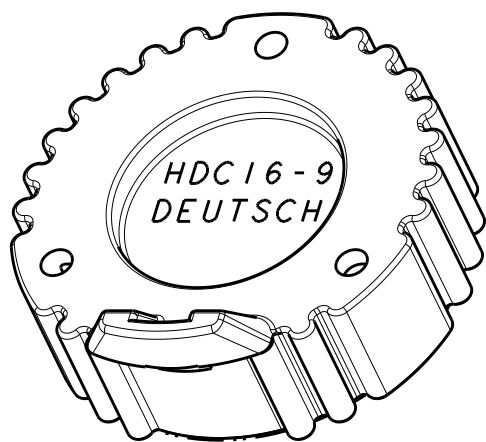
The documents listed below are being modified. Related parts that are not explicitly listed on this PCN are not being modified or discontinued as per the PCN. The Last Order Date, Last Ship Date, First Date to Ship Changed Parts and last date for Mixed Shipments apply only to parts explicitly listed on this PCN.

Customer Drawing(s) Being Modified:

Drawing Number	Related Part Number	Customer Part Number	Current Revision	New Revision
HDC16-9	HDC16-9		F	

THIS DRAWING IS UNPUBLISHED
 RELEASED FOR PUBLICATION 2016
 © COPYRIGHT 1992 BY TE CONNECTIVITY ALL RIGHTS RESERVED.


LOC	DIST	REVISIONS			
P	LTR	DESCRIPTION	DATE	DWN	APVD
	D	REVISED/REDRAWN PER E.O. P19237	19JUL2006	RM	RDR
	E	REVISED PER E.O. P20888	7JUL2011	IG	RDR
	E1	REVISED PER ECO-14-008033	28MAY2014	JA	DM
	F	REVISED PER ECO-16-001565	03FEB2016	JA	DM



TE INTERNAL PN	DEUTSCH PN
HDC16-9	HDC16-9

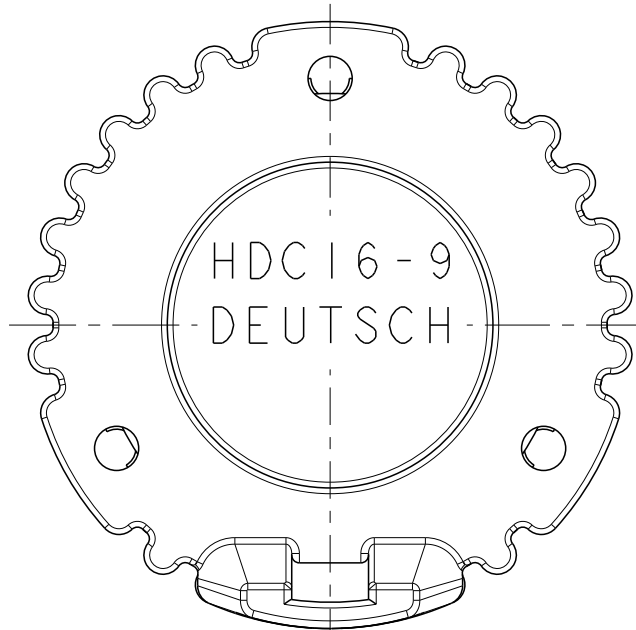
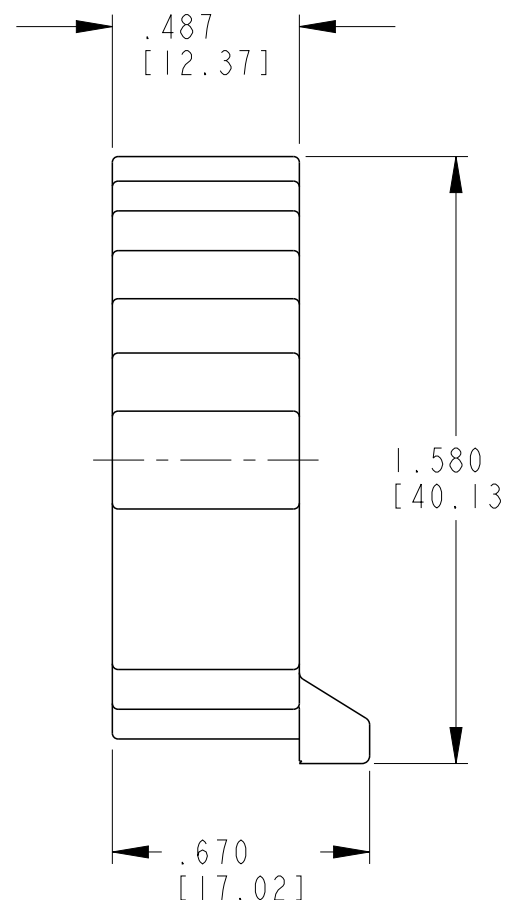
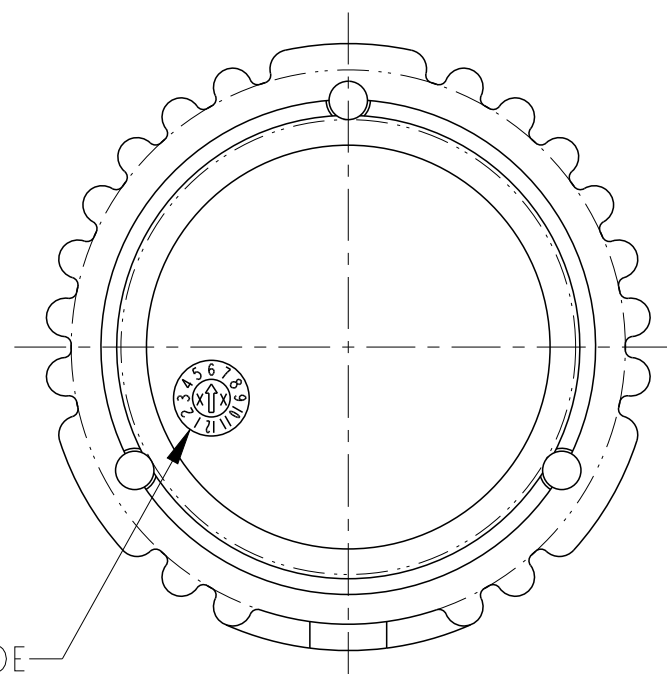
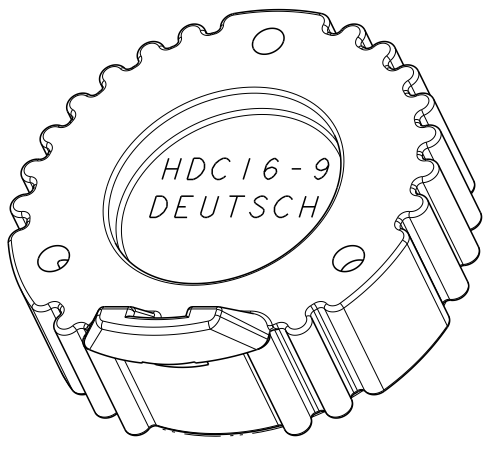
2 MATERIAL: HOUSING: PA 15% GF (GREY); O-RING: SILICONE (RED)
 1. THIS PART MATES WITH ALL SIZE 9, HD10 SERIES RECEPTACLE.

NOTES:

THIS DRAWING IS A CONTROLLED DOCUMENT.		DWN 29APR1992 JOHN NORRIS	 TE Connectivity	
DIMENSIONS: INCHES [mm]		CHK 01MAY1992 JOHN NORRIS		
TOLERANCES UNLESS OTHERWISE SPECIFIED:		APVD 04MAY1992 JEFF ALBERS	NAME PROTECTIVE COVER FOR SIZE 9 RECEPTACLE HD10 SERIES	
0 PLC ± 1 PLC ± 2 PLC ± 3 PLC ±.025 [0.64] 4 PLC ± ANGLES ±0°30'0"		PRODUCT SPEC	RESTRICTED TO	
MATERIAL		APPLICATION SPEC	SIZE A3	CAGE CODE 4AFU8
FINISH		WEIGHT 9.43g	DRAWING NO. C-HDC16-9	
2		Customer Drawing	SCALE 2:1	SHEET 1 OF 1 REV F

THIS DRAWING IS UNPUBLISHED. RELEASED FOR PUBLICATION 2016
 © COPYRIGHT 1992 BY TE CONNECTIVITY ALL RIGHTS RESERVED.

LOC	DIST	REVISIONS			
P	LTR	DESCRIPTION	DATE	DWN	APVD
	E	REVISED PER E.O. P20888	7JUL2011	IG	RDR
	E1	REVISED PER ECO-14-008033	28MAY2014	JA	DM
	F	REVISED PER ECO-16-001565	03FEB2016	JA	DM
	F1	REVISED PER PCN :E-18-003633	08MAR2018	DD	DM



TE INTERNAL PN	DEUTSCH PN
HDC16-9	HDC16-9

2 HOUSING: PA66 GF10 (GRAY); O-RING: VMQ (RED)
 1. THIS PART MATES WITH ALL SIZE 9, HD10 SERIES RECEPTACLE.
 NOTES:

THIS DRAWING IS A CONTROLLED DOCUMENT.		DWN 29APR1992 JOHN NORRIS				
DIMENSIONS: INCHES [mm]		CHK 01MAY1992 JOHN NORRIS				
TOLERANCES UNLESS OTHERWISE SPECIFIED:		APVD 04MAY1992 JEFF ALBERS	NAME PROTECTIVE COVER FOR SIZE 9 RECEPTACLE HD10 SERIES			
0 PLC ± 1 PLC ± 2 PLC ± 3 PLC ±.025 [0.64] 4 PLC ± ANGLES ±0°30'0"		PRODUCT SPEC	SIZE A3	CAGE CODE 4AFU8	DRAWING NO. C-HDC16-9	RESTRICTED TO -
MATERIAL 2		FINISH	WEIGHT 9.43g	SCALE 2:1	SHEET 1 OF 1	REV F1
		Customer Drawing				