



Product Change Notification

Current Date: 13-Sep-2017

TE Connectivity

Product Change Notification: E-17-011366

PCN Date: 12-SEP-17

Customer: TTI Inc(0000139702)

Location: WORLDWIDE

Agreement: Agreement Unknown

TE would like to inform you of the following change(s) to the listed TE Connectivity Product. In case of any further questions about this change(s), please contact your TE Connectivity Sales Engineer. Affected part, drawing and/or specification numbers are listed on the attached sheet(s).

General Product Description:
MQS RECEPTACLE WITH BARRIER CRIMP VERSION

Description of Changes
CUSTOMER DRAWING UPDATED : CLARIFIED NOTE RELATED TO VIEW OF "POSSIBLE ALTERNATE DESIGN"
Other attachments:
E-17-011366
Modified drawing (draft)

Reason for Changes:	
Document Clarification. CLARIFICATION OF NOTE NEEDED TO AVOID MISUNDERSTANDING. BOTH DESIGNS CAN BE DELIVERED TO CUSTOMER	
Estimated Dates:	
Last Order Date (Obsolete Parts Only):	First Date To Ship (Changed Parts Only):

Last Ship Date (Obsolete Parts Only):	Last Date for Mixed Shipments: (Changed Parts Only):
	No Mixed Shipments

The documents listed below are being modified. Related parts that are not explicitly listed on this PCN are not being modified or discontinued as per the PCN. The Last Order Date, Last Ship Date, First Date to Ship Changed Parts and last date for Mixed Shipments apply only to parts explicitly listed on this PCN.

Note: This PCN contains only document changes, these changes do not affect the form, fit or function of the parts referenced.

Customer Drawing(s) Being Modified:

Drawing Number	Related Part Number	Customer Part Number	Current Revision	New Revision
144969	144969-1	TYC144969-1	C	

Customer: TTI Inc.(1305175)

Location: Maisach-Gernlinden

Agreement Number: TTI001

The documents listed below are being modified. Related parts that are not explicitly listed on this PCN are not being modified or discontinued as per the PCN. The Last Order Date, Last Ship Date, First Date to Ship Changed Parts and last date for Mixed Shipments apply only to parts explicitly listed on this PCN.

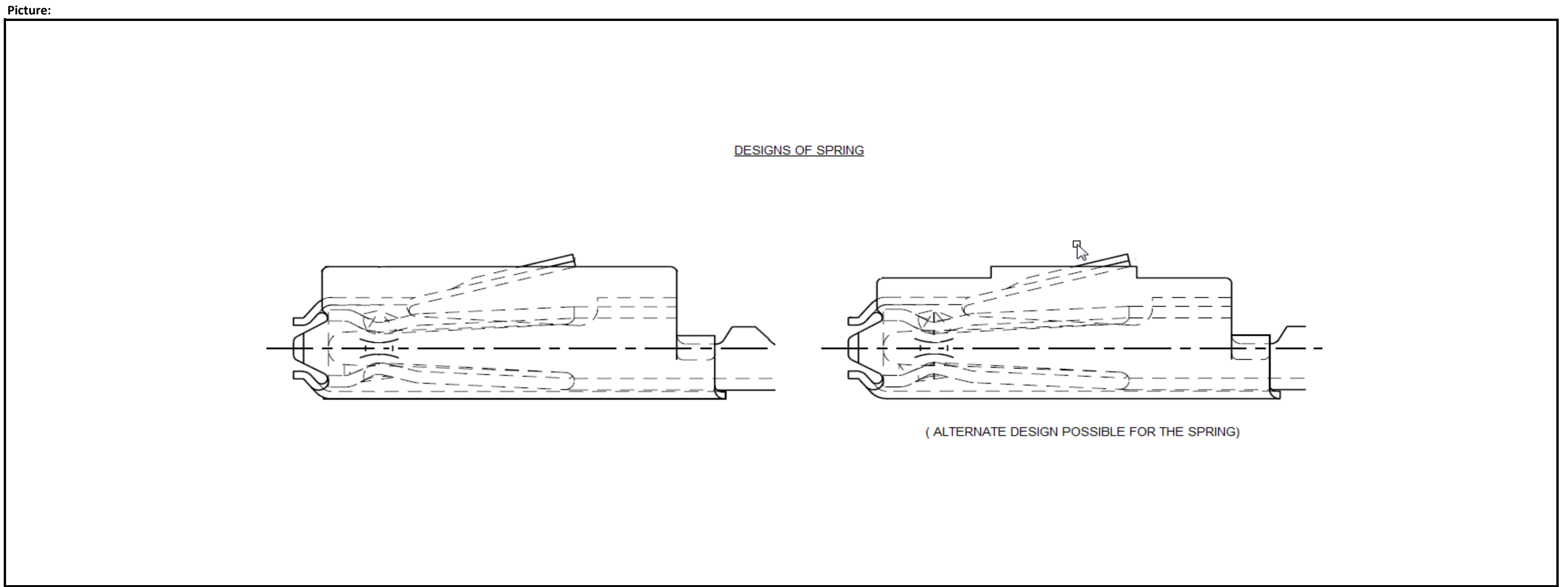
Customer Drawing(s) Being Modified:

Drawing Number	Related Part Number	Customer Part Number	Current Revision	New Revision
144969	144969-1	TYC144969-1	C	

PCN No.
 PCN Category
 Category of change
 OEM / CAM informed
 Part Number
 New Revision
 Drawing Number
New Revision
 General Product Description
 Estimated First Date for samples
 Estimated First Date to Ship (Changed part only)
 Estimated Last Date of Mixed Shipment
 Estimated Last Order Date (Obsolete Parts Only)
 Estimated Last Ship Date (Obsolete Parts Only)

E-17-011366								
Product Engineering								
Document Clarification								
C-144969								
E								
MQS RECEPTACLE WITH BARRIER CRIMP VERSION								

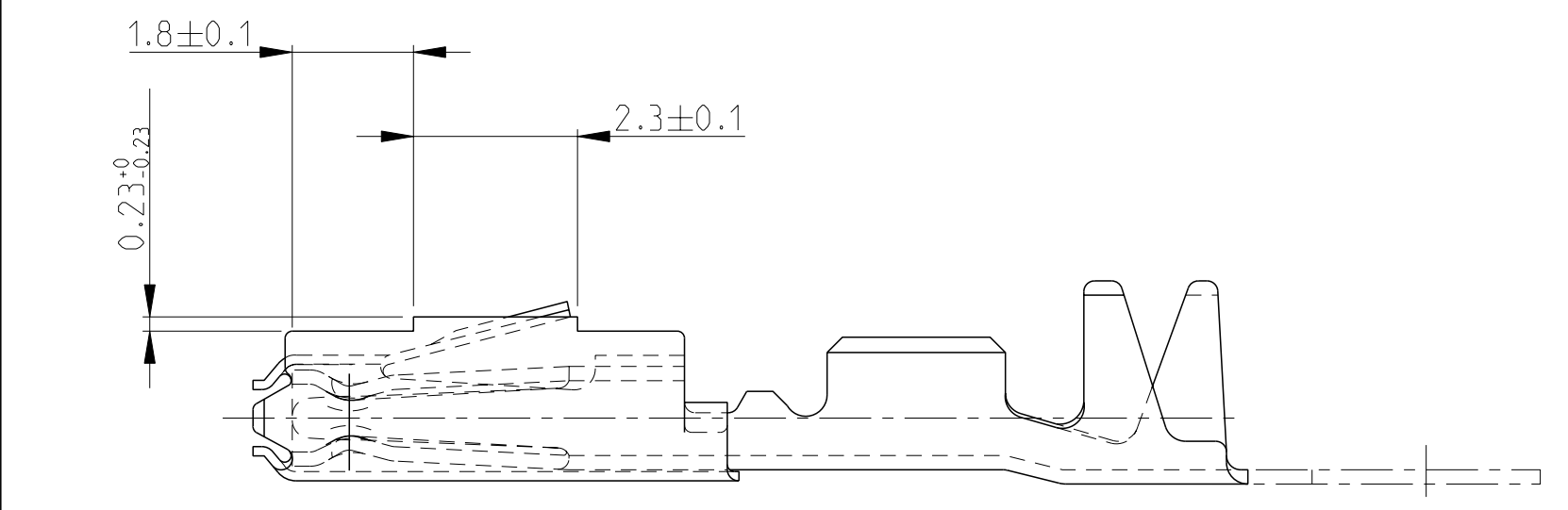
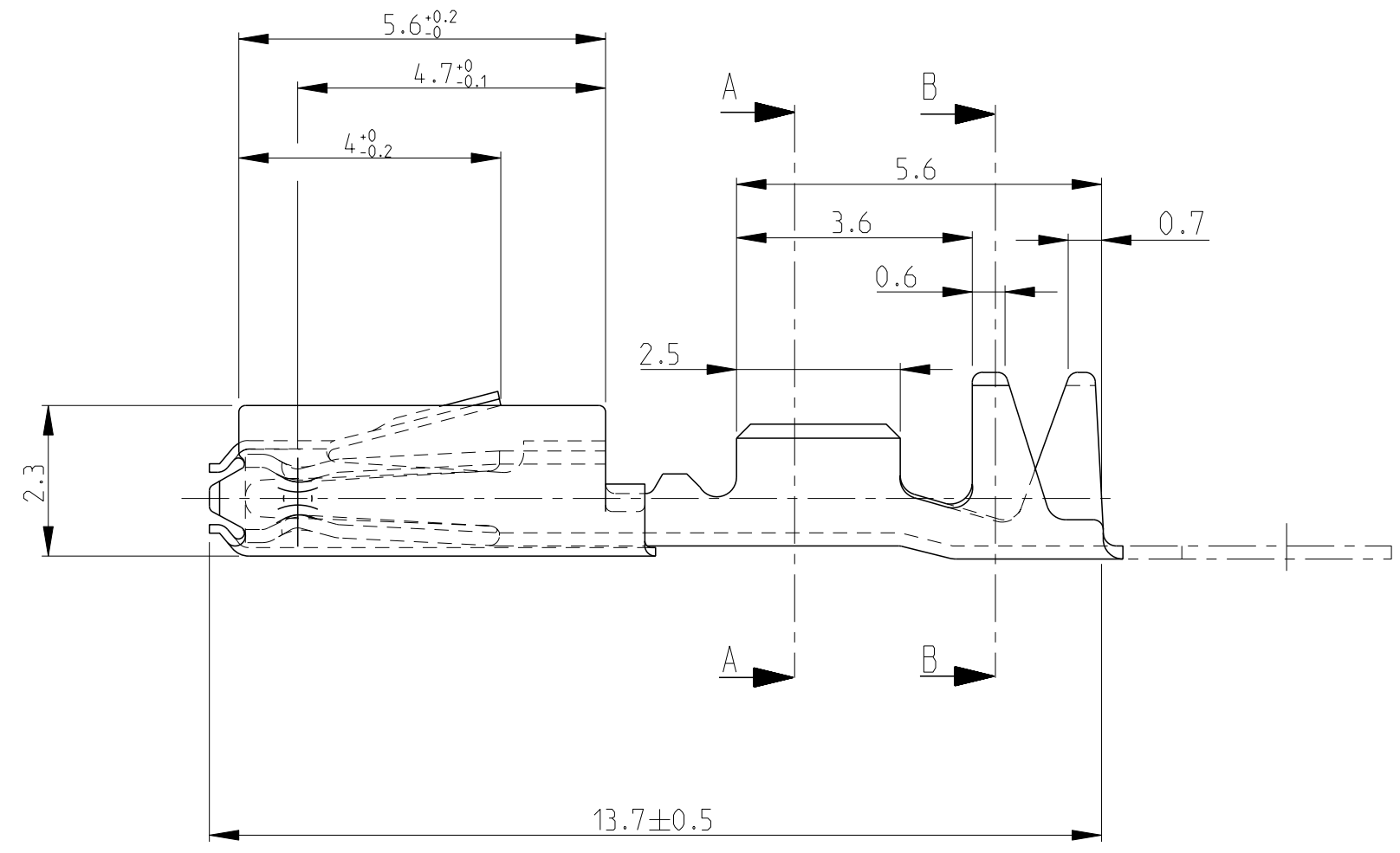
The information under column - Potential Impact for customer, is ment as a non binding guideline only.
 The customer has to do its own evaluation of the potential impact the change described in the Product Change Notification will have for him.



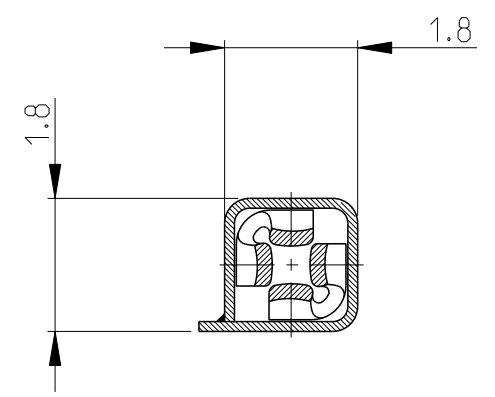
Potential Impact for Customer	X	Product Type	X	Change Type	X	Kind of Change	X	Change Feature	Remark / Free text
	x	Contact	x	Drawing	x	Drawing Change	x	revision adapted	Drawing clarification only (no change on parts)

THIS DRAWING IS UNPUBLISHED. RELEASED FOR PUBLICATION 20
 © COPYRIGHT 20 BY - ALL RIGHTS RESERVED.

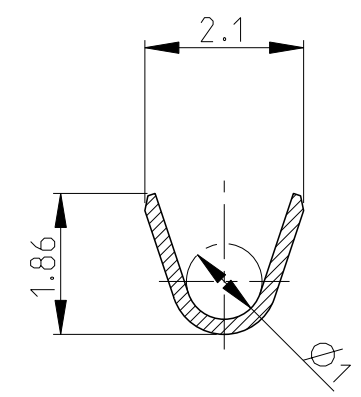
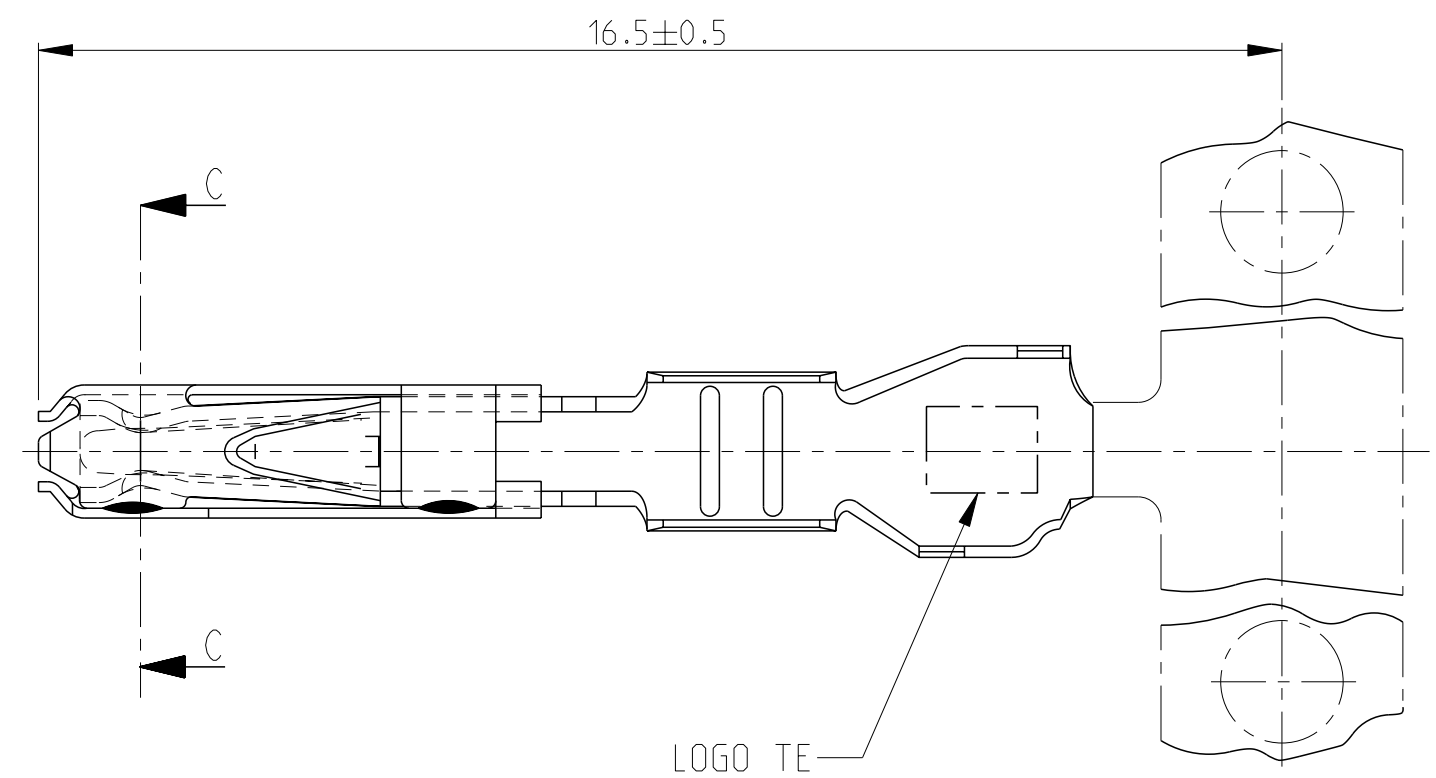
REVISIONS				
P	LTR	DESCRIPTION	DATE	APVD
E		DRAWING CLARIFICATION WITH ALTERNATE DESIGN	03AUG2017	DB JD



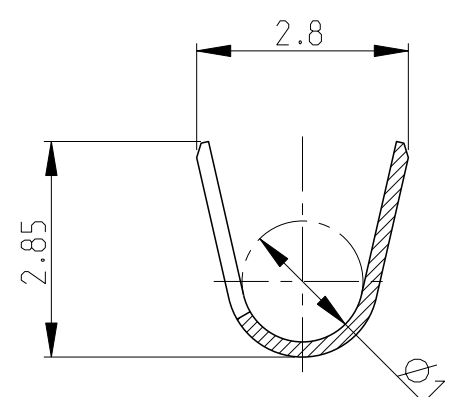
ALTERNATE DESIGN POSSIBLE FOR THE SPRING



SECTION C-C



SECTION A-A



SECTION B-B

DRAFT

PART NUMBER	4 CONTACT POINTS	SPRING	CRIMP AREA
144969-4	Sn 0.8 to 2 µm	Au 0.4 to 0.8 µm	Sn 0.8 to 3.3 µm
144969-3	Au 0.4 to 0.8 µm	Sn 0.8 to 3.3 µm	Sn 0.8 to 3.3 µm
144969-2	Au 0.4 to 0.8 µm	Au 0.4 to 0.8 µm	Sn 0.8 to 3.3 µm
144969-1	Sn 0.8 to 2 µm PRETINNED	Sn 0.8 to 2 µm PRETINNED	Sn 0.8 to 2 µm PRETINNED

THIS DRAWING IS A CONTROLLED DOCUMENT.		DWN A. ROSI 04 JUN 2012	TE Connectivity	
DIMENSIONS: mm		CHK X. ROUILLARD 04 JUN 2012		
TOLERANCES UNLESS OTHERWISE SPECIFIED: ±0.2		APVD J. DAHER 04 JUN 2012	NAME CLIP MQS A SERTIR (0.2-0.6 SQ mm) MQS RECEPTACLE WITH BARRIER CRIMP VERSION	
MATERIAL VOIR TABLEAU		PRODUCT SPEC 108-18030	SIZE A2	CAGE CODE 00779
ANGLES FINISH #2		APPLICATION SPEC 114-15077	DRAWING NO C=144969	RESTRICTED TO -
VOIR TABLEAU		WEIGHT 0.2g	SCALE 10:1	SHEET 1 OF 1
CUSTOMER DRAWING		REV E		