



# Product Change Notification

Current Date: 10-Jul-2017

## TE Connectivity

**Product Change Notification:** E-17-008836

**PCN Date:** 05-JUL-17

**Customer:** TTI Inc(0000139702)

**Location:** WORLDWIDE

**Agreement:** Agreement Unknown

TE would like to inform you of the following change(s) to the listed TE Connectivity Product. In case of any further questions about this change(s), please contact your TE Connectivity Sales Engineer. Affected part, drawing and/or specification numbers are listed on the attached sheet(s).

**General Product Description:**

AMP SUPERSEAL 1,5 SRS. TAB CONNECTORS

**Description of Changes**

SOME DRAWING DIMENSIONS/TOLERANCES REVISED : The drawings for the listed part numbers have been modified for clarification in order to comply with actual production

**Other attachments:**

[SPECIFIC DESCRIPTION OF CHANGES](#)

**Reason for Changes:**

Customer Request. NO IMPACT ON ACTUAL CUSTOMER PROCESSES, THERE IS NO CHANGE ( FORM, FIT AND FUNCTION) ON PHYSICAL PIECES, SO NO NEED OF FURTHER TESTS OR SAMPLINGS FOR EVALUATION, ONLY ADAPTION OF SOME DRAWINGS DIMENSIONS/TOLERANCES TO CURRENT PRODUCTION ON THE ENTIRE FAMILY LINE AFTER A CUSTOMER COMPLAINT ON A SPECIFIC DIMENSION

**Estimated Dates:**

**Last Order Date** (Obsolete Parts Only):

**First Date To Ship** (Changed Parts Only):

<b>Last Ship Date</b> (Obsolete Parts Only):	<b>Last Date for Mixed Shipments:</b> (Changed Parts Only):
	No Mixed Shipments

The documents listed below are being modified. Related parts that are not explicitly listed on this PCN are not being modified or discontinued as per the PCN. The Last Order Date, Last Ship Date, First Date to Ship Changed Parts and last date for Mixed Shipments apply only to parts explicitly listed on this PCN.

**Note: This PCN contains only document changes, these changes do not affect the form, fit or function of the parts referenced.**

**Customer Drawing(s) Being Modified:**

<b>Drawing Number</b>	<b>Related Part Number</b>	<b>Customer Part Number</b>	<b>Current Revision</b>	<b>New Revision</b>
<a href="#">1745022</a>	1745022-1	TYC1745022-1	A1	
<a href="#">1745082</a>	1745082-1	TYC1745082-1	A1	
<a href="#">1745084</a>	1745084-1		A1	
<a href="#">282092</a>	282092-4	TYC282092-4	A	
<a href="#">282103</a>	282103-1	TYC282103-1	B	
<a href="#">282104</a>	282104-1		B	
<a href="#">282105</a>	282105-1	TYC282105-1	B2	
<a href="#">282106</a>	282106-1	TYC282106-1	B2	
<a href="#">282107</a>	282107-1	TYC282107-1	B	
<a href="#">282108</a>	282108-1	TYC282108-1	C2	

**Customer:** TTI Inc( 1281288 )

**Location:** Fort Worth

**Agreement Number:** Agreement Unknown

The documents listed below are being modified. Related parts that are not explicitly listed on this PCN are not being modified or discontinued as per the PCN. The Last Order Date, Last Ship Date, First Date to Ship Changed Parts and last date for Mixed Shipments apply only to parts explicitly listed on this PCN.

**Customer Drawing(s) Being Modified:**

<b>Drawing Number</b>	<b>Related Part Number</b>	<b>Customer Part Number</b>	<b>Current Revision</b>	<b>New Revision</b>
-----------------------	----------------------------	-----------------------------	-------------------------	---------------------

<a href="#">282104</a>	282104-1		B	
<a href="#">282106</a>	282106-1		B2	
<a href="#">282107</a>	282107-1		B	
<a href="#">282108</a>	282108-1		C2	

**Customer:** Shanghai TTI EElectronics Co Ltd( 1405773 )

**Location:** Shanghai

**Agreement Number:** Agreement Unknown

The documents listed below are being modified. Related parts that are not explicitly listed on this PCN are not being modified or discontinued as per the PCN. The Last Order Date, Last Ship Date, First Date to Ship Changed Parts and last date for Mixed Shipments apply only to parts explicitly listed on this PCN.

**Customer Drawing(s) Being Modified:**

Drawing Number	Related Part Number	Customer Part Number	Current Revision	New Revision
<a href="#">282104</a>	282104-1		B	

**Customer:** TTI Electronics Asia Pte Ltd.( 2771300 )

**Location:** Singapore

**Agreement Number:** Agreement Unknown

The documents listed below are being modified. Related parts that are not explicitly listed on this PCN are not being modified or discontinued as per the PCN. The Last Order Date, Last Ship Date, First Date to Ship Changed Parts and last date for Mixed Shipments apply only to parts explicitly listed on this PCN.

**Customer Drawing(s) Being Modified:**

Drawing Number	Related Part Number	Customer Part Number	Current Revision	New Revision
<a href="#">282104</a>	282104-1		B	
<a href="#">282105</a>	282105-1		B2	
<a href="#">282106</a>	282106-1		B2	
<a href="#">282107</a>	282107-1		B	
<a href="#">282108</a>	282108-1		C2	

**Customer:** Tti Inc( 3065242 )

**Location:** Maisach-Gernlinden

**Agreement Number:** Agreement Unknown

The documents listed below are being modified. Related parts that are not explicitly listed on this PCN are not being modified or discontinued as per the PCN. The Last Order Date, Last Ship Date, First Date to Ship Changed Parts and last date for Mixed Shipments apply only to parts explicitly listed on this PCN.

**Customer Drawing(s) Being Modified:**

Drawing Number	Related Part Number	Customer Part Number	Current Revision	New Revision
<a href="#">282104</a>	282104-1		B	

**Customer:** TTI Electronics Asia Pte Ltd.( 2771300 )

**Location:** Singapore

**Agreement Number:** Agreement Unknown

The documents listed below are being modified. Related parts that are not explicitly listed on this PCN are not being modified or discontinued as per the PCN. The Last Order Date, Last Ship Date, First Date to Ship Changed Parts and last date for Mixed Shipments apply only to parts explicitly listed on this PCN.

**Customer Drawing(s) Being Modified:**

Drawing Number	Related Part Number	Customer Part Number	Current Revision	New Revision
<a href="#">282104</a>	282104-1		B	
<a href="#">282105</a>	282105-1		B2	
<a href="#">282106</a>	282106-1		B2	
<a href="#">282107</a>	282107-1		B	
<a href="#">282108</a>	282108-1		C2	

**Customer:** TTI Inc.( 1305175 )

**Location:** Maisach-Gernlinden

**Agreement Number:** TTI001

The documents listed below are being modified. Related parts that are not explicitly listed on this PCN are not being modified or discontinued as per the PCN. The Last Order Date, Last Ship Date, First Date to Ship Changed Parts and last date for Mixed Shipments apply only to parts explicitly listed on this PCN.

**Customer Drawing(s) Being Modified:**

Drawing Number	Related Part Number	Customer Part Number	Current Revision	New Revision
<a href="#">1745022</a>	1745022-1	TYC1745022-1	A1	
<a href="#">1745082</a>	1745082-1	TYC1745082-1	A1	
<a href="#">1745084</a>	1745084-1		A1	
<a href="#">282092</a>	282092-4	TYC282092-4	A	
<a href="#">282103</a>	282103-1	TYC282103-1	B	
<a href="#">282104</a>	282104-1	TYC282104-1	B	
<a href="#">282105</a>	282105-1	TYC282105-1	B2	
<a href="#">282106</a>	282106-1	TYC282106-1	B2	
<a href="#">282107</a>	282107-1	TYC282107-1	B	
<a href="#">282108</a>	282108-1	TYC282108-1	C2	

**Customer:** TTI Electronics Asia Pte Ltd.( 2771300 )

**Location:** Singapore

**Agreement Number:** Agreement Unknown

The documents listed below are being modified. Related parts that are not explicitly listed on this PCN are not being modified or discontinued as per the PCN. The Last Order Date, Last Ship Date, First Date to Ship Changed Parts and last date for Mixed Shipments apply only to parts explicitly listed on this PCN.

**Customer Drawing(s) Being Modified:**

Drawing Number	Related Part Number	Customer Part Number	Current Revision	New Revision
<a href="#">282104</a>	282104-1		B	
<a href="#">282105</a>	282105-1		B2	
<a href="#">282106</a>	282106-1		B2	
<a href="#">282107</a>	282107-1		B	
<a href="#">282108</a>	282108-1		C2	

## **PREFACE:**

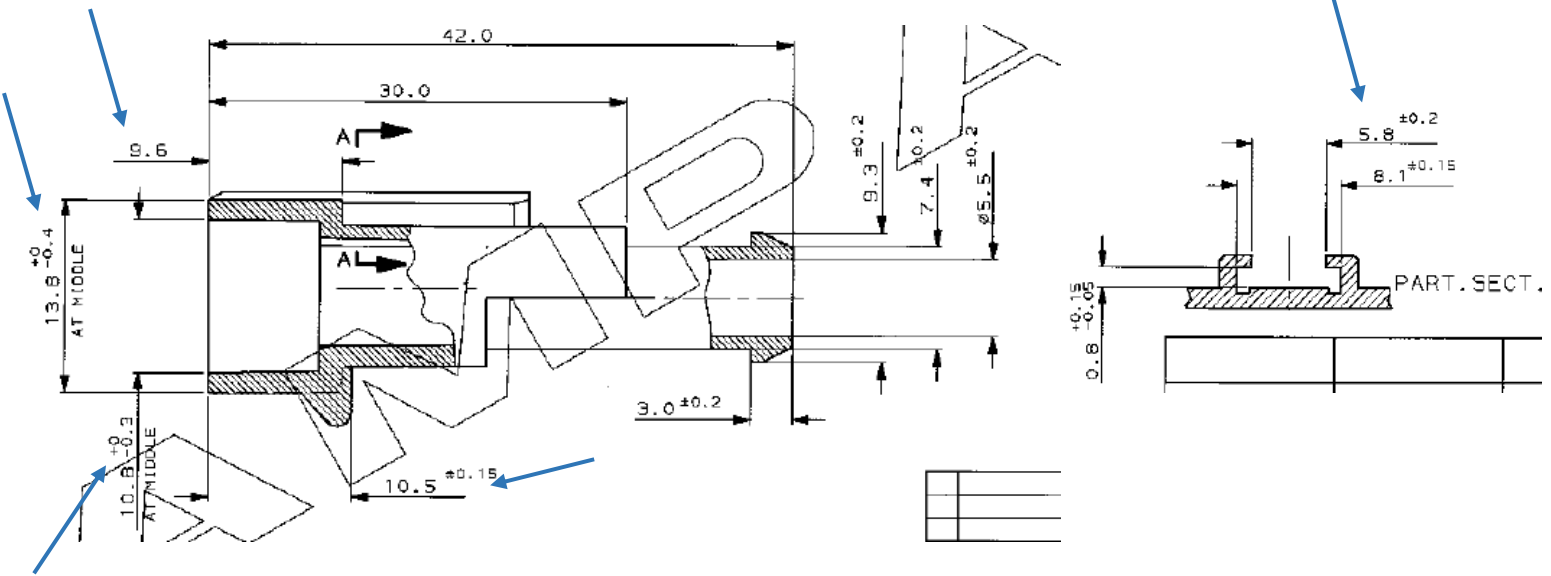
**NO IMPACT ON ACTUAL CUSTOMER PROCESSES!  
THERE IS NO CHANGE ( FORM, FIT AND FUNCTION) ON  
PHYSICAL PIECES BUT ONLY ON DOCUMENTATION, SO  
NO NEED OF FURTHER TESTS OR SAMPLINGS FOR  
EVALUATION.**

**IN PARTICULAR THERE HAS BEEN AN ADAPTION OF  
SOME DRAWING DIMENSIONS/TOLERANCES TO  
CURRENT PRODUCTION ON THE ENTIRE TAB CONNECTOR  
FAMILY LINE (AFTER A CUSTOMER COMPLAINT ON A  
SPECIFIC DIMENSION)**

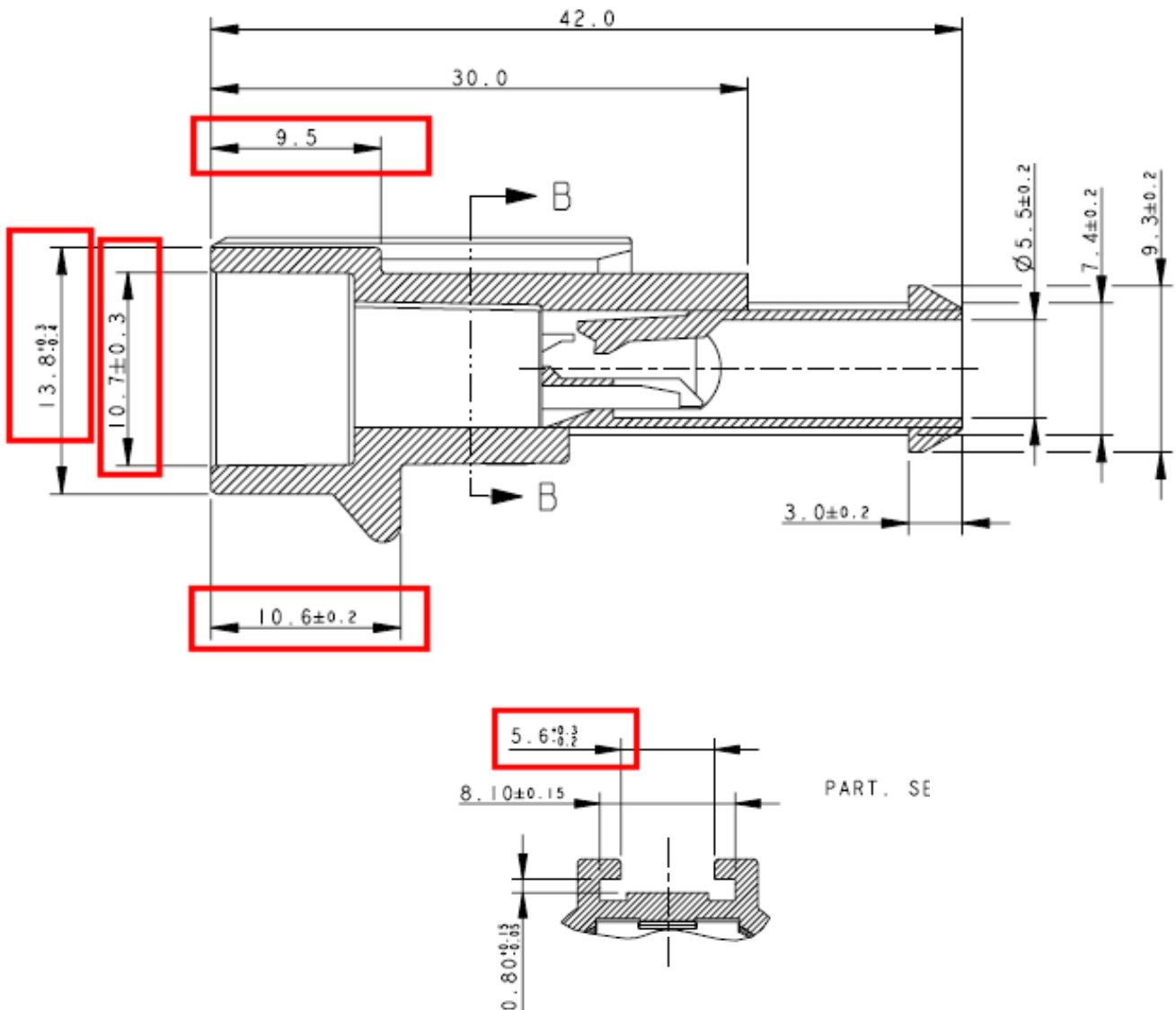
**SEE FURTHER PAGES RELEVANT TO THE SPECIFIC  
CHANGES ON EACH INVOLVED DOCUMENT.**

# DRAWING C-282092

ACTUAL (CUSTOMER DRAWING REV. A):

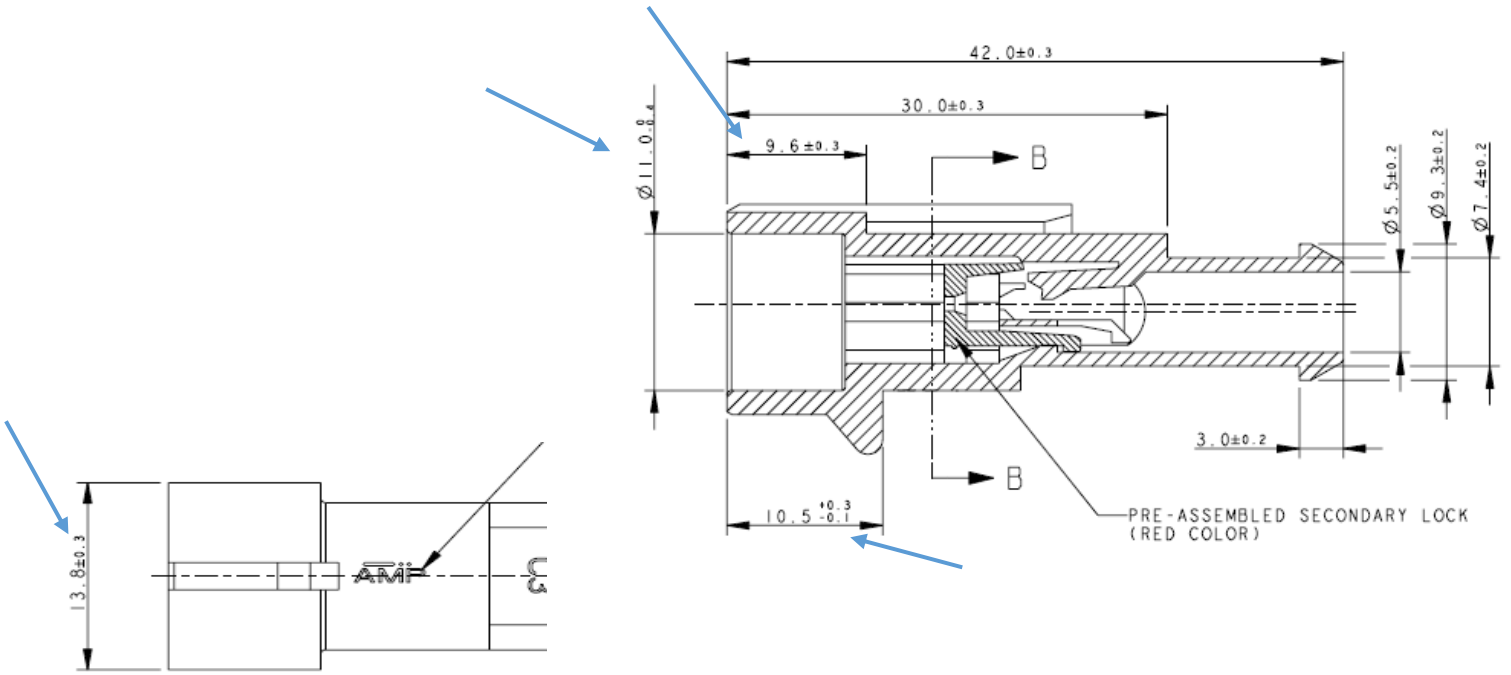


NEW (CUSTOMER DRAWING REV. A1)

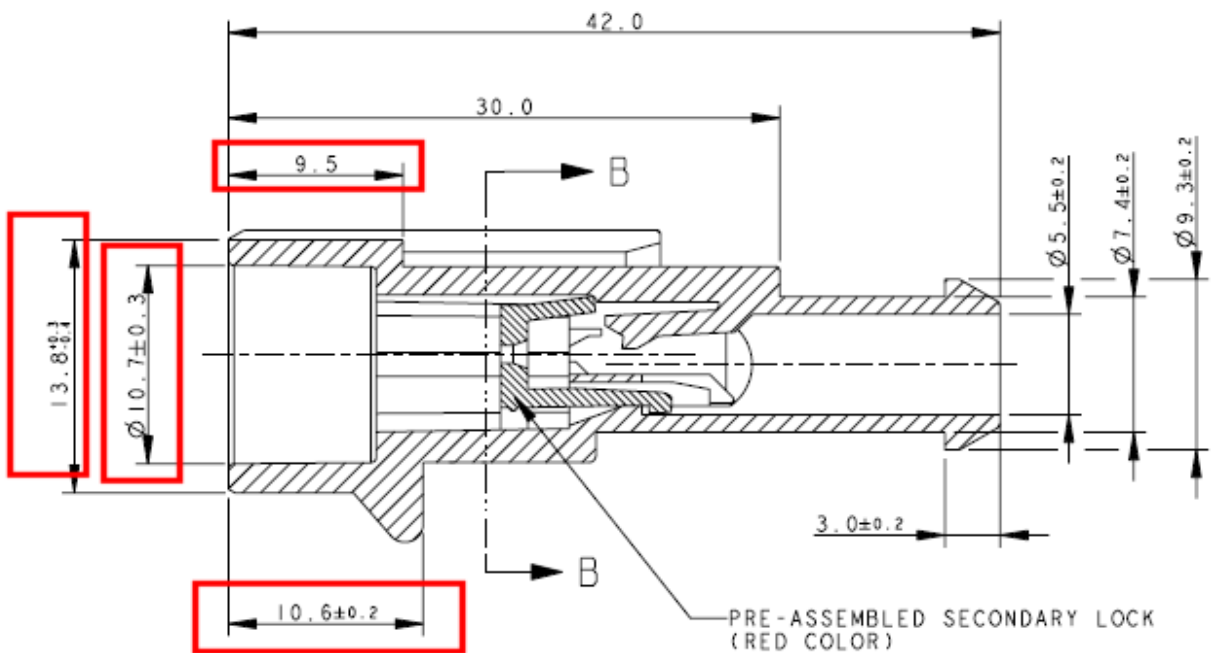
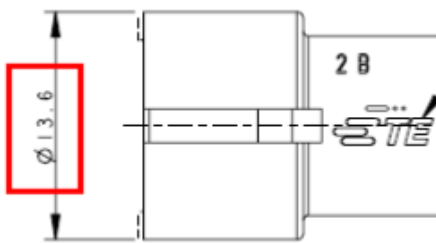


# DRAWING C-282103

ACTUAL (CUSTOMER DRAWING REV. B):



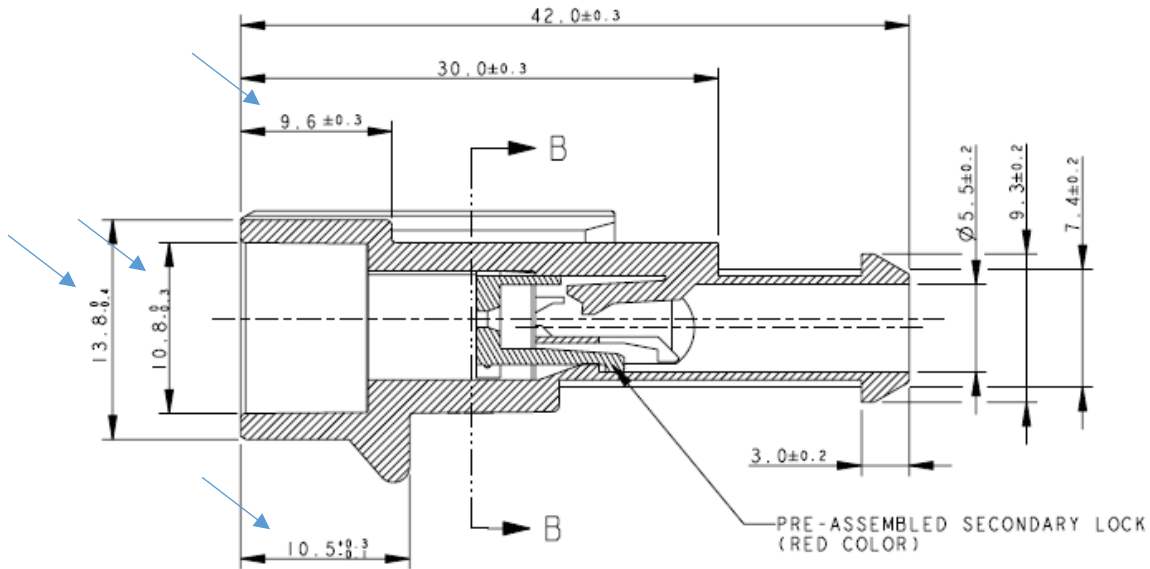
NEW (CUSTOMER DRAWING REV. B1)





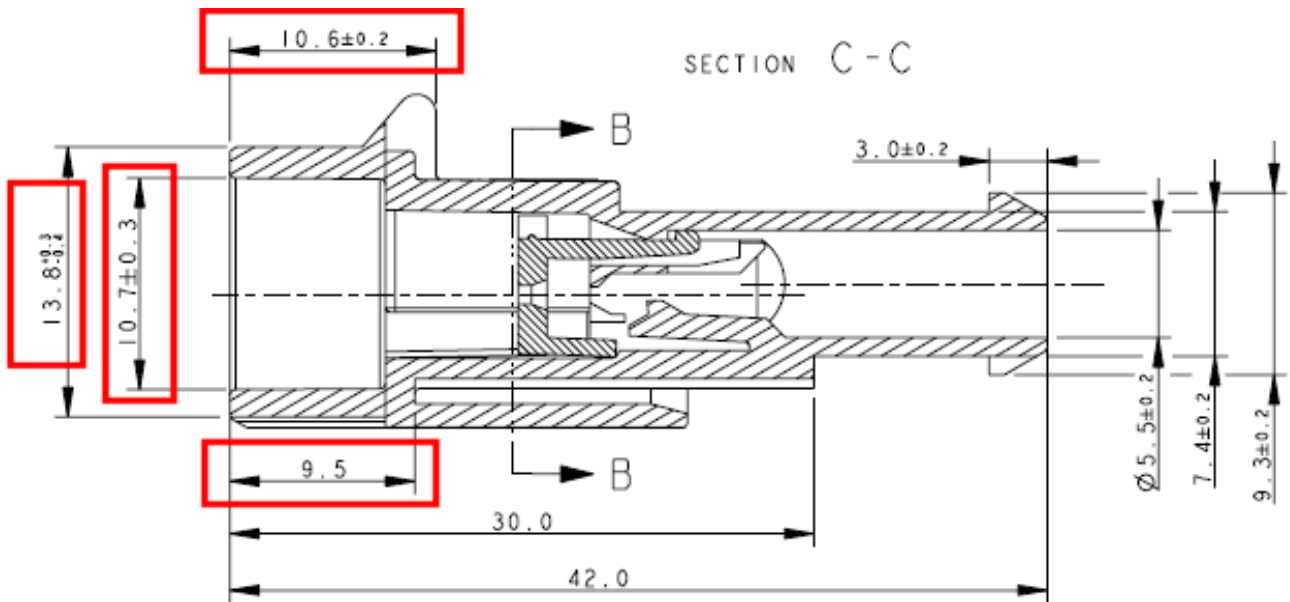
# DRAWING C-282104

ACTUAL (CUSTOMER DRAWING REV. B):



GREEN	PA66-GF	282104-3
GRAY	PA66-GF	282104-2
BLACK	PA66-GF	282104-1
FINISH/COLOR	MATERIAL	PART NUMBER

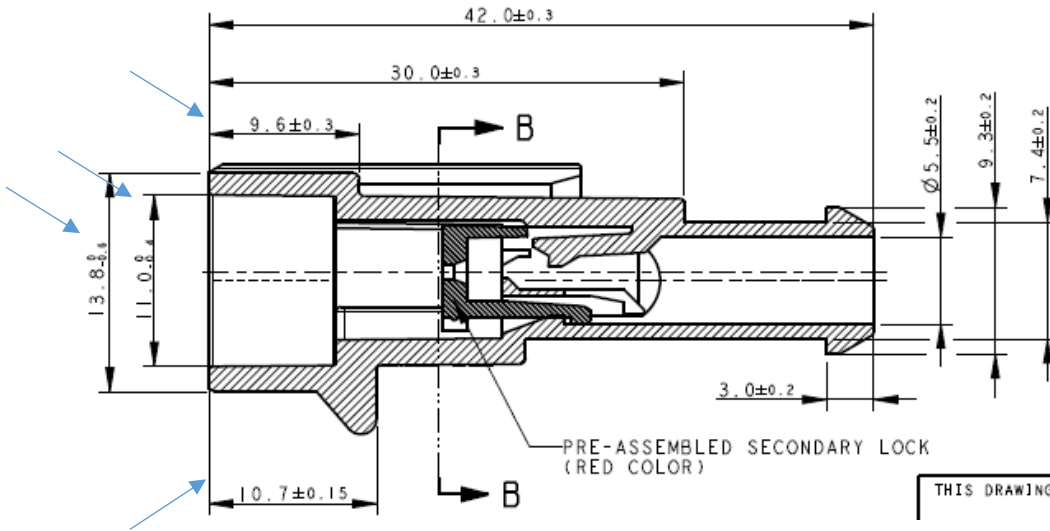
NEW (CUSTOMER DRAWING REV. B1)



HSG: WHITE SEC. LOCK: WHITE	PA66-GF UL94-V2 ACC. TO IEC 60335-1	A	1745099-1
HSG: GREEN SEC. LOCK: RED	PA66-GF	B	282104-3
HSG: GRAY SEC. LOCK: RED	PA66-GF	B	282104-2
HSG: BLACK SEC. LOCK: RED	PA66-GF	B	282104-1
FINISH/COLOR	MATERIAL	REV	P/N

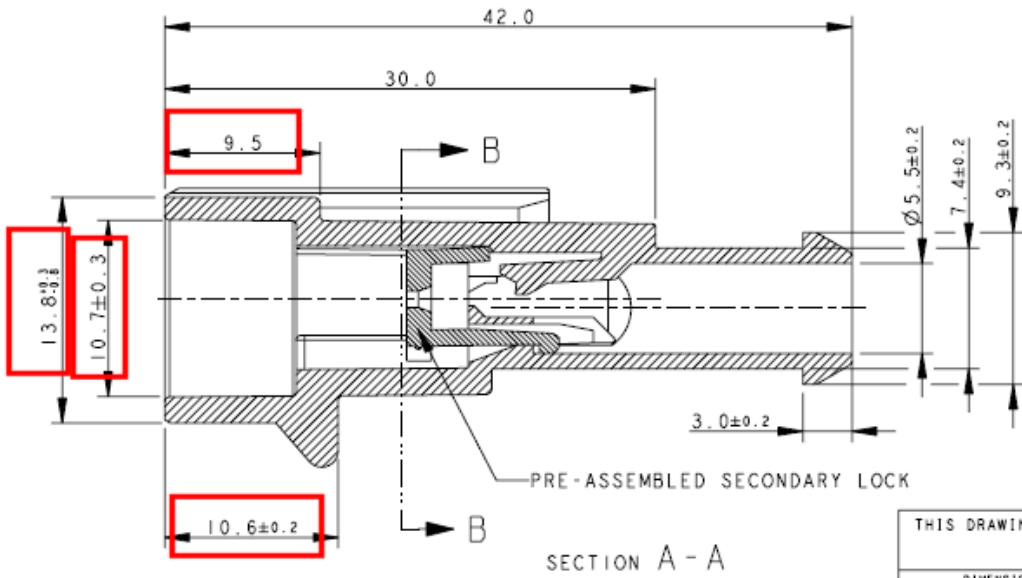
# DRAWING C-282105

**ACTUAL (CUSTOMER DRAWING REV. B2):**



THIS DRAWING IS	GRAY	PA66-GF	282105-2
	BLACK	PA66-GF	282105-1
	FINISH/COLOR	MATERIAL	PART NUMBER

**NEW (CUSTOMER DRAWING REV. B3)**

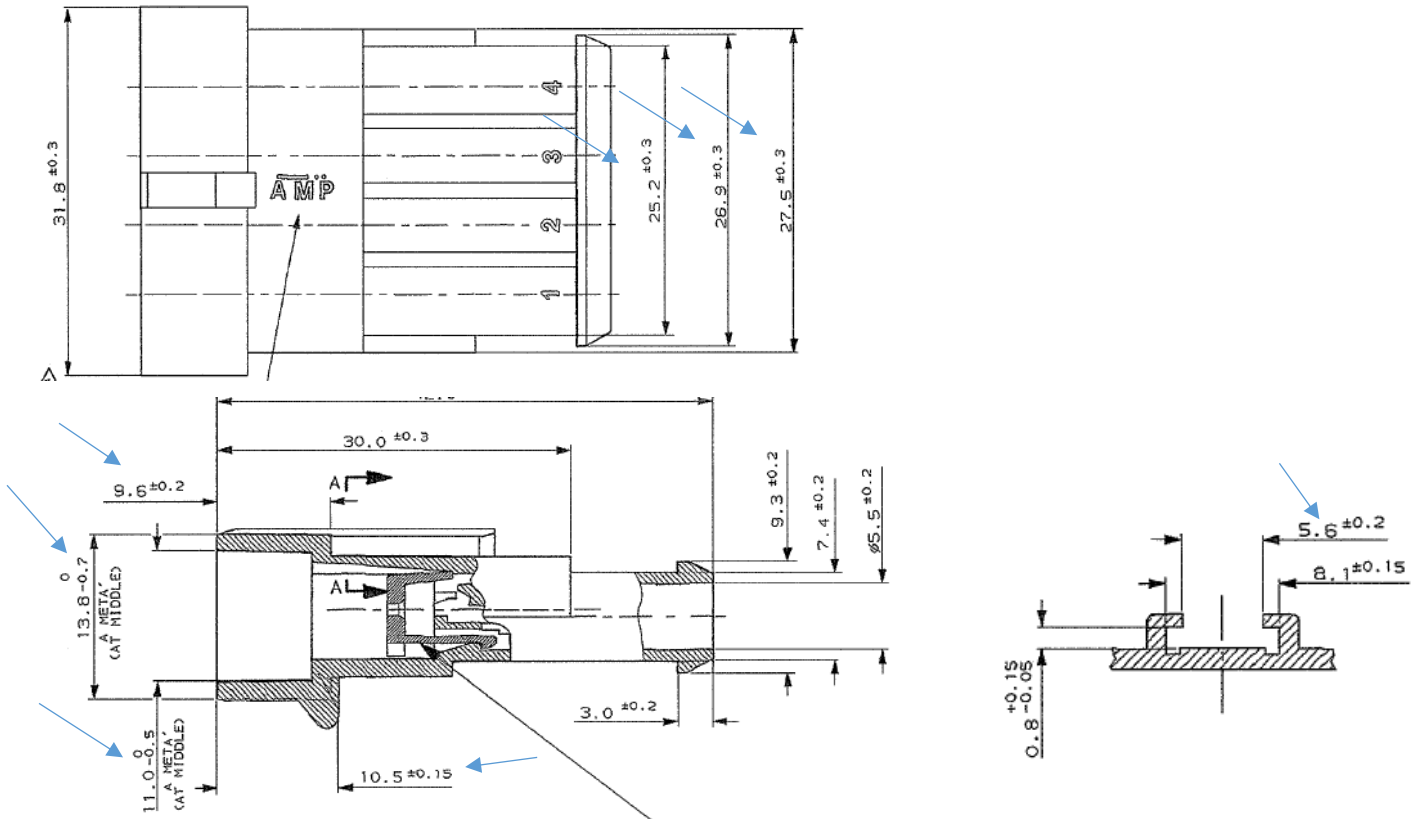


THIS DRAWING IS

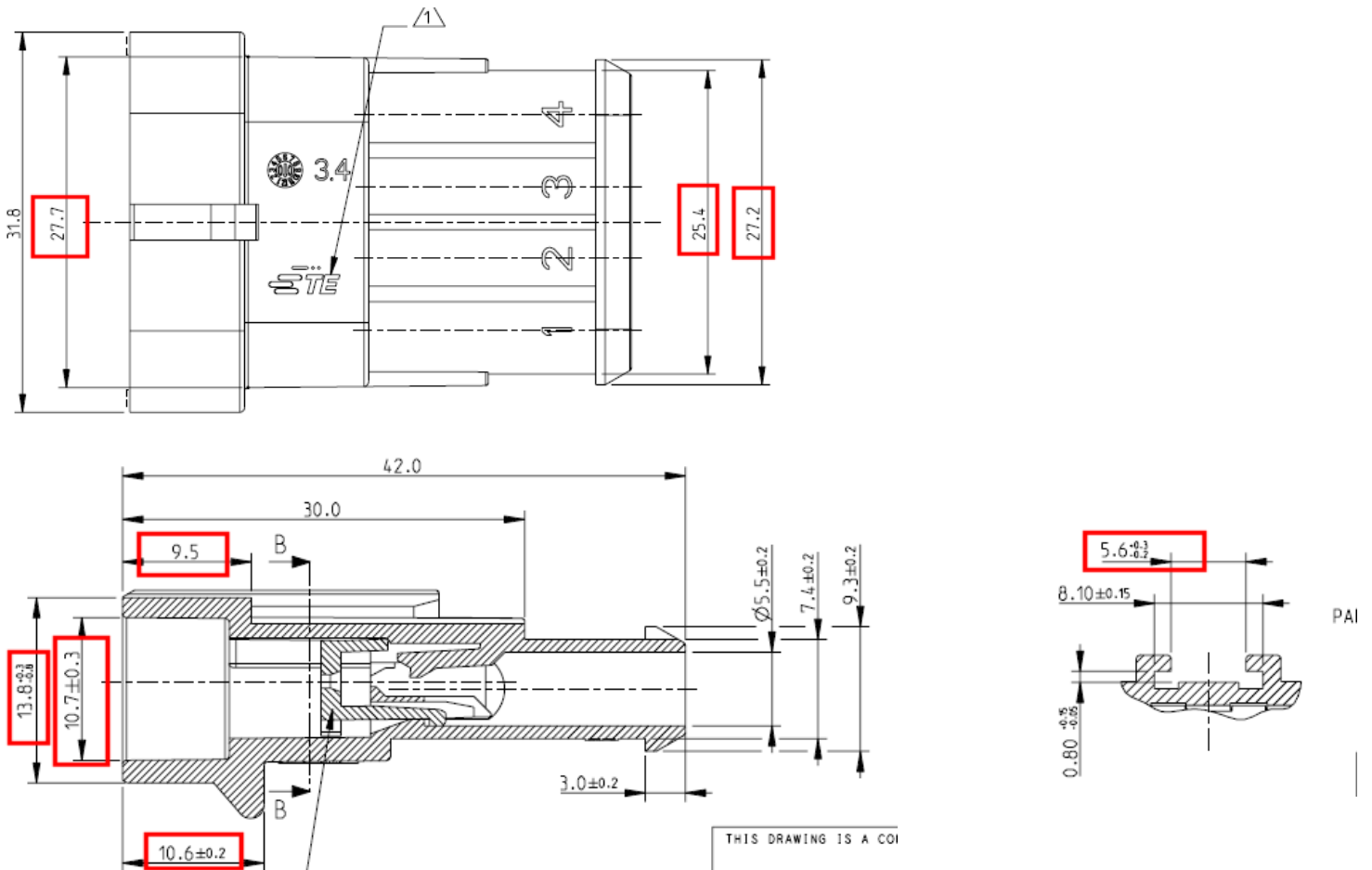
HSG: WHITE SEC. LOCK: WHITE	PA66-GF UL94-V2 ACC. TO IEC 60335-1	A	1745082-1
HSG: GRAY SEC. LOCK: RED	PA66-GF	B	282105-2
HSG: BLACK SEC. LOCK: RED	PA66-GF	B	282105-1
FINISH/COLOR	MATERIAL	REV	PART NUMBER

# DRAWING C-282106

**ACTUAL (CUSTOMER DRAWING REV. B2):**

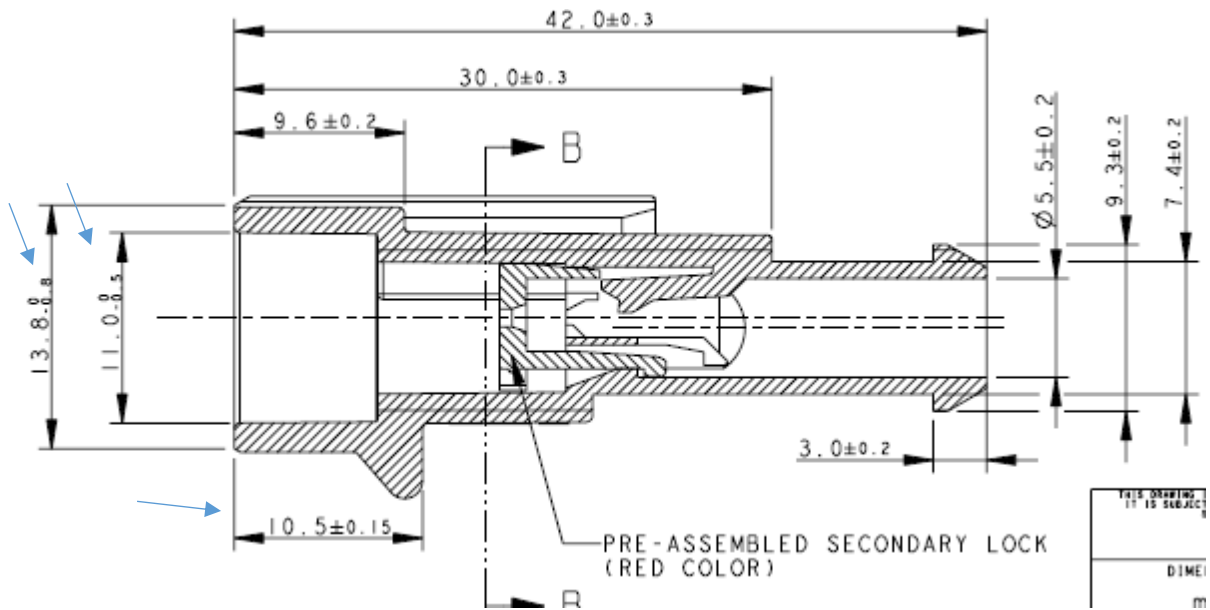


**NEW (CUSTOMER DRAWING REV. B3)**

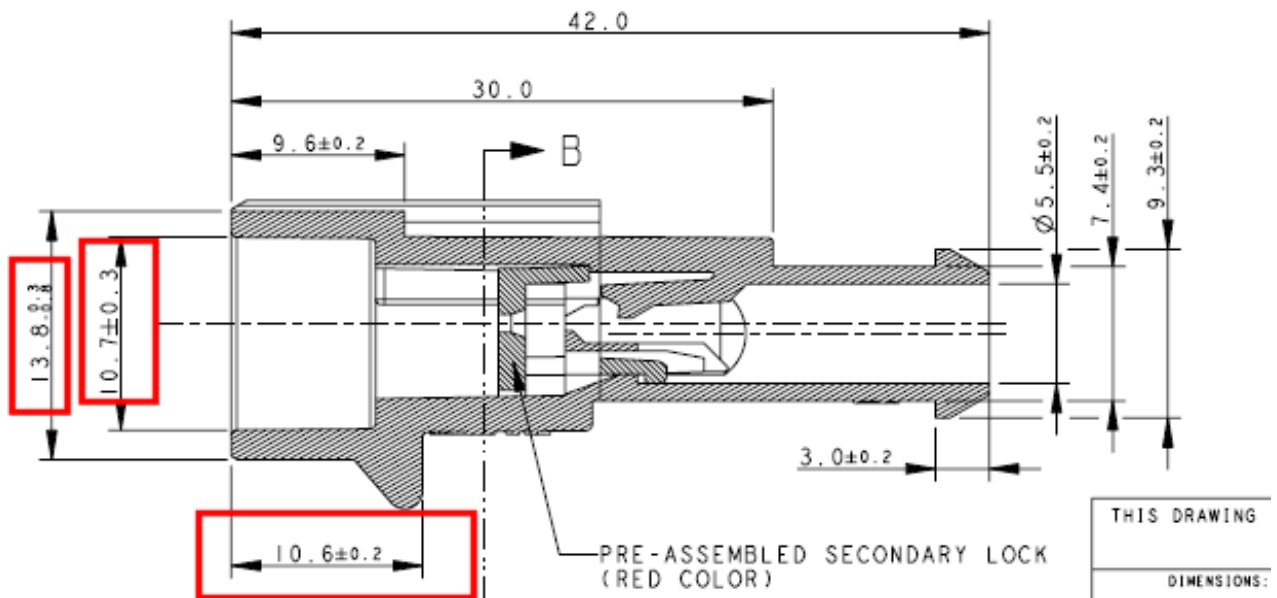


# DRAWING C-282107

ACTUAL (CUSTOMER DRAWING REV. B):

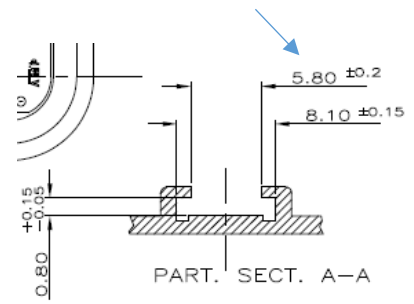
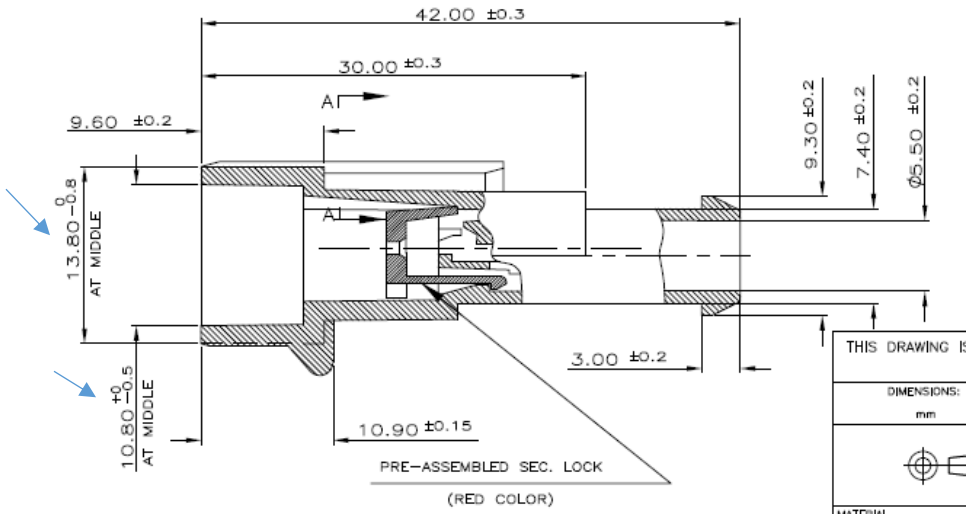


NEW (CUSTOMER DRAWING REV. B1)



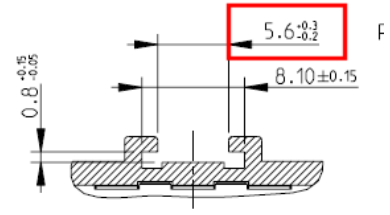
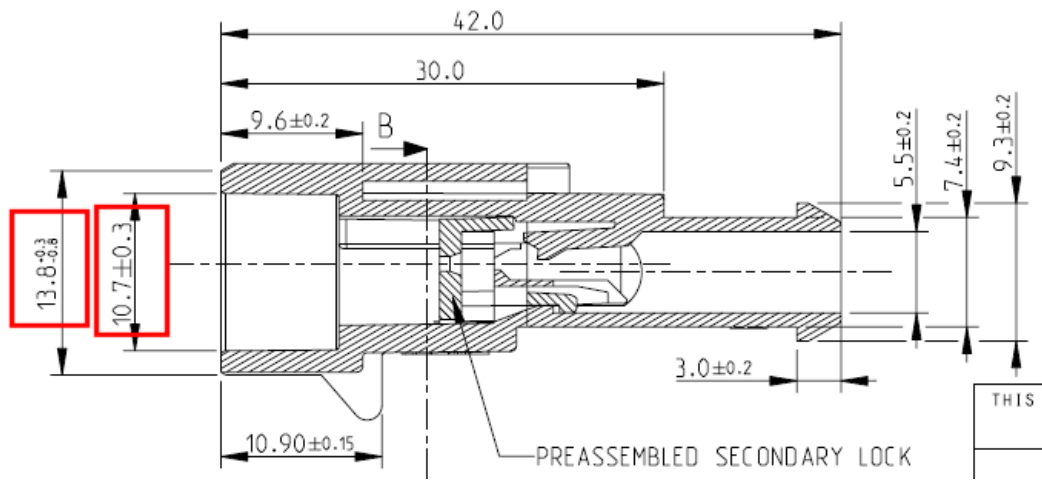
# DRAWING C-282108

**ACTUAL (CUSTOMER DRAWING REV. C2):**



FINITURA / COLORE (FINISH / COLOUR)	MATERIALE (MATERIAL)	NUMERO (PART NUMBER)
GREY	G.F. PA66	282108-2
BLACK	G.F. PA66	282108-1
CUSTOMER DWG. FOR REFERENCE ONLY		DISEGNO PER CLIENTE SOLO PER RIFERIMENTO

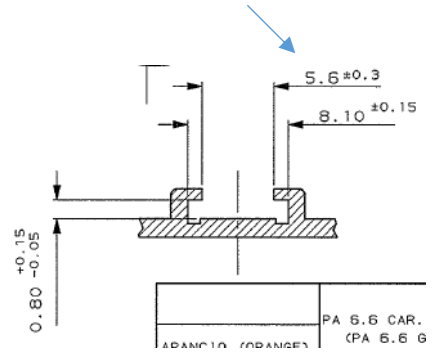
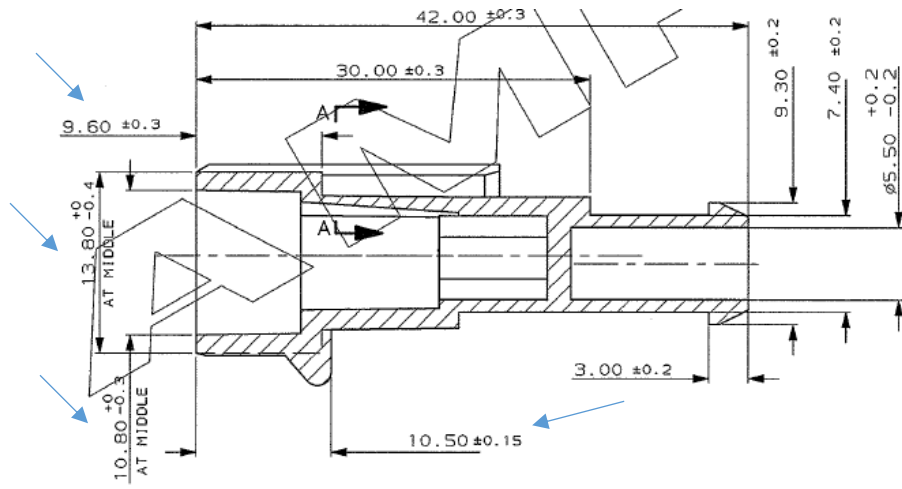
**NEW (CUSTOMER DRAWING REV. C3)**



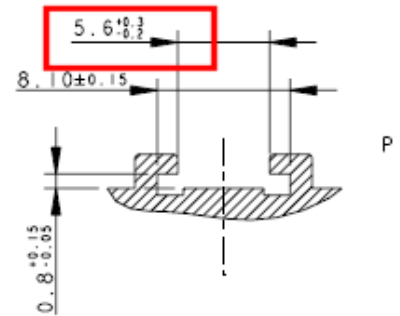
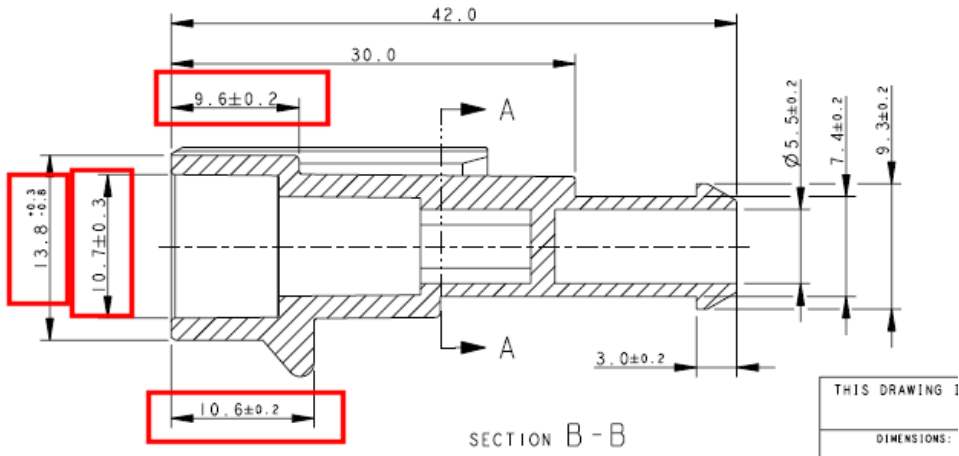
HSG: WHITE SEC. LOCK: WHITE	PA66-GF UL94-V2 ACC. TO IEC 60335-1	A	1745084-1
HSG: GRAY SEC. LOCK: RED	PA66-GF	C	282108-2
HSG: BLACK SEC. LOCK: RED	PA66-GF	C	282108-1
FINISH/COLOR	MATERIAL	REV	PART NUMBER

# DRAWING C-1745018

## ACTUAL (CUSTOMER DRAWING REV. A1):

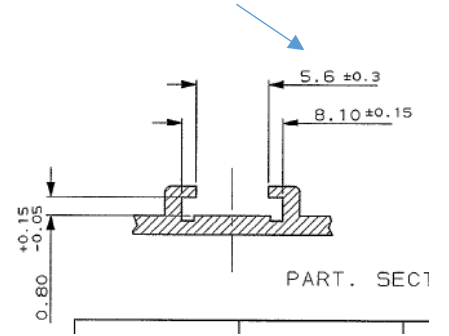
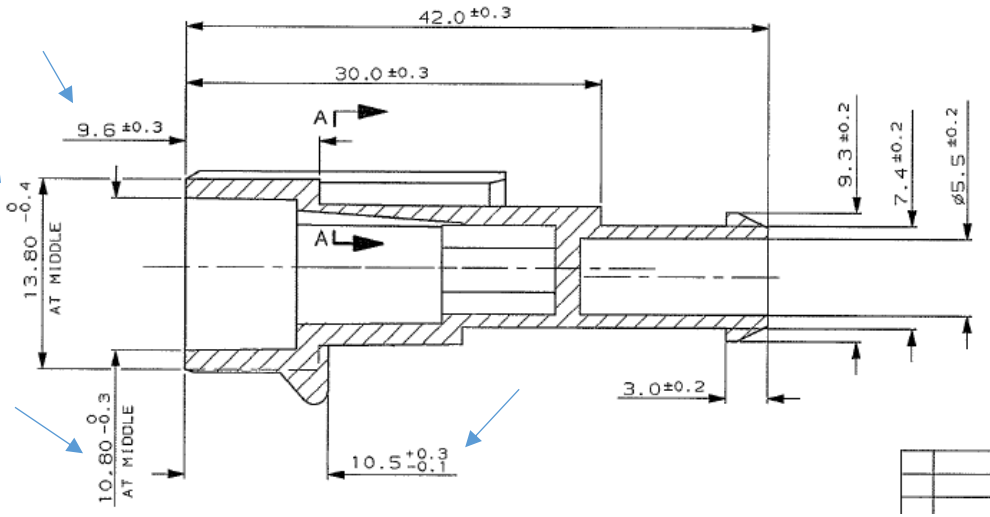


## NEW (CUSTOMER DRAWING REV. A2)

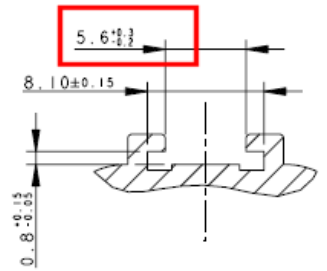
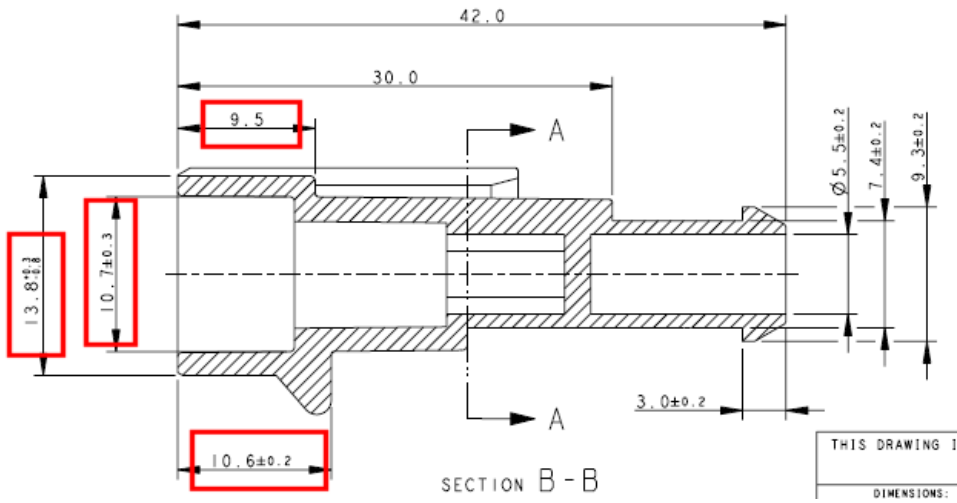


# DRAWING C-1745020

ACTUAL (CUSTOMER DRAWING REV. A2):

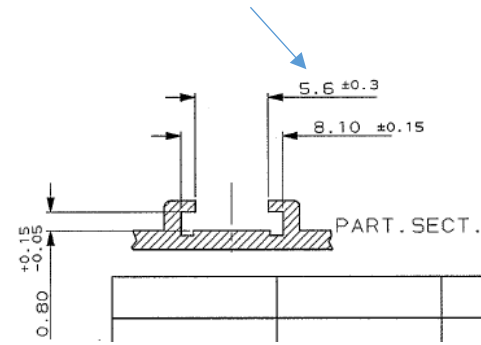
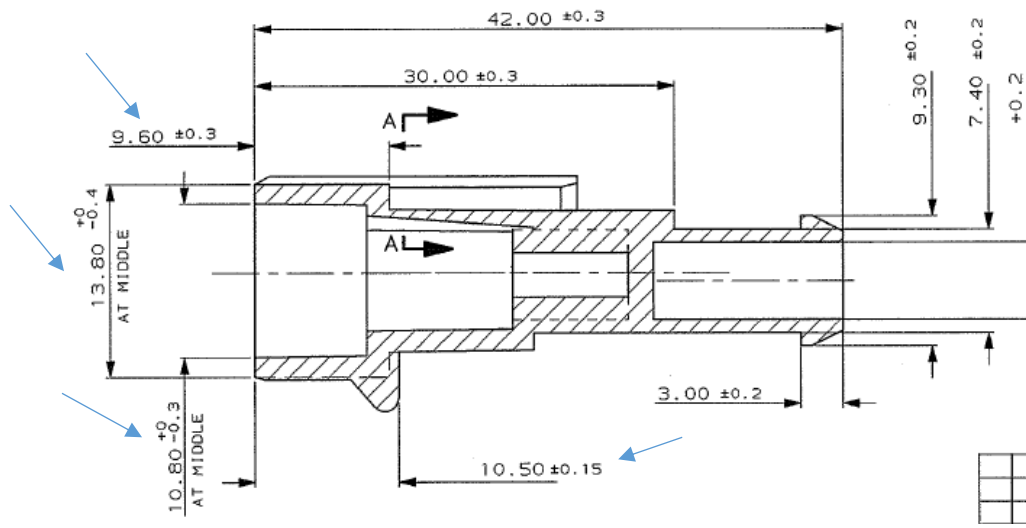


NEW (CUSTOMER DRAWING REV. A3)

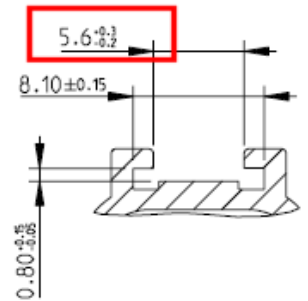
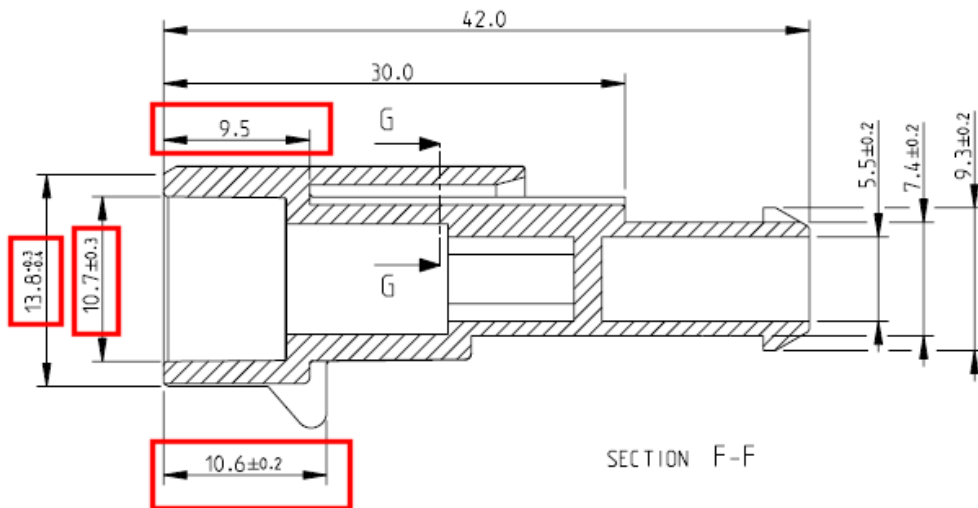


# DRAWING C-1745022

ACTUAL (CUSTOMER DRAWING REV. A1):



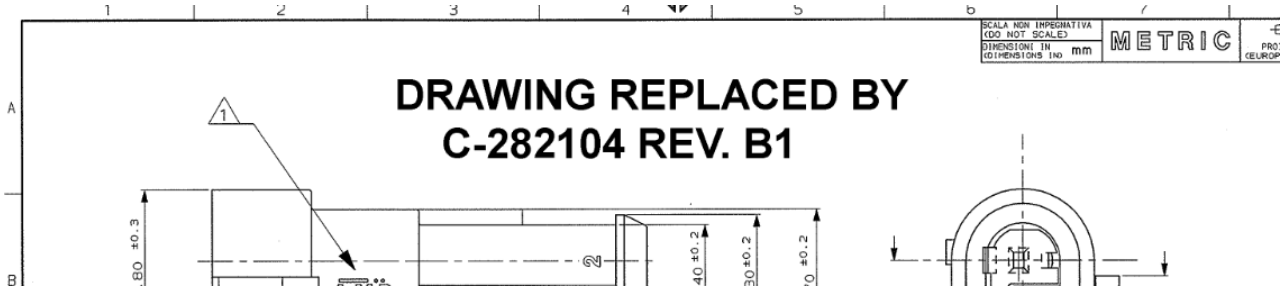
NEW (CUSTOMER DRAWING REV. A2)





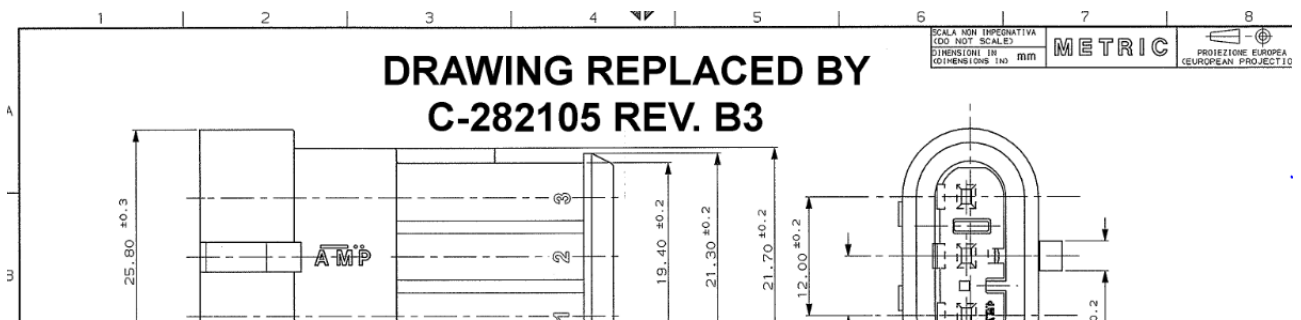
# DRAWING C-1745099

NEW (CUSTOMER DRAWING REV. A2)



# DRAWING C-1745082

NEW (CUSTOMER DRAWING REV. A2)



# DRAWING C-1745084

NEW (CUSTOMER DRAWING REV. A2)

