



# Product Change Notification

Current Date: 06-Mar-2022

## TE Connectivity

**Product Change Notification:** PCN-22-127637

**PCN Date:** 04-MAR-22

**Customer:** TTI, Inc. ( 1305175 )

**Location:** Maisach-gerlinden

**Agreement:** TTI001

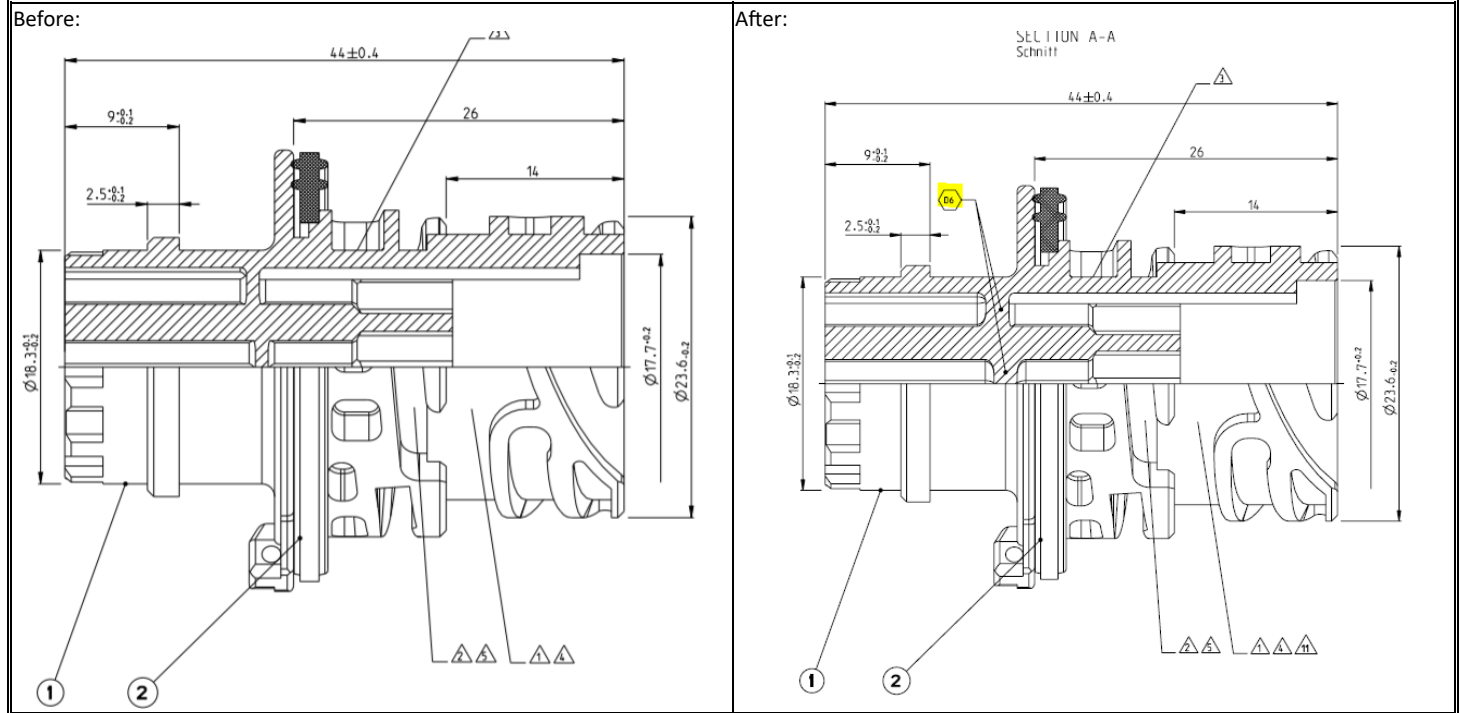
TE would like to inform you of the following change(s) to the listed TE Connectivity Product. In case of any further questions about this change(s), please contact your TE Connectivity Sales Engineer. Affected part, drawing and/or specification numbers are listed on the attached sheet(s).

**General Product Description:** (Text limited to 120 characters)

2.5MM PIN HOUSING, 2-4 POSITION ASSEMBLY

**Description of Changes**

The Industrial and Commercial Transportation business unit of TE Connectivity is making a drawing change to the ordering information and the wall thickness within housing cores for the product drawing(s) listed below. REASON FOR CHANGES: Dear Customer, we hereby inform you of this drawing change. The change is necessary to clarify part marking and ordering information and show the additional wall thickness stated in PCN-21-124260. The change does not impact performance. IMPORTANT: The current and previous revisions of these parts can be used interchangeably in the field. The change(s) are being phased in gradually and previous revision can remain stocked until use. Shipments of both configurations may be mixed.



**Reason for Changes:**

**PCN Attributes:**

<b>Product Category:</b> Connector Housings	<b>Kind of Change:</b> Drawing
<b>Change Feature:</b> Drawing Change	<b>Potential Customer Impact:</b> No Customer Impact
<b>Remarks:</b> Drawing update with PCN-21-124260 change.	

**Estimated Dates:**

<b>Last Order Date</b> (Obsolete Parts Only):	<b>First Ship Date of Changed Items</b> (Changed Parts Only): 15-MAR-2022
<b>Last Ship Date of Changed Items</b> (Obsolete Parts Only):	<b>Last Date for Mixed Shipments:</b> (Changed Parts Only): 15-JUN-2022
<b>Effectivity Date:</b>	<b>Date of First Samples:</b>

The documents listed below are being modified. Related parts that are not explicitly listed on this PCN are not being modified or discontinued as per the PCN. The Last Order Date, Last Ship Date, First Date to Ship Changed Parts and last date for Mixed Shipments apply only to parts explicitly listed on this PCN.

**Note: This PCN contains only document changes, these changes do not affect the form, fit or function of the parts referenced.**

**Customer Drawing(s) Being Modified:**

<b>Drawing Number</b>	<b>Related Part Number</b>	<b>Customer Part Number</b>	<b>Current Revision</b>	<b>New Revision</b>
<a href="#">967402</a>	1-967402-1	TYC1-967402-1	D5	