



Search by part # or keyword



[Login/Register My Account](#)

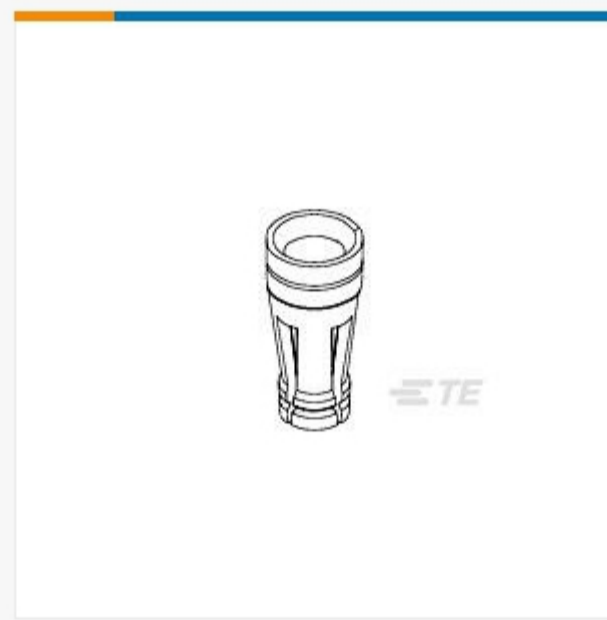


[Products](#) ▾ [Industries & Solutions](#) ▾ [Tools & Resources](#) ▾ [Shop TE Store](#) [About TE](#) ▾

[Connectors](#) ▸ [Sockets](#) ▸ [Pin Sockets](#)

8134-HC-8P3 DO NOT USE FOR NEW DESIGN

Pin Sockets, Socket Length 3.45 mm [.136 in], None, Open Bottom, Through Hole - Press-Fit, Solder, Cable-to-Board, Printed Circuit Board, Signal



HOLTITE
 TE Internal #: **7-1437514-1**
 TE Internal Description: **8134-HC-8P3=TIN/LEAD PER 3.3.2**

Socket Length : **3.45 mm [.136 in]**
 Hole Size (Recommended) : **1.47 mm [.058 in]**
 Solder Process Feature : **None**
 Socket Sleeve Style : **Open Bottom**
 Mating Pin Diameter Range : **.64 – .89 mm [.025 – .035 in]**

[Add to List](#) | [Get Free Samples](#) | [Similar Products](#) | [Digital Datasheet](#)

[Compatible Parts & Tooling](#)

Free Shipping available on most items.

Unit Price (USD): **\$0.30**

The online pricing may vary from your contracted price. Please [login to your account](#) for account specific pricing.

[Volume pricing](#) +

Special Order— Ships within 64 days
 This item is noncancelable and nonreturnable

QTY:
 Extended Price: **\$30,333.00**

[ADD TO CART](#)

[Documents](#) [Features](#) [Product Compliance](#)

Product Drawings 8134-HC-8P3=TIN/LEAD PER 3.3.2
[8134-HC-8P3=TIN/LEAD PER 3.3.2](#)
 English

CAD Files PCB Design
 Download symbol & footprint (SnapEDA)
 3D PDF
[3D_CVM_CVM_7-1437514-1_C.pdf](#)
 3D
 Customer View Model
[ENG_CVM_CVM_7-1437514-1_C.2d_dxf.zip](#)
 English
[ENG_CVM_CVM_7-1437514-1_C.3d_igs.zip](#)
 English
[ENG_CVM_CVM_7-1437514-1_C.3d_stp.zip](#)
 English

Product Specifications Application Specification
[ENG_SS_114-13033_B.pdf](#)
 English
 Product Specification
[ENG_SS_108-1979_B.pdf](#)
 English
 AMP EI Series, Connector
[JPN_SS_108-5118_K.tif](#)
 Japanese
[JPN_SS_108-5118_K.pdf](#)
 Japanese

SHOP OUR DISTRIBUTORS

North America ▾ [See all price breaks](#)

Distributor	1	10,000	Buy
Online Components		\$0.162	SHOP NOW
53,401 in stock			
Avnet Electronics	\$0.420	\$0.196	SHOP NOW
8,792 in stock			
Newark element14	\$0.420	\$0.196	Visit Site
8,792 in stock			

We are here to help!
 Get in touch with our product experts.

[CHAT WITH US](#)
[EMAIL US](#)
[CALL US](#)

Compatible Parts

All Compatible Parts (2)

[Tooling Parts \(1\)](#)

[Associated Parts \(1\)](#)

[Filter By Specification](#)

TOOLING From: \$442.480 In-Stock
399-HT-113
 Insertion & Extraction Tools... [VIEW PRODUCT](#)

ASSOCIATED From: \$368.750 In-Stock
399-HT-114
 399-HT-114=AUTOMATIC... [VIEW PRODUCT](#)

Products with Similar Specs

[View All Similar Products](#)

THIS PRODUCT	TOP RESULTS		
<p>PIN SOCKETS 8134-HC-8P3 Pin Sockets, Socket Length 3.45 mm [.136 in], None, Open Bottom...</p> <p>From \$0.303 In-Stock</p> <p>Socket Length : 3.45 mm Hole Size (Recommended) : 1.47 mm Solder Process Feature : None Socket Sleeve Style : Open Bottom Mating Pin Diameter Range : .64 – .89 mm</p>	<p>PIN SOCKETS 8134-HC-6P2 Pin Sockets, Socket Length 3.45 mm [.136 in], None, Open Bottom...</p> <p>From \$0.365 In-Stock</p> <p>Socket Length : 3.45 mm Hole Size (Recommended) : 1.47 mm Solder Process Feature : None Socket Sleeve Style : Open Bottom Mating Pin Diameter Range : .51 – .76 mm</p>	<p>PIN SOCKETS 8134-HC-6P2 Pin Sockets, Socket Length 3.45 mm [.136 in], None, Open Bottom...</p> <p>From \$0.563 In-Stock</p> <p>Socket Length : 3.45 mm Hole Size (Recommended) : 1.47 mm Solder Process Feature : None Socket Sleeve Style : Open Bottom Mating Pin Diameter Range : .51 – .76 mm</p>	<p>PIN SOCKETS 322-HCS8P2-100 Pin Sockets, Socket Length 3.45 mm [.136 in], None, Open Bottom, .081...</p> <p>In-Stock</p> <p>Socket Length : 3.45 mm Hole Size (Recommended) : 1.61 mm Solder Process Feature : None Socket Sleeve Style : Open Bottom Wire Size : 28 – 25 AWG</p>

Customers Also Bought

<p>TE Part #: 10ESB6 Corcom SB, Single Phase Filters, 10 A, Flanged...</p> <p>\$43.640 per unit Inventory: In-Stock</p> <p>Add To Cart</p>	<p>TE Part #: 35401R8JT CGS 3540, Surface Mount Resistors, Power Resistor...</p> <p>\$1.934 per unit Inventory: In-Stock</p> <p>Add To Cart</p>	<p>TE Part #: DTS20W17-08AA [V001] Standard Circular Connectors...</p> <p>View Product</p>	<p>TE Part #: DTS24W21-35AA [V001] Standard Circular Connectors, Wire-to-Wire...</p> <p>View Product</p>
--	---	--	--

Contact Our Team – 24/7 Support

+1 800 522 6752

[Live Chat](#)

[See Support Details](#)

Connect With Us



Access Partner Information Get Answers Now

[Distributors](#)

[Suppliers](#)

[TE Notice on COVID](#)

[Authorized Distributors](#)

[Product FAQs](#)

[Samples FAQs](#)

[TE Store FAQs](#)

[Terms and Conditions of Sale](#)

[Samples Terms and Conditions](#)

Select Country

[United States \(EN\)](#)

[Germany \(DE\)](#)

[China \(中文\)](#)

[Japan \(日本語\)](#)

[See All Countries](#)