

T9AS1D12-5 ✓ ACTIVE

Potter & Brumfield | Potter & Brumfield T9A

TE Internal #: 2-1393210-0

TE Internal Description: T9AS1D12-5

P&B 30A POWER PCB RELAY - T9A SERIES

[View on TE.com >](#)



Relays, Contactors & Switches > Relays > Power Relays > P&B 30A POWER PCB RELAY - T9A SERIES



Power Relay Type: **Standard**

Coil Magnetic System: **Monostable, DC**

Coil Power Rating Class: **800 – 1000 mW**

Coil Power Rating DC: **1000 mW**

Coil Resistance: **25 Ω**

[All P&B 30A POWER PCB RELAY - T9A SERIES \(77\)](#)

Features

Product Type Features

| | |
|------------------|----------|
| Power Relay Type | Standard |
|------------------|----------|

Electrical Characteristics

| | |
|-----------------------------------|----------------------------|
| Contact Limiting Breaking Current | 30 A |
| Coil Magnetic System | Monostable, DC |
| Coil Power Rating Class | 800 – 1000 mW |
| Coil Power Rating DC | 1000 mW |
| Coil Resistance | 25 Ω |
| Coil Special Features | UL Coil Insulation Class F |
| Coil Voltage Rating | 5 VDC |
| Contact Switching Load (Min) | 1000mA @ 5V |
| Contact Switching Voltage (Max) | 277 VAC |
| Contact Voltage Rating | 277 VAC |

Contact Features

| | |
|------------------------------|-----------------|
| Contact Arrangement | 1 Form A (NO) |
| Contact Current Class | 16 A, 20 – 30 A |
| Contact Current Rating (Max) | 30 A |
| Contact Material | AgCdO |

| | |
|-------------------------|---|
| Contact Number of Poles | 1 |
|-------------------------|---|

| | |
|---------------|---------|
| Terminal Type | PCB-THT |
|---------------|---------|

Mechanical Attachment

| | |
|---------------------|-----------------------|
| Relay Mounting Type | Printed Circuit Board |
|---------------------|-----------------------|

Dimensions

| | |
|---------------|-------------------|
| Product Width | 27.4 mm[1.079 in] |
|---------------|-------------------|

| | |
|----------------|-------------------|
| Product Length | 32.5 mm[1.281 in] |
|----------------|-------------------|

| | |
|----------------|------------------|
| Product Height | 20.4 mm[.803 in] |
|----------------|------------------|

Usage Conditions

| | |
|--------------------------------------|-------|
| Environmental Category of Protection | RTIII |
|--------------------------------------|-------|

Packaging Features

| | |
|------------------|--------------------|
| Packaging Method | Box & Tray, Bundle |
|------------------|--------------------|

Product Compliance

[For compliance documentation, visit the product page on TE.com>](#)

| | |
|------------------------------|---------------|
| EU RoHS Directive 2011/65/EU | Not Compliant |
|------------------------------|---------------|

| | |
|-----------------------------|---------------|
| EU ELV Directive 2000/53/EC | Not Compliant |
|-----------------------------|---------------|

| | |
|---|--------------------------------------|
| China RoHS 2 Directive MIIT Order No 32, 2016 | Restricted Materials Above Threshold |
|---|--------------------------------------|

| | |
|--|--|
| EU REACH Regulation (EC) No. 1907/2006 | <p>欧洲化学品管理局最新发布的SvHCs候选清单: 2019年7月 (201)</p> <p>SvHCs候选清单的声明更新至: 2018年6月 (191)</p> <p>Cadmium oxide (10% in contact)</p> |
|--|--|

| | |
|--|--|
| EU REACH Regulation (EC) No. 1907/2006 | <p>欧洲化学品管理局最新发布的SvHCs候选清单: 2019年7月 (201)</p> <p>SvHCs候选清单的声明更新至: 2018年6月 (191)</p> |
|--|--|

| | |
|-----------------|--|
| Halogen Content | Not Low Halogen - contains Br or Cl > 900 ppm. |
|-----------------|--|

| | |
|---------------------------|------------------------------|
| Solder Process Capability | Wave solder capable to 260°C |
|---------------------------|------------------------------|

Product Compliance Disclaimer

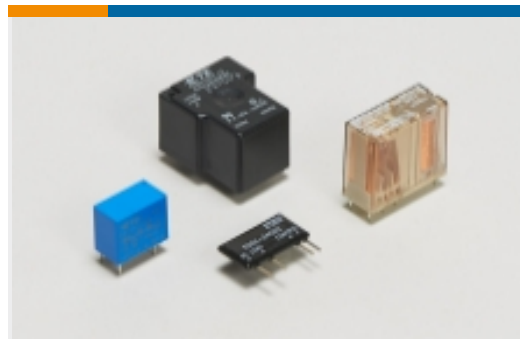
This information is provided based on reasonable inquiry of our suppliers and represents our current actual knowledge based on the information they provided. This information is subject to change. The part numbers that TE has identified as EU RoHS compliant have a maximum concentration of 0.1% by weight in homogenous materials for lead, hexavalent chromium, mercury, PBB, PBDE, DBP, BBP, DEHP, DIBP, and 0.01% for cadmium, or qualify for an exemption to these limits as defined in the Annexes of Directive 2011/65/EU (RoHS2). Finished electrical and electronic equipment products will be CE marked as required by Directive 2011/65/EU. Components may not be CE marked. Additionally, the part numbers that TE has identified as EU ELV compliant have a maximum concentration of 0.1% by weight in homogenous

materials for lead, hexavalent chromium, and mercury, and 0.01% for cadmium, or qualify for an exemption to these limits as defined in the Annexes of Directive 2000/53/EC (ELV). Regarding the REACH Regulations, TE's information on SVHC in articles for this part number is still based on the European Chemical Agency (ECHA) 'Guidance on requirements for substances in articles'(Version: 2, April 2011), applying the 0.1% weight on weight concentration threshold at the finished product level. TE is aware of the European Court of Justice ruling of September 10th, 2015 also known as O5A (Once An Article Always An Article) stating that, in case of 'complex object', the threshold for a SVHC must be applied to both the product as a whole and simultaneously to each of the articles forming part of its composition. TE has evaluated this ruling based on the new ECHA "Guidance on requirements for substances in articles" (June 2017, version 4.0) and will be updating its statements accordingly.

Also in the Series | Potter & Brumfield T9A



Power Cable Assemblies(2)

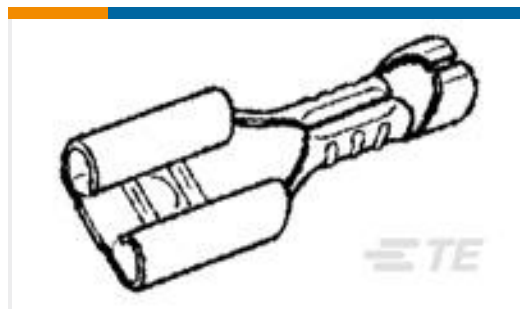


Power Relays(77)

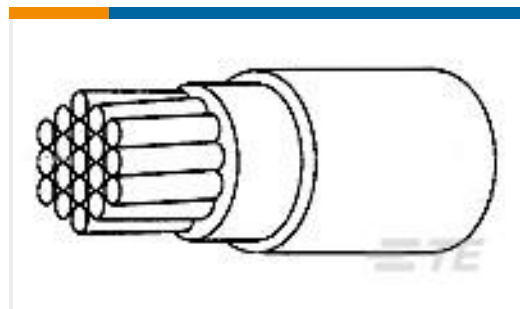
Customers Also Bought



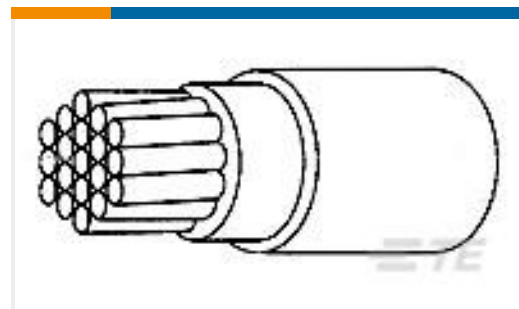
TE Part #1-1623927-2
CFR16 5% 150K



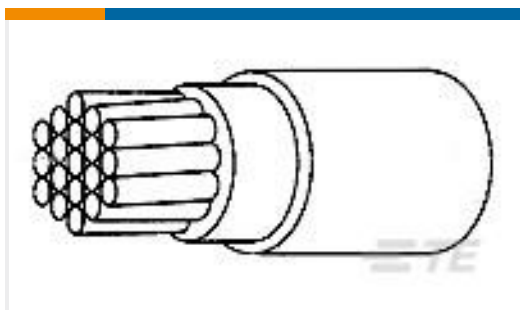
TE Part #1-1627194-2
H953B/150



TE Part #9044313001
99M0111-12-8



TE Part #8641653001
99M0111-22-45



TE Part #3001913001
99M0111-22-7



TE Part #2-2176346-3
CRGCO 1210 4K7 5%



TE Part #4-2176327-4
CRGP 0805 39K 1%



TE Part #5-2176331-2
CRGP 2512 180K 1%



TE Part #1-1440002-7
OZ-SS-106LM1,200



TE Part #5-1879352-7
RR02 5% 68R AMMO



Documents

CAD Files

3D PDF

3D

Customer View Model

[ENG_CVM_CVM_2-1393210-0_J.2d_dxf.zip](#)

English

Customer View Model

[ENG_CVM_CVM_2-1393210-0_J.3d_igs.zip](#)

English

Customer View Model

[ENG_CVM_CVM_2-1393210-0_J.3d_stp.zip](#)

English

Datasheets & Catalog Pages

[T9A DC Coil 30 Amp PC Board or Panel Mount Relay](#)

English

[Industrial Relays Quick Reference Guide](#)

English

[Industrial Relays Quick Reference Guide](#)

Japanese

[Industrial Relays Quick Reference Guide](#)

Product Specifications

[Definitions Relays](#)

English

Product Environmental Compliance

[TE Material Declaration](#)

English