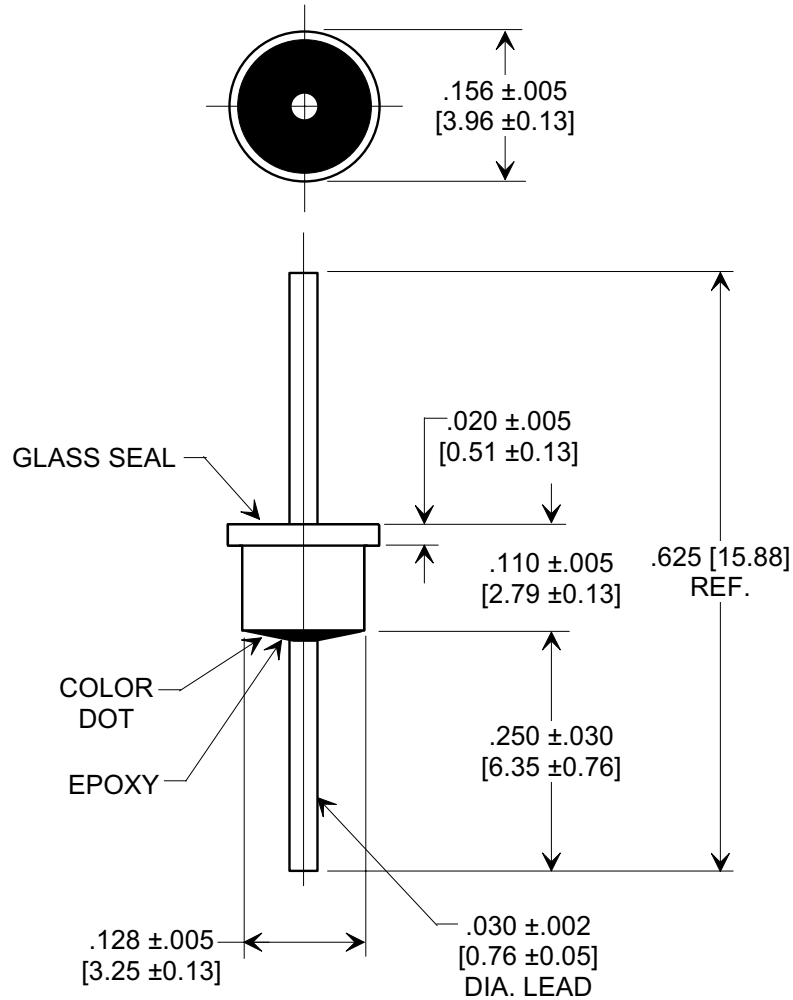


MARKETING SALES DRAWING
 DIMENSIONS IN INCHES - DO NOT SCALE THIS DRAWING
 DIMENSIONS IN METRIC - []

Electrical Testing
 per Tusonix standard
 test plans and Mil-Std-202
 Test Methods.



NOTES:

- Operating temperature range: -55°C to +125°C.
- Gold plated case and lead.
- Epoxy sealed on opposite end from glass seal.
- Max. recommended soldering temperature: 260°C.
See installation recommendations.
- Recommended mounting hole: .135 dia.
- Solder preform available for mounting.
- Tusonix Standard part number: 4300-062.
Tusonix RoHS compliant part number: 4300-062 LF.
Customer must specify Standard or RoHS part number when ordering.
- RoHS compliant part marked with additional dark green dot for identification.

Cx (pF)	TOL.	DC WORKING VOLTAGE		I.R. MIN. @ 100 (VDC.)	DWV (VDC)	DC CURRENT (AMPS)	MIN. NO LOAD INSERTION LOSS (dB) @ 25° C PER MIL-STD-220					COLOR CODE
		85°C	125°C				1 MHz	10 MHz	100 MHz	1 GHz	10 GHz	
1200	±20%	300	200	10 G	500	5	---	5	20	35	45	WHITE/GOLD

REVISION RECORD Original Release C.O. 20021030-1-01 ADDED NOTES 7 & 8. S.M. 05-23-05 20050511-2-36	0	--TOLERANCES-- Unless Otherwise Specified DECIMAL ± NOTED ANGLES ±	Title		
	1		SOLDER MOUNT EMI FILTER		
	Drawn S.M. 10-30-02		Scale 5 X		
	Approved T.C. 10-30-02		A 4300-062		

X-2015 Rev-0

TUSONIX
 TUCSON, ARIZONA