

Slim Slide Potentiometer

PSS1 Series



Features:

- Resistance range 1 kΩ to 1 MΩ
- Temperature range -10°C to +70°C
- Rotational cycles of 15,000 minimum
- Single gang
- Center tap and detent options
- RoHS compliant

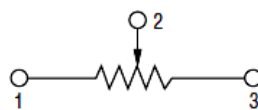


Description:

Slim slide single gang potentiometer. Options include 20mm or 30 mm slide travel; center tap and center detent.

Applications:

- Electric guitars
- Amplifiers
- Mixers
- Drum machines
- Synthesizers



SCHEMATIC

Single Gang

3D Model

To view 3D model:
1) Enable 3D content
2) Click and drag below



If unable to view 3D content,
[download and save this PDF](#)
to your computer and open it
in Adobe Acrobat Reader.

Electrical Characteristics

T_A = 25°C unless otherwise noted

Resistance Range	1 kΩ to 1 MΩ
Standard Resistance Tolerance	500 Ω < R < 1 MΩ: ± 20% R ≤ 500 Ω or R ≥ 1 MΩ: ± 30%
Residual Resistance	Term. 1~2: Less than 30 Ω Term: 2~3: Less than 50 Ω
Resistance Taper	B,W
Maximum Operating Voltage	50 Vac/10 Vdc
Rated Power	0.025 W
Dielectric Strength	1 minute at 250 Vac
Sliding Noise	Less than 100 mV
Insulation Resistance	More than 100 MΩ at 250 Vdc
Gang Error (Dual Unit)	N/A

General Note

TT Electronics reserves the right to make changes in product specification without notice or liability. All information is subject to TT Electronics' own data and is considered accurate at time of going to print.

Mechanical Characteristics

T_A = 25°C unless otherwise noted

Slide Travel	20 mm, 30 mm
Operating Force	10 gf ~ 100 gf
Stopper Strength	3.0 kgf (from the base level to a point of 2mm)
Lever Deviation	30 ~ 150 gf
Lever Push-Pull Strength	3.0 kgf minimum at 10 seconds
Lever Wobble	2 (2XL)/20 mm (maximum) (L: level length both sides)
Operational Life	15,000 cycles minimum

Environmental Characteristics

T_A = 25°C unless otherwise noted

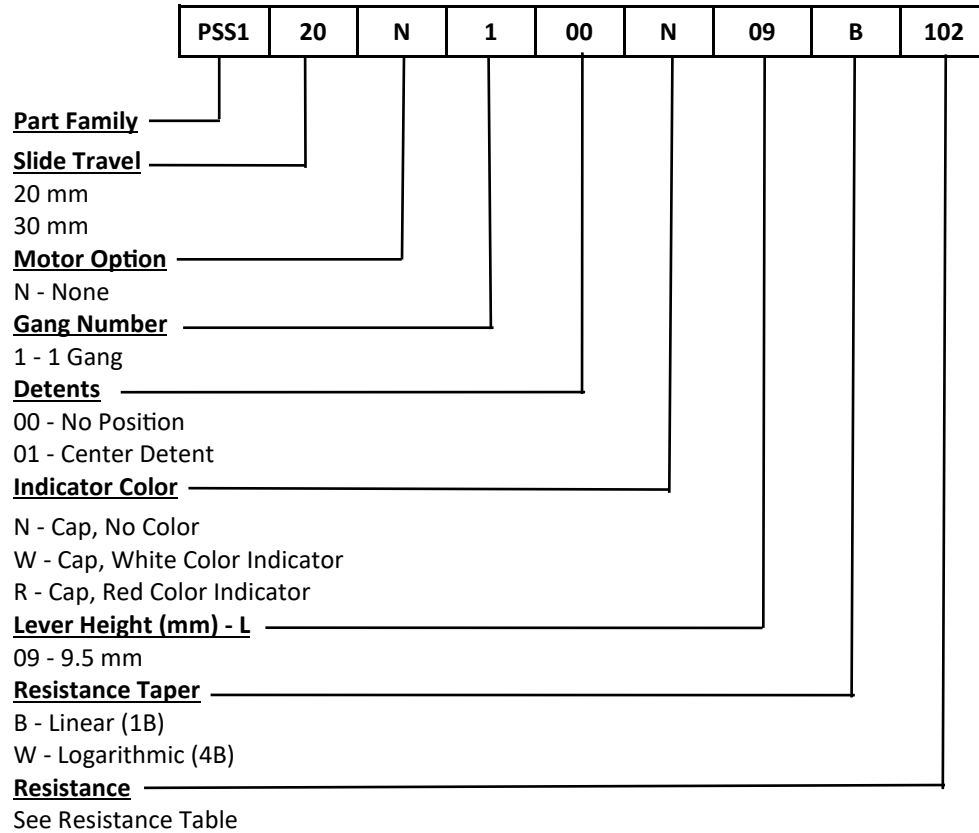
Operating Temperature	-10 °C to + 70 °C
IP Rating	IP 40
Soldering Condition	Wave Soldering 260 °C maximum for 1-3 seconds Hand Soldering 300° C maximum for 3 seconds
RoHS	Please refer to TT Electronics website
REACH	Please refer to TT Electronics website

Slim Slide Potentiometer

PSS1 Series



Ordering Information

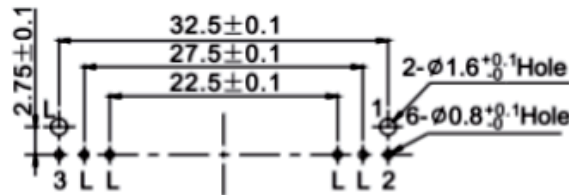
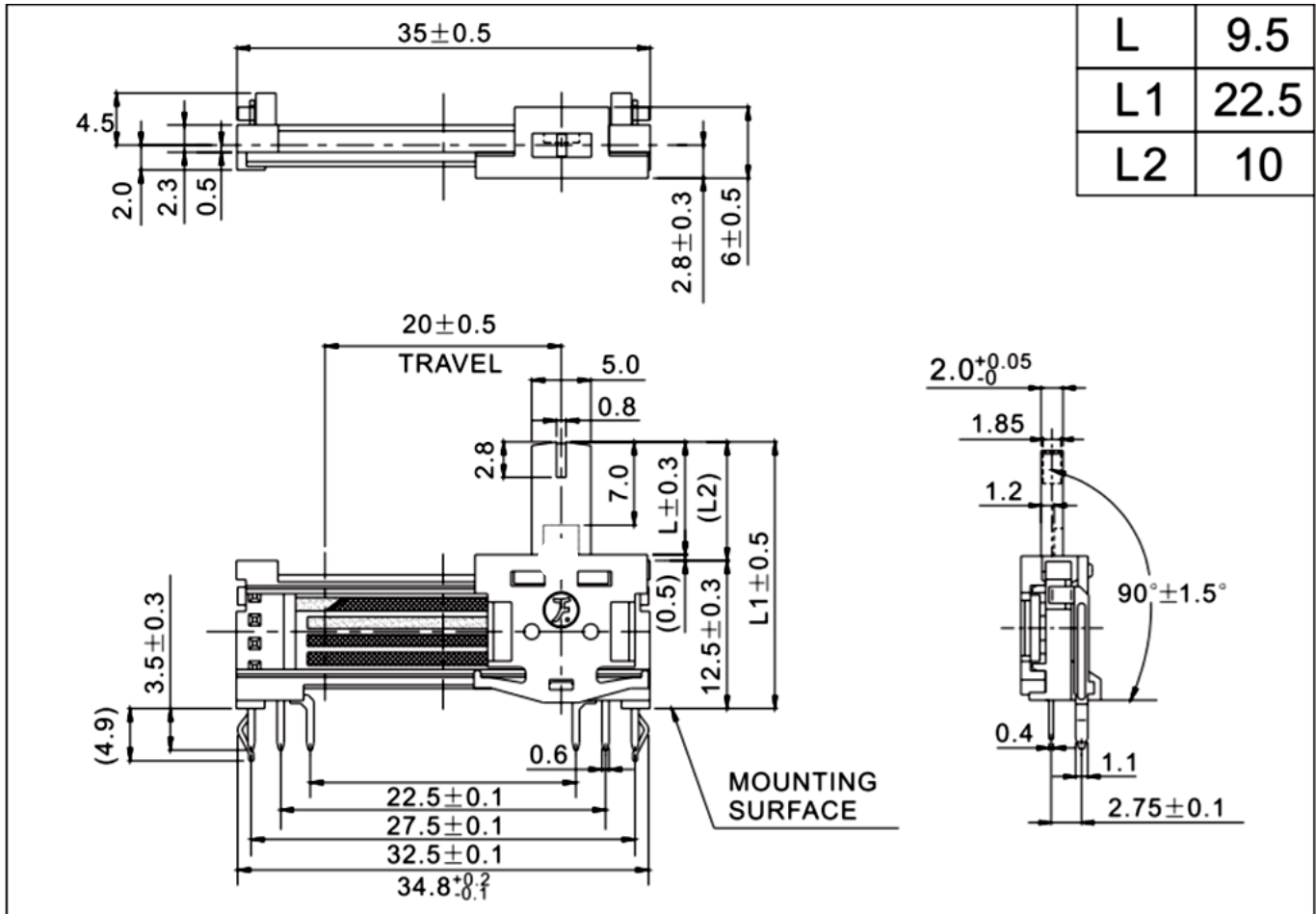


Resistance Table	
Resistance (Ohms)	Code
1,000	102
2,000	202
5,000	502
10,000	103
20,000	203
50,000	503
100,000	104
200,000	204
500,000	504
1,000,000	105

General Note
 TT Electronics reserves the right to make changes in product specification without notice or liability. All information is subject to TT Electronics' own data and is considered accurate at time of going to print.

Outline Drawings

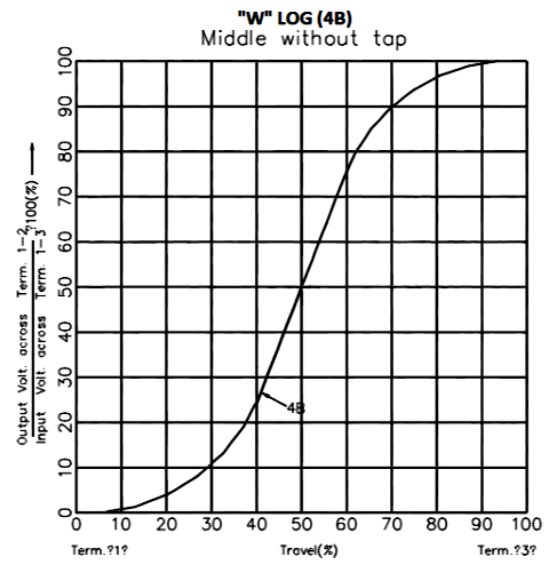
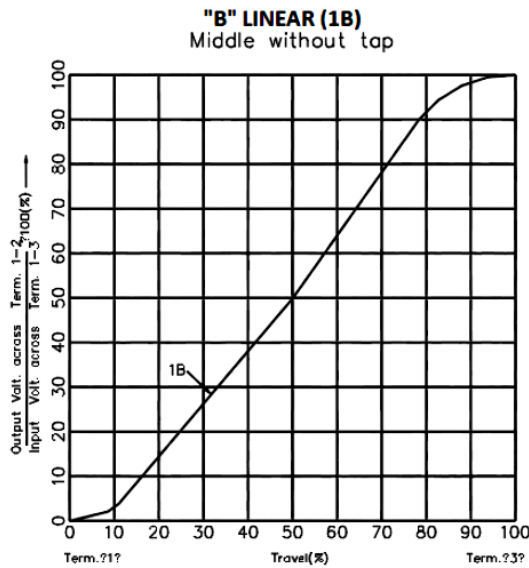
20 mm Travel



General Note
 TT Electronics reserves the right to make changes in product specification without notice or liability. All information is subject to TT Electronics' own data and is considered accurate at time of going to print.

TT Electronics | BI Technologies
 Circulo de la Amistad #102 PIMSA IV Mexicali B.C. Mexico C.P 21210
 Ph: + 1 (714) 447-2345
www.ttelectronics.com/bi-technologies

Standard Tapers



Packaging

Standard Packaging	Plastic Trays
Hardware	N/A