



Triad Magnetics

460 Harley Knox Blvd

Perris CA 92571

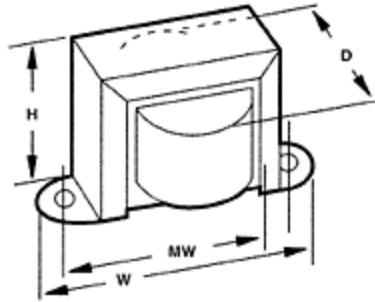
Tel: 951.277.0757 • Fax: 951.277.2757

Email: info@triadmagnetics.com • Website:

www.triadmagnetics.com

Item # C-3X, Smoothing Filter Chokes

Triad chokes are manufactured in a wide variety of inductance values and physical configurations. Smoothing chokes are power supply filter chokes having a core with an air gap which prevents saturation at maximum direct current.



[Check Stock](#) | [Specifications](#) | [Technical Notes](#)

Check Stock

Click here to check stock >>

CHECK STOCK ✓

Specifications

DC Current	50.0 mA
Inductance Henries¹	10.000
Resistance	500.00 Ohm
Case Type	X
Mounting Hole Size	3/16 in

Connections	Leads
Dimension (H)	1 5/8
Dimension (W)	2 13/16
Dimension (D)	1 1/2
Mounting Dimension (MW)	2 3/8
Weight	0.60 lb

Technical Notes

1. Hi-pot tested at 1500 VRMS.
2. Connections by leads or solder lugs.
3. Inductance tolerance -20% +50%.

¹ Inductance tolerance - 20% + 50%