

# TC74LVX273F/FW/FS

## OCTAL D-TYPE FLIP FLOP WITH CLEAR

The TC74LVX273 is a high speed CMOS OCTAL D-FLIP FLOP fabricated with silicon gate C<sup>2</sup>MOS technology. Designed for use in 3.3 Volt systems, it achieves high speed operation while maintaining the CMOS low power dissipation.

This device is suitable for low voltage and battery operated systems.

Information signals applied to D inputs are transferred to the Q outputs on the positive going edge of the clock pulse.

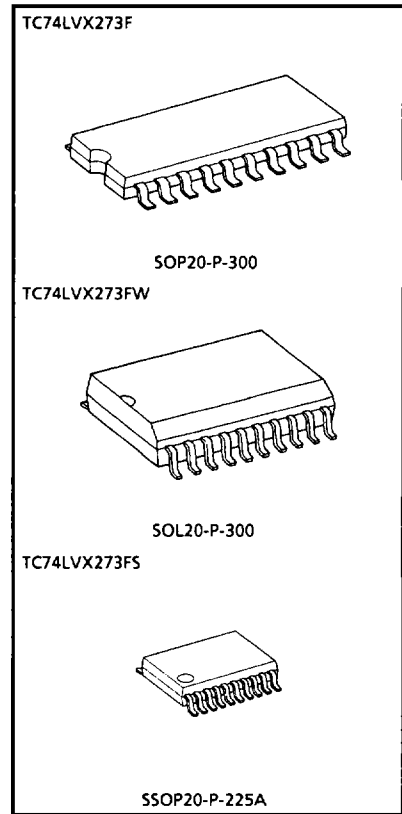
When the  $\overline{\text{CLR}}$  input is held low, the Q outputs are in the low logic level independent of the other inputs.

An input protection circuit ensures that 0 to 7V can be applied to the input pins without regard to the supply voltage. This device can be used to interface 5V to 3V systems and two supply systems such as battery back up.

This circuit prevents device destruction due to mismatched supply and input voltages.

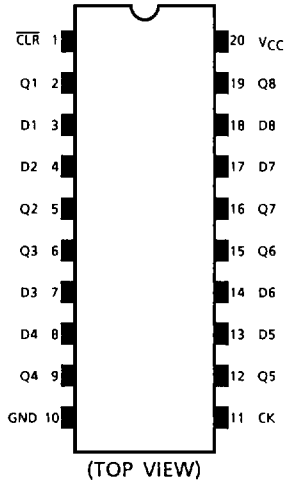
### FEATURES

- High speed :  $f_{\text{MAX}} = 150\text{MHz}$  (Typ.) ( $V_{\text{CC}} = 3\text{V}$ )
- Low power dissipation :  $I_{\text{CC}} = 4\mu\text{A}$  (Max.) ( $T_a = 25^\circ\text{C}$ )
- Input voltage level :  $V_{\text{IL}} = 0.8\text{V}$  (Max.) ( $V_{\text{CC}} = 3\text{V}$ )  
 $V_{\text{IH}} = 2.0\text{V}$  (Min.) ( $V_{\text{CC}} = 3\text{V}$ )
- Power down protection is provided on all inputs.
- Balanced propagation delays :  $t_{\text{pLH}} \approx t_{\text{pHL}}$
- Low noise :  $V_{\text{OLP}} = 0.8\text{V}$  (Max.)
- Pin and function compatible with 74HC273

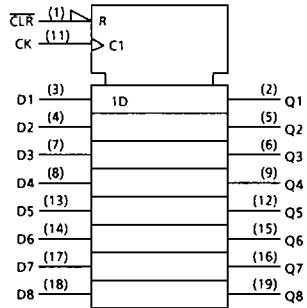


Weight SOP20-P-300 : 0.22g (Typ.)  
SOL20-P-300 : 0.46g (Typ.)  
SSOP20-P-225A : 0.09g (Typ.)

PIN ASSIGNMENT



IEC LOGIC SYMBOL

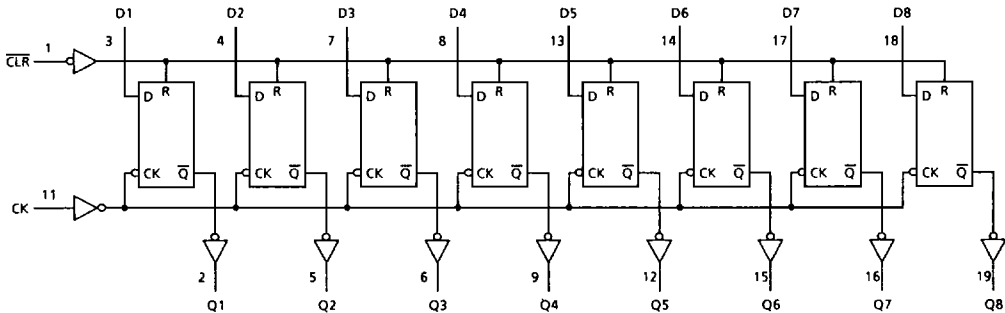


TRUTH TABLE

INPUTS			OUTPUTS	FUNCTION
CLR	D	CK	Q	
L	X	X	L	CLEAR
H	L	$\bar{f}$	L	—
H	H	$\bar{f}$	H	—
H	X	$\bar{L}$	Qn	NO CHANGE

X : Don't Care

SYSTEM DIAGRAM



MAXIMUM RATINGS

PARAMETER	SYMBOL	RATING	UNIT
Supply Voltage Range	V <sub>CC</sub>	-0.5~7.0	V
DC Input Voltage	V <sub>IN</sub>	-0.5~7.0	V
DC Output Voltage	V <sub>OUT</sub>	-0.5~V <sub>CC</sub> +0.5	V
Input Diode Current	I <sub>IK</sub>	-20	mA
Output Diode Current	I <sub>OK</sub>	±20	mA
DC Output Current	I <sub>OUT</sub>	±25	mA
DC V <sub>CC</sub> /Ground Current	I <sub>CC</sub>	±75	mA
Power Dissipation	P <sub>D</sub>	180	mW
Storage Temperature	T <sub>stg</sub>	-65~150	°C
Lead Temperature 10s	T <sub>L</sub>	300	°C

RECOMMENDED OPERATING CONDITIONS

PARAMETER	SYMBOL	RATING	UNIT
Supply Voltage	V <sub>CC</sub>	2.0~3.6	V
Input Voltage	V <sub>IN</sub>	0~5.5	V
Output Voltage	V <sub>OUT</sub>	0~V <sub>CC</sub>	V
Operating Temperature	T <sub>opr</sub>	-40~85	°C
Input Rise And Fall Time	dt/dv	0~100	ns/V

ELECTRICAL CHARACTERISTICS

DC characteristics

PARAMETER	SYM-BOL	TEST CONDITION	V <sub>CC</sub> (V)	Ta = 25°C			Ta = -40~85°C		UNIT				
				MIN.	TYP.	MAX.	MIN.	MAX.					
Input Voltage	"H" Level		V <sub>IH</sub>	2.0	1.5	—	—	1.5	—	V			
				3.0	2.0	—	—	2.0	—				
				3.6	2.4	—	—	2.4	—				
	"L" Level			V <sub>IL</sub>	2.0	—	—	0.5	—		0.5		
					3.0	—	—	0.8	—		0.8		
					3.6	—	—	0.8	—		0.8		
Output Voltage	"H" Level	V <sub>OH</sub> or V <sub>IL</sub>	V <sub>IN</sub> = V <sub>IH</sub> or V <sub>IL</sub>		I <sub>OH</sub> = -50μA	2.0	1.9	2.0	—	1.9	—	V	
					I <sub>OH</sub> = -50μA	3.0	2.9	3.0	—	2.9	—		
					I <sub>OH</sub> = -4mA	3.0	2.58	—	—	2.48	—		
	"L" Level			V <sub>OL</sub>	V <sub>IN</sub> = V <sub>IH</sub> or V <sub>IL</sub>	I <sub>OL</sub> = 50μA	2.0	—	0.0	0.1	—		0.1
						I <sub>OL</sub> = 50μA	3.0	—	0.0	0.1	—		0.1
						I <sub>OL</sub> = 4mA	3.0	—	—	0.36	—		0.44
Input Leakage Current	I <sub>IN</sub>	V <sub>IN</sub> = 5.5V or GND	3.6			—	—	±0.1	—	±1.0	μA		
Quiescent Supply Current	I <sub>CC</sub>	V <sub>IN</sub> = V <sub>CC</sub> or GND	3.6			—	—	4.0	—	40.0	μA		

# TC74LVX273F/FW/FS

Timing requirements (Input  $t_r = t_f = 3ns$ )

PARAMETER	SYM-BOL	TEST CONDITION	Ta = 25°C		Ta = -40~85°C		UNIT
			VCC (V)	LIMIT	LIMIT	LIMIT	
Minimum Pulse Width (CK)	$t_W(L)$ $t_W(H)$		2.7	8.0	9.5	ns	
			3.3 ± 0.3	5.5	6.5		
Minimum Pulse Width (CLR)	$t_W(L)$		2.7	7.5	8.5	ns	
			3.3 ± 0.3	5.0	6.0		
Minimum Set-up Time	$t_s$		2.7	8.0	9.5	ns	
			3.3 ± 0.3	5.5	6.5		
Minimum Hold Time	$t_h$		2.7	1.0	1.0	ns	
			3.3 ± 0.3	1.0	1.0		
Minimum Removal Time (CLR)	$t_{rem}$		2.7	4.0	4.0	ns	
			3.3 ± 0.3	2.5	2.5		

AC characteristics (Input  $t_r = t_f = 3ns$ )

PARAMETER	SYM-BOL	TEST CONDITION	VCC (V)		Ta = 25°C			Ta = -40~85°C		UNIT
			VCC (V)	CL (pF)	MIN.	TYP.	MAX.	MIN.	MAX.	
Propagation Delay Time (CK-Q)	$t_{pLH}$		2.7	15	—	9.0	16.9	1.0	20.5	ns
				50	—	11.5	20.4	1.0	24.0	
	3.3 ± 0.3		15	—	7.1	11.0	1.0	13.0		
			50	—	9.6	14.5	1.0	16.5		
Propagation Delay Time (CLR-Q)	$t_{pHL}$		2.7	15	—	9.3	17.6	1.0	20.5	ns
				50	—	11.8	21.1	1.0	24.0	
			3.3 ± 0.3	15	—	7.3	11.5	1.0	13.5	
				50	—	9.8	15.0	1.0	17.0	
Maximum Clock Frequency	$f_{MAX}$		2.7	15	55	110	—	55	—	MHz
				50	45	60	—	40	—	
			3.3 ± 0.3	15	95	150	—	80	—	
				50	60	90	—	50	—	
Output To Output Skew	$t_{osLH}$ $t_{osHL}$	(Note 1)	2.7	50	—	—	1.5	—	1.5	ns
			3.3 ± 0.3	50	—	—	1.5	—	1.5	
Input Capacitance	$C_{IN}$	(Note 2)			—	4	10	—	10	pF
Power Dissipation Capacitance	$C_{pD}$	(Note 3)			—	31	—	—	—	pF

(Note 1) Parameter guaranteed by design.

$$(t_{osLH} = |t_{pLHm} - t_{pLHn}|, t_{osHL} = |t_{pHLm} - t_{pHLn}|)$$

(Note 2) Parameter guaranteed by design.

(Note 3)  $C_{pD}$  is defined as the value of the internal equivalent capacitance which is calculated from the operating current consumption.

Average operating current can be obtained by the equation :

$$I_{CC(opr.)} = C_{pD} \cdot V_{CC} \cdot f_{IN} + I_{CC}/8 \text{ (per F/F)}$$

And the total CPD when n pcs. of F/F operate can be gained by the following equation :

$$C_{pD}(\text{total}) = 22 + 9 \cdot n$$

Noise characteristics ( $T_a = 25^\circ\text{C}$ , Input  $t_r = t_f = 3\text{ns}$ ,  $C_L = 50\text{pF}$ )

PARAMETER	SYMBOL	TEST CONDITION	$V_{CC}$ (V)	TYP.	LIMIT	UNIT
Quiet Output Maximum Dynamic $V_{OL}$	$V_{OLP}$		3.3	0.5	0.8	V
Quiet Output Minimum Dynamic $V_{OL}$	$V_{OLV}$		3.3	-0.5	-0.8	V
Minimum High Level Dynamic Input Voltage	$V_{IHD}$		3.3	—	2.0	V
Maximum Low Level Dynamic Input Voltage	$V_{ILD}$		3.3	—	0.8	V

INPUT EQUIVALENT CIRCUIT

