

McGILL® 0852, 0862 Series Euro-Style Rocker Switches

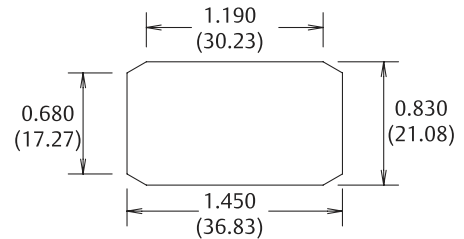


The McGill® 0852, 0862 series feature the patented Euro-design rocker and bezel for applications where aesthetics are as important as functionality. Available with a variety of circuit, termination and lamp configurations, the 0852 or 0862 series can be configured to fit almost any requirement.

Specifications

- UL recognized, CSA certified
 - 15A, 277VAC
 - 3/4 HP, 125-277VAC
- VDE approval available
- 125V and 250VAC neon lamps available
- 14V and 28VDC incandescent lamps available

Panel Opening

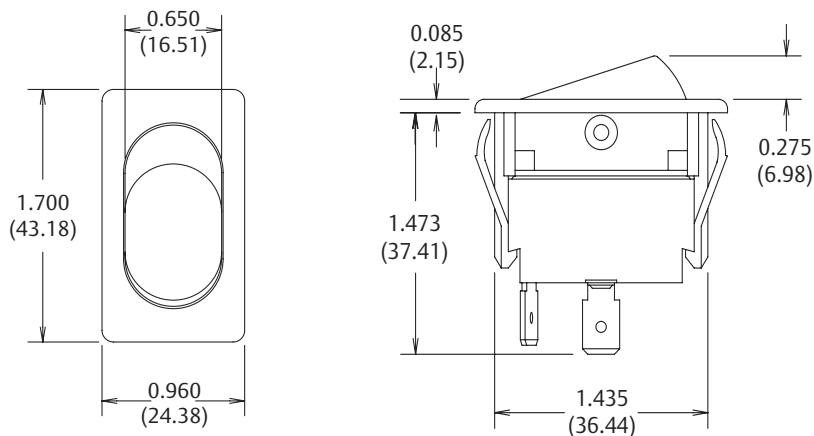


Panel Thickness

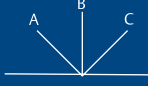
.040 (1.02) – .187 (4.75)

Construction

- .250 x .032 spade terminals
- .187 spade terminals, screw terminals, solder terminals and 16-gauge wire leads are also available. Consult factory for other circuits, colors or custom designs.



Approximate dimensions in inches and (millimeters).

	Circuit Arrangement			Rocker/ Lens Color	Lamp Voltage	Cat. No.	
						Single Pole	Double Pole
	A	B	C				
Unlighted Versions	on	—	off	white	—	0852-0001	0862-0001
	on	off	on	white	—	0852-0002	0862-0002
	on	—	on	white	—	0852-0003	0862-0003
	(on)	—	off	white	—	0852-0004	0862-0004
	on	—	off	black	—	0852-0011	0862-0011
	on	off	on	black	—	0852-0012	0862-0012
	on	—	on	black	—	0852-0013	0862-0013
	(on)	—	off	black	—	0852-0014	0862-0014
	(on)	off	(on)	black	—	0852-0015	0862-0015
	on	—	off	red	—	0852-0021	0862-0021
	on	off	on	red	—	0852-0022	0862-0022
	on	—	on	red	—	0852-0023	0862-0023
	(on)	—	off	red	—	0852-0024	0862-0024
	Lighted Versions	on	—	off	white/clear	125V	0852-1101
on		—	off	white/red	125V	0852-1301	0862-1301
on		—	off	white/green	125V	0852-1401	0862-1401
on		—	off	black/clear	125V	0852-1111	0862-1111
on		—	off	black/red	125V	0852-1311	0862-1311
on		—	off	black/green	125V	0852-1411	0862-1411
on		—	off	red/clear	125V	0852-1121	0862-1121
on		—	off	red/red	125V	0852-1321	0862-1321
on		off	on	white/clear	125V	0852-2102	0862-2102
on		off	on	white/red	125V	0852-2302	0862-2302
on		off	on	white/green	125V	0852-2402	0862-2402
on		off	on	black/clear	125V	0852-2112	0862-2112
on		off	on	black/red	125V	0852-2312	0862-2312
on		off	on	black/green	125V	0852-2412	0862-2412
on		off	on	red/clear	125V	0852-2122	0862-2122
on		off	on	red/red	125V	0852-2322	0862-2322
on		—	on	white/clear	125V	0852-2103	0862-2103
on		—	on	white/red	125V	0852-2303	0862-2303
on		—	on	white/green	125V	0852-2403	0862-2403
on		—	on	black/clear	125V	0852-2113	0862-2113
on		—	on	black/red	125V	0852-2313	0862-2313
on		—	on	black/green	125V	0852-2413	0862-2413
on		—	on	red/clear	125V	0852-2123	0862-2123
on		—	on	red/red	125V	0852-2323	0862-2323
on		—	off	black/clear	14V	0852-4111	0862-4111
on		—	off	black/red	14V	0852-4311	0862-4311
on		off	on	black/clear	14V	0852-4112	0862-4112
on		off	on	black/red	14V	0852-4312	0862-4312
on		—	off	black/clear	28V	0852-5111	0862-5111
on		—	off	black/red	28V	0852-5311	0862-5311
on		off	on	black/clear	28V	0852-5112	0862-5112
on		off	on	black/red	28V	0852-5312	0862-5312

() Momentary

NOTE: For single pole versions, lamp illuminates under depressed portion of actuator. For double pole versions, lamp illuminates opposite depressed portion of actuator. Independent lamps not available on DPDT versions.