

# CGA4J1X8L1V225K125AC

TDK item description : CGA4J1X8L1V225KT\*\*\*



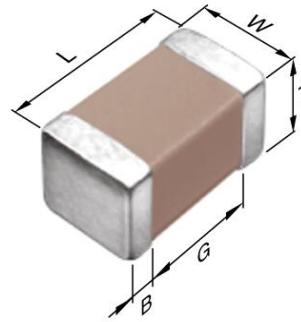
Equivalent C2012X8L1V225K for Automotive

## Application & Main Feature

Automotive grade (General type)

## Series

CGA4(2012) [EIA 0805]



## Dimensions

L 2.00±0.20 mm  
 W 1.25±0.20 mm  
 T 1.25±0.20 mm  
 B 0.20 mm min.  
 G 0.50 mm min.

## Temperature Characteristic

X8L (-55 to +150 degC, +15/-40%)

## Rated Voltage

1V (35Vdc)

## Capacitance

2.2µF

## Capacitance Tolerance

K (±10%)

## DF

5 % max.

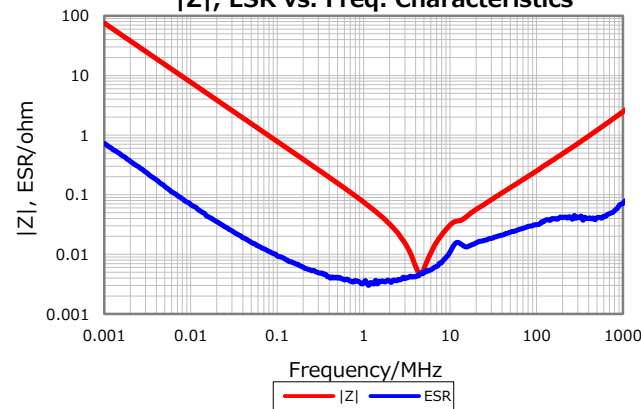
## Insulation Resistance

227 Mohm min.

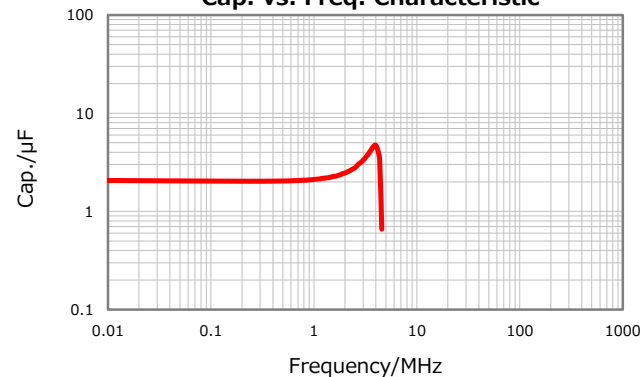
## AEC-Q200

Yes

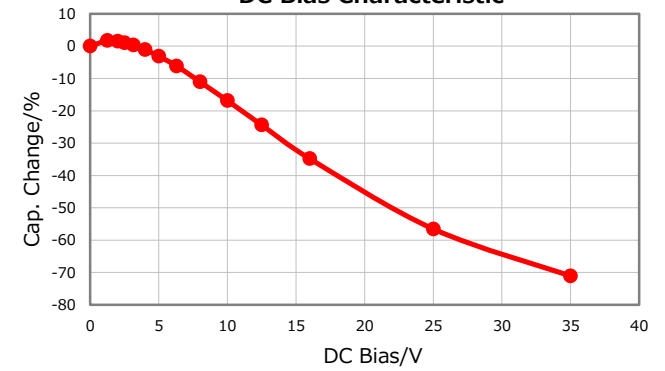
## |Z|, ESR vs. Freq. Characteristics



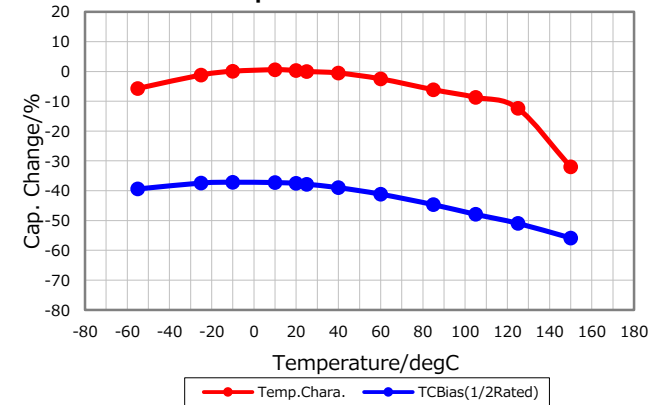
## Cap. vs. Freq. Characteristic



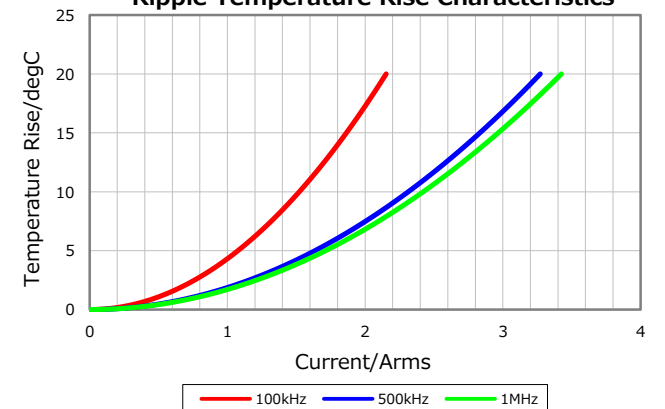
## DC Bias Characteristic



## Temperature Characteristics



## Ripple Temperature Rise Characteristics



Characterization Sheet ( Multilayer Ceramic Chip Capacitors)



⚠ All specifications are subject to change without notice.

August 20, 2020