

CGA4J2C0G2A682J125AA

TDK Item Description : CGA4J2C0G2A682JT***



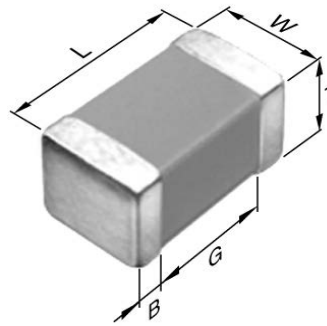
Equivalent C2012C0G2A682J for Automotive

Application & Main Feature

Automotive Grade (Mid Voltage (100 to 630V))

Series

CGA4(2012) [EIA 0805]



Dimensions

| | |
|---|----------------|
| L | 2.00mm ±0.20mm |
| W | 1.25mm ±0.20mm |
| T | 1.25mm ±0.20mm |
| B | 0.20mm Min. |
| G | 0.50mm Min. |

Temperature Characteristic

C0G (-55 to 125 degC 0+/-30ppm/degC)

Rated Voltage

2A(100Vdc)

Capacitance

6.8nF

Capacitance Tolerance

J (±5%)

Q Factor

1000 Min.

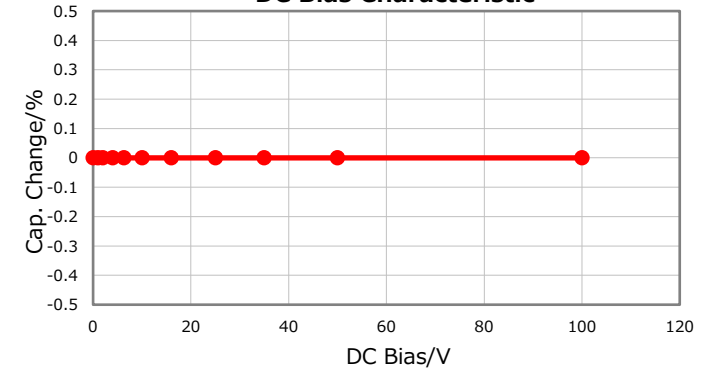
Insulation Resistance

10Gohm Min

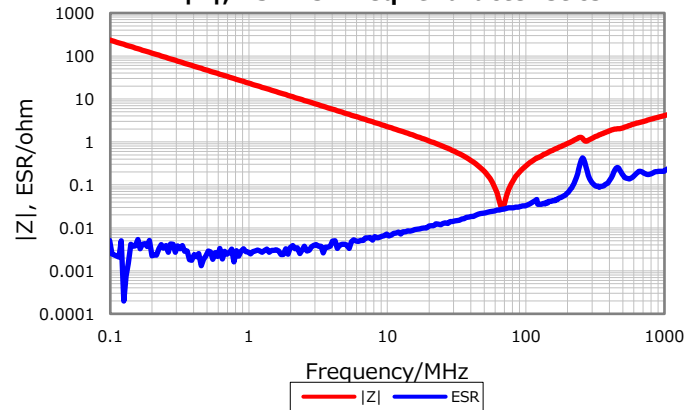
AEC-Q200

Yes

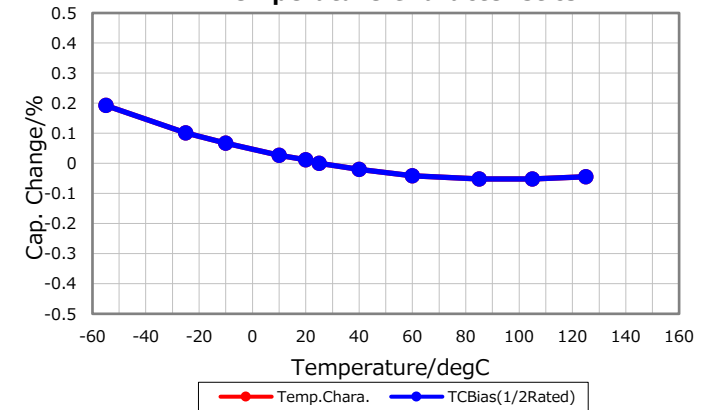
DC Bias Characteristic



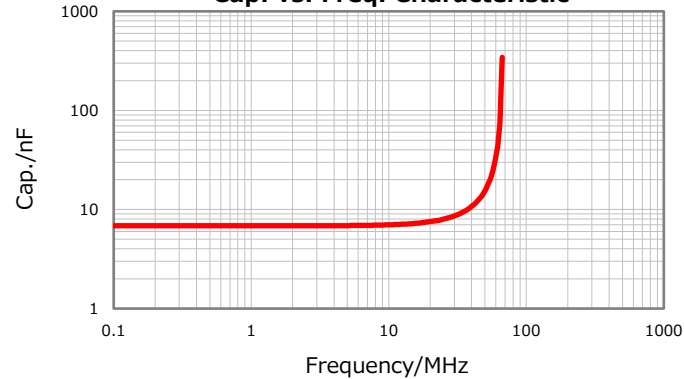
|Z|, ESR vs. Freq. Characteristics



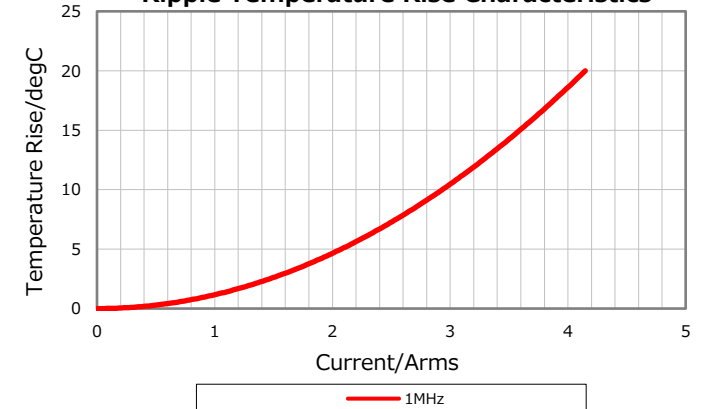
Temperature Characteristics



Cap. vs. Freq. Characteristic



Ripple Temperature Rise Characteristics



Characterization Sheet (Multilayer Ceramic Chip Capacitors)



All specifications are subject to change without notice.

July 2, 2019