

Date 2021/4/1  
 Sales office name  
 Address

**Unification of TDK Manufacturing Label**

Thank you very much for your continued patronage toward TDK products.  
 We are always looking ways to improve our operation for Logistics standardization and Quality management. TDK are planning to unify Manufacturing label (**for TDK plants internal use**) in many TDK Plants.

On the other hand, TDK keep current layout of Shipping Label.  
 If you need any assistance on this matter, please contact our Sales representative by the end of May.

**Scope of Plant :**

Plant : Taiwan

**Type of Label :** Manufacturing label (**for TDK plants internal use**)

Note : Shipping Label (Customer specific Label or TDK Standard Label in outer carton) will be no change.

**Label change timing :** From shipment ex-factory in July 2021

Note : If you need any assistance on this matter, please contact our Sales representative by the end of May.

If you don't have any question and didn't feedback on this matter. TDK will start to shipment ex-factory in July 2021.

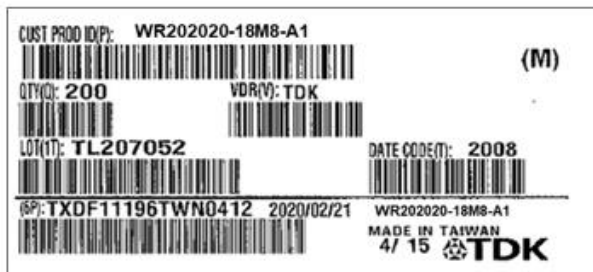
**Change points**

Current Label



NEW Standard Manufacturing Label

WPT Current Label 42 x 100 mm



Label size : 25mm X 100 mm

No.	Item	Note
1	Item code / Country of origin	
2	Batch No / Serial No / QTY	
3	TDK Item description	
4	Issued date	
5	Country of origin	
6	Free Text Area	If needed, product information will be set.

Note : TDK are planning to unify Manufacturing label from July of 2021. TDK has included new label examples in the official specifications from 2020..

This will also ex-factory and use the New Manufacturing Label together in July.

➤ Position of Manufacturing Label

Inner carton and Manufacturing Label location (Image)

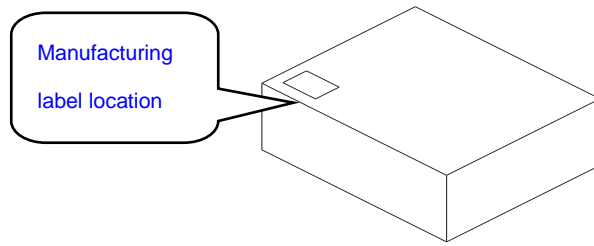


Fig a. Inner carton and Manufacturing Label

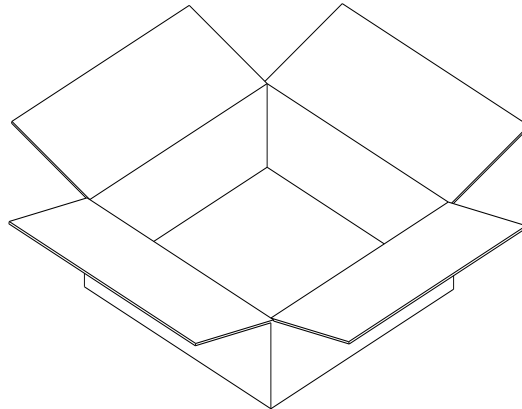


Fig b. Outer carton

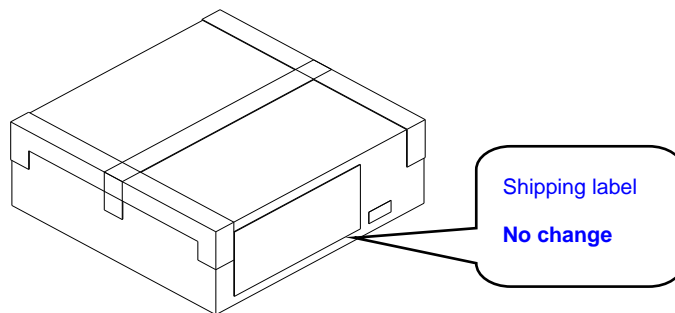


Fig c. Outer carton and Shipping Label

Your kindly understanding is highly appreciated.

---

Sales General Manager