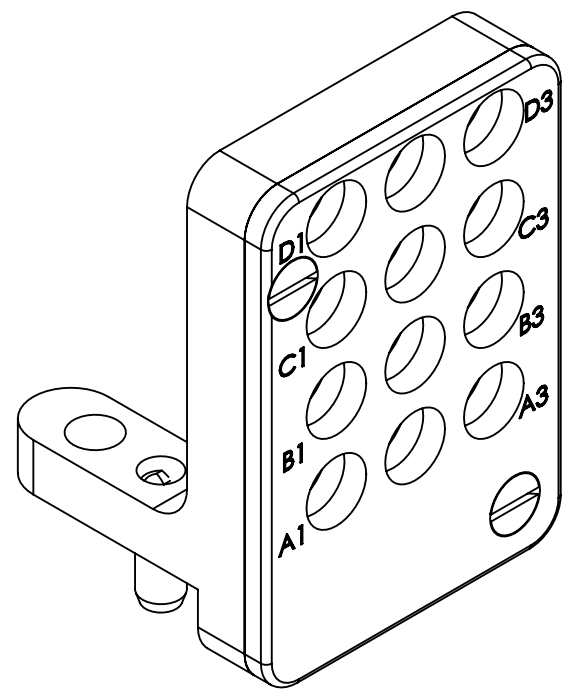
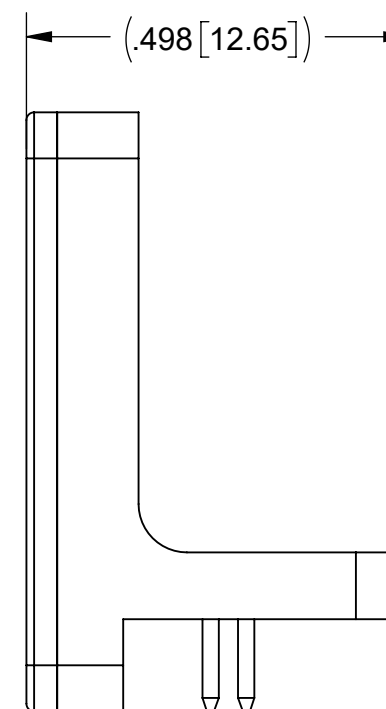
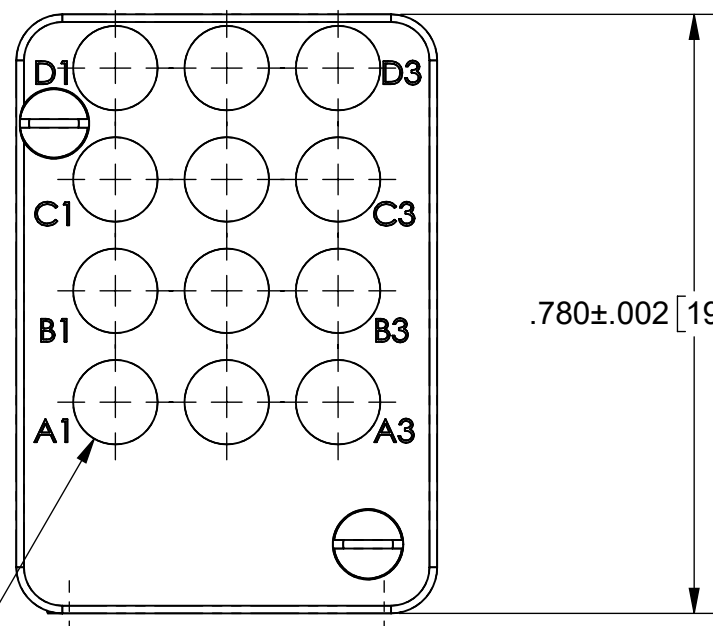


# PRODUCT DATA DRAWING

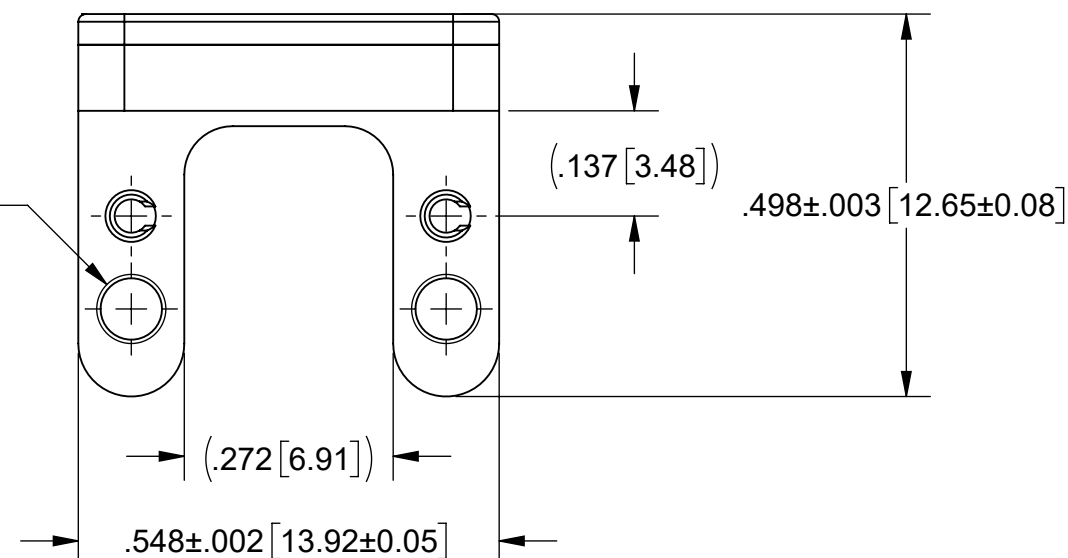
REVISION HISTORY			
REV	DESCRIPTION	DATE	APPROVED
-	DCN 49087	05/19	JDT



12X  $\phi .110 \pm .001 [2.79 \pm 0.03]$



2x 2-56 UNS-2B THRU



**MATERIAL:**

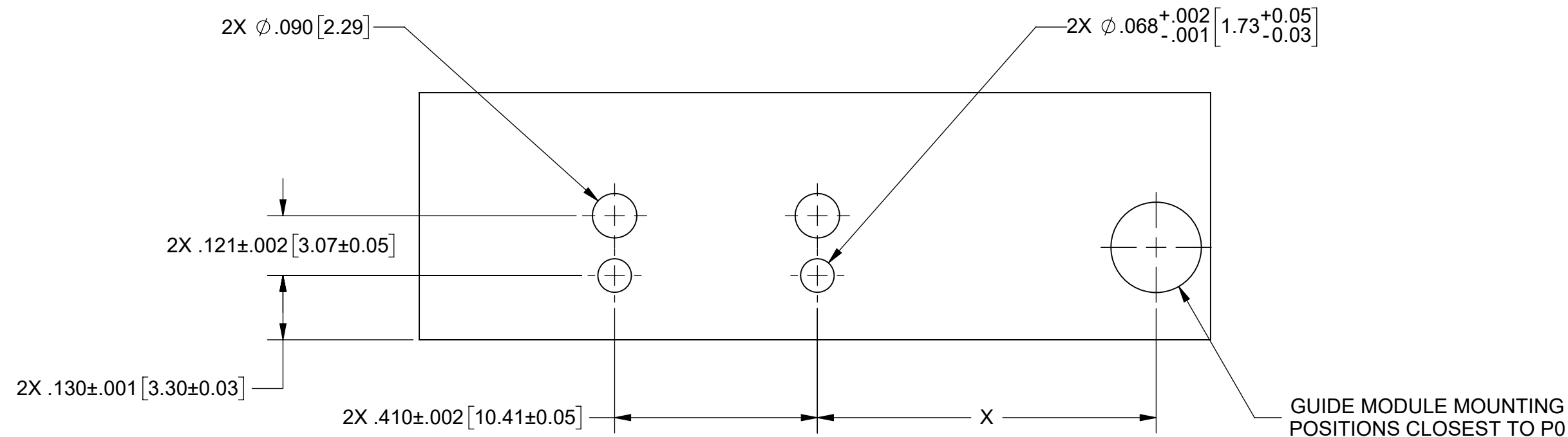
- BODIES: STAINLESS STEEL PER AMS-5640, ALLOY UNS S30300, TYPE 1; OR ASTM A582 TYPE 303, COND. A
- SPRING PINS: 420 STAINLESS STEEL
- SCREWS: 18-8 STAINLESS STEEL

- FINISH: PASSIVATED PER AMS-2700

**NOTES:**  
1. DESIGNED FOR USE WITH SF9321-60084.


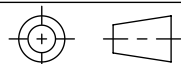
MATERIAL: SEE NOTES	DIMENSIONS ARE IN INCHES TOLERANCES: FRACTIONAL: $\pm 1/64$ ANGULAR: X° $\pm 1'0''$ X'X' $\pm 15'$	UNLESS OTHERWISE SPECIFIED 1) ALL DIMENSIONS ARE IN INCHES (MILLIMETERS) 2) ALL DIMENSIONS ARE AFTER PLATING. 3) BREAK CORNERS & EDGES .005 R. MAX. 4) CHAM. 1ST & LAST THREADS. 5) SURFACE ROUGHNESS 63-MIL-STD-10. 6) DIA: 'S ON COMMON CENTERS TO BE CONCENTRIC WITHIN .005 T.I.R. 7) REMOVE ALL BURRS	 2400 Centrepark West Drive, Suite 100 West Palm Beach, FL 33409 TITLE: VITA 67.3 PLUG-IN MODULE D, 12 PORT, SMPS
FINISH: SEE NOTES	DECIMAL: X $\pm .030$ .XX $\pm .010$ .XXX $\pm .005$	INTERPRET DIMENSIONS AND TOLERANCES PER ASME Y14.5M - 1994	
SURFACE AREA: N/A	THIRD ANGLE PROJECTION	DRAWN: SJ 04/02/19	SIZE   CAGE CODE   DWG. NO. B   95077   SF9311-60166
PROPRIETARY THE INFORMATION CONTAINED IN THIS DRAWING IS THE SOLE PROPERTY OF SV MICROWAVE, INC. ANY REPRODUCTION IN PART OR AS A WHOLE WITHOUT THE WRITTEN PERMISSION OF SV MICROWAVE, INC IS PROHIBITED.		CHECKED: JDT 04/02/19	SCALE: 4:1
		APPROVED: JDT 04/02/19	SHEET 1 OF 2

REVISION HISTORY			
REV	DESCRIPTION	DATE	APPROVED
	SEE SHEET 1		



**RECOMMENDED PCB CUTOUT**

CONNECTOR LOCATION ON DAUGHTER CARD PCB	
POSITION	DIM 'X'
P2A	2.197" [55.80]
P2B	2.753" [69.93]
P3A	3.885" [98.68]
P3B	4.441" [112.80]
P4A	5.019" [127.48]
P4B	5.575" [141.61]
P5A	6.153" [156.29]
P5B	6.709" [170.41]
P6A	7.287" [185.09]
P6B	7.843" [199.21]

MATERIAL: SEE NOTES	DIMENSIONS ARE IN INCHES TOLERANCES: FRACTIONAL: $\pm 1/64$ ANGULAR: X° $\pm 1'0"$ X'X' $\pm 15'$	UNLESS OTHERWISE SPECIFIED	 <p>Amphenol 2400 Centrepark West Drive, Suite 100 West Palm Beach, FL 33409</p>
FINISH: SEE NOTES	DECIMAL: X $\pm .030$ .XX $\pm .010$ .XXX $\pm .005$	1) ALL DIMENSIONS ARE IN INCHES (MILLIMETERS) 2) ALL DIMENSIONS ARE AFTER PLATING. 3) BREAK CORNERS & EDGES .005 R. MAX. 4) CHAM. 1ST & LAST THREADS. 5) SURFACE ROUGHNESS 63-MIL-STD-10. 6) DIA: 'S ON COMMON CENTERS TO BE CONCENTRIC WITHIN .004 T.I.R. 7) REMOVE ALL BURRS	
SURFACE AREA: N/A	INTERPRET DIMENSIONS AND TOLERANCES PER ASME Y14.5M - 1994	THIRD ANGLE PROJECTION	TITLE: VITA 67.3 PLUG-IN MODULE D, 12 PORT, SMPS
PROPRIETARY THE INFORMATION CONTAINED IN THIS DRAWING IS THE SOLE PROPERTY OF SV MICROWAVE, INC. ANY REPRODUCTION IN PART OR AS A WHOLE WITHOUT THE WRITTEN PERMISSION OF SV MICROWAVE, INC IS PROHIBITED.		DRAWN: SJ 04/02/19 CHECKED: JDT 04/02/19 APPROVED: JDT 04/02/19	SIZE: B CAGE CODE: 95077 DWG. NO.: SF9311-60166 SCALE: 4:1 SHEET 2 OF 2