



Ordering Information		
Part Numbers	Description	Module Speed
SG572128CG8RWDB	512Mx72 (4GB), DDR2, 244-pin Mini-DIMM, Registered, ECC, 256Mx8 Based (Stacked - two 128Mx8), DDR2-400-333, 30.00mm, Green Module (RoHS Compliant).	PC2-3200 @ CL 3.0
SG572128CG8RWDG	512Mx72 (4GB), DDR2, 244-pin Mini-DIMM, Registered, ECC, 256Mx8 Based (Stacked - two 128Mx8), DDR2-533-444, 30.00mm, Green Module (RoHS Compliant).	PC2-4200 @ CL 4.0
SG572128CG8RWIL	512Mx72 (4GB), DDR2, 244-pin Mini-DIMM, Registered, ECC, 256Mx8 Based (Stacked - two 128Mx8), DDR2-667-555, 30.00mm, Green Module (RoHS Compliant).	PC2-5300 @ CL 5.0
SG572128CG8RWIR	512Mx72 (4GB), DDR2, 244-pin Mini-DIMM, Registered, ECC, 256Mx8 Based (Stacked - two 128Mx8), DDR2-800-555, 30.00mm, Green Module (RoHS Compliant).	PC2-6400 @ CL 5.0
SG572128CG8RWKF	512Mx72 (4GB), DDR2, 244-pin Mini-DIMM, Registered, ECC, 256Mx8 Based (Stacked - two 128Mx8), DDR2-800-666, 30.00mm, Green Module (RoHS Compliant).	PC2-6400 @ CL 6.0

(All specifications of this module are subject to change without notice.)



Revision History

- **June 17, 2009**
Datasheet released.



**4GByte (512Mx72) DDR2 SDRAM Module - 256Mx8 Based (Stacked - two 128Mx8)
244-pin Mini-DIMM, Registered, ECC**

Features

- Standard : JEDEC
- Configuration : ECC
- Cycle Time : 5.0ns (DDR2-400)
3.75ns (DDR2-533)
3.0ns (DDR2-667)
2.5 (DDR2-800)
- CAS# Latency : 3.0, 4.0 (-DB/-DG)
4.0, 5.0 (-IL/-IR)
5.0, 6.0 (-KF)
- Posted CAS#/Additive Latency (AL) : 0, 1.0, 2.0, 3.0 & 4.0
- Write Latency (WL) : Read (CAS#) Latency - 1
- Burst Length : 4, 8
- Burst Type : Sequential/Interleave
- Module Ranks : 4 Ranks of x8 devices
- No. of Devices : 36
- No. of Internal Banks per SDRAM : 8
- Operating Voltage : 1.8V
- Refresh : 8K/64ms
- Device Physicals : Stacked FBGA
- Lead Finish : Gold
- Length x Height : 82.00mm x 30.00mm
- No. of sides : Double-sided
- Mating Connector (Examples)
Vertical : Molex - 87782-2001
Horizontal : Molex - 87918-0001

DDR2 244-pin Mini-DIMM Pin List

Pin No.	Pin Name	Pin No.	Pin Name	Pin No.	Pin Name	Pin No.	Pin Name	Pin No.	Pin Name	Pin No.	Pin Name	Pin No.	Pin Name
1	VREF	36	DQS3#	71	BA0	106	DQS6#	141	VSS	176	A15 (NC)	211	VSS
2	VSS	37	DQS3	72	VDD	107	DQS6	142	DQ14	177	A14 (NC)	212	DQ44
3	DQ0	38	VSS	73	WE#	108	VSS	143	DQ15	178	VDDQ	213	DQ45
4	DQ1	39	DQ26	74	VDD	109	DQ50	144	VSS	179	A12	214	VSS
5	VSS	40	DQ27	75	CAS#	110	DQ51	145	DQ20	180	A9	215	DM5
6	DQS0#	41	VSS	76	VDDQ	111	VSS	146	DQ21	181	VDD	216	NC
7	DQS0	42	CB0	77	CS1#	112	DQ56	147	VSS	182	A8	217	VSS
8	VSS	43	CB1	78	ODT1	113	DQ57	148	DM2	183	A6	218	DQ46
9	DQ2	44	VSS	79	VDDQ	114	VSS	149	NC	184	VDDQ	219	DQ47
10	DQ3	45	DQS8#	80	NC	115	DQS7#	150	VSS	185	A3	220	VSS
11	VSS	46	DQS8	81	VSS	116	DQS7	151	DQ22	186	A1	221	DQ52
12	DQ8	47	VSS	82	DQ32	117	VSS	152	DQ23	187	VDD	222	DQ53
13	DQ9	48	CB2	83	DQ33	118	DQ58	153	VSS	188	CK0	223	VSS
14	VSS	49	CB3	84	VSS	119	DQ59	154	DQ28	189	CK0#	224	CS2#
15	DQS1#	50	VSS	85	DQS4#	120	VSS	155	DQ29	190	VDD	225	CS3#
16	DQS1	51	NC	86	DQS4	121	SA0	156	VSS	191	A0	226	VSS
17	VSS	52	VDDQ	87	VSS	122	SA1	157	DM3	192	BA1	227	DM6
18	RESET#	53	CKE0	88	DQ34	123	VSS	158	NC	193	VDD	228	NC
19	NC	54	VDD	89	DQ35	124	DQ4	159	VSS	194	RAS#	229	VSS
20	VSS	55	BA2	90	VSS	125	DQ5	160	DQ30	195	VDDQ	230	DQ54

DDR2 244-pin Mini-DIMM Pin List (Contd.)

Pin No.	Pin Name	Pin No.	Pin Name	Pin No.	Pin Name	Pin No.	Pin Name	Pin No.	Pin Name	Pin No.	Pin Name	Pin No.	Pin Name
21	DQ10	56	NC	91	DQ40	126	V _{SS}	161	DQ31	196	CS0#	231	DQ55
22	DQ11	57	V _{DDQ}	92	DQ41	127	DM0	162	V _{SS}	197	V _{DDQ}	232	V _{SS}
23	V _{SS}	58	A11	93	V _{SS}	128	NC	163	CB4	198	ODT0	233	DQ60
24	DQ16	59	A7	94	DQS5#	129	V _{SS}	164	CB5	199	A13	234	DQ61
25	DQ17	60	V _{DD}	95	DQS5	130	DQ6	165	V _{SS}	200	V _{DD}	235	V _{SS}
26	V _{SS}	61	A5	96	V _{SS}	131	DQ7	166	DM8	201	NC	236	DM7
27	DQS2#	62	A4	97	DQ42	132	V _{SS}	167	NC	202	V _{SS}	237	NC
28	DQS2	63	V _{DDQ}	98	DQ43	133	DQ12	168	V _{SS}	203	DQ36	238	V _{SS}
29	V _{SS}	64	A2	99	V _{SS}	134	DQ13	169	CB6	204	DQ37	239	DQ62
30	DQ18	65	V _{DD}	100	DQ48	135	V _{SS}	170	CB7	205	V _{SS}	240	DQ63
31	DQ19	66	V _{SS}	101	DQ49	136	DM1	171	V _{SS}	206	DM4	241	V _{SS}
32	V _{SS}	67	V _{SS}	102	V _{SS}	137	NC	172	NC	207	NC	242	SDA
33	DQ24	68	NC	103	SA2	138	V _{SS}	173	V _{DDQ}	208	V _{SS}	243	SCL
34	DQ25	69	V _{DD}	104	NC	139	DU	174	CKE1	209	DQ38	244	V _{DDSPD}
35	V _{SS}	70	A10/AP	105	V _{SS}	140	DU	175	V _{DD}	210	DQ39		

Pin Description Table

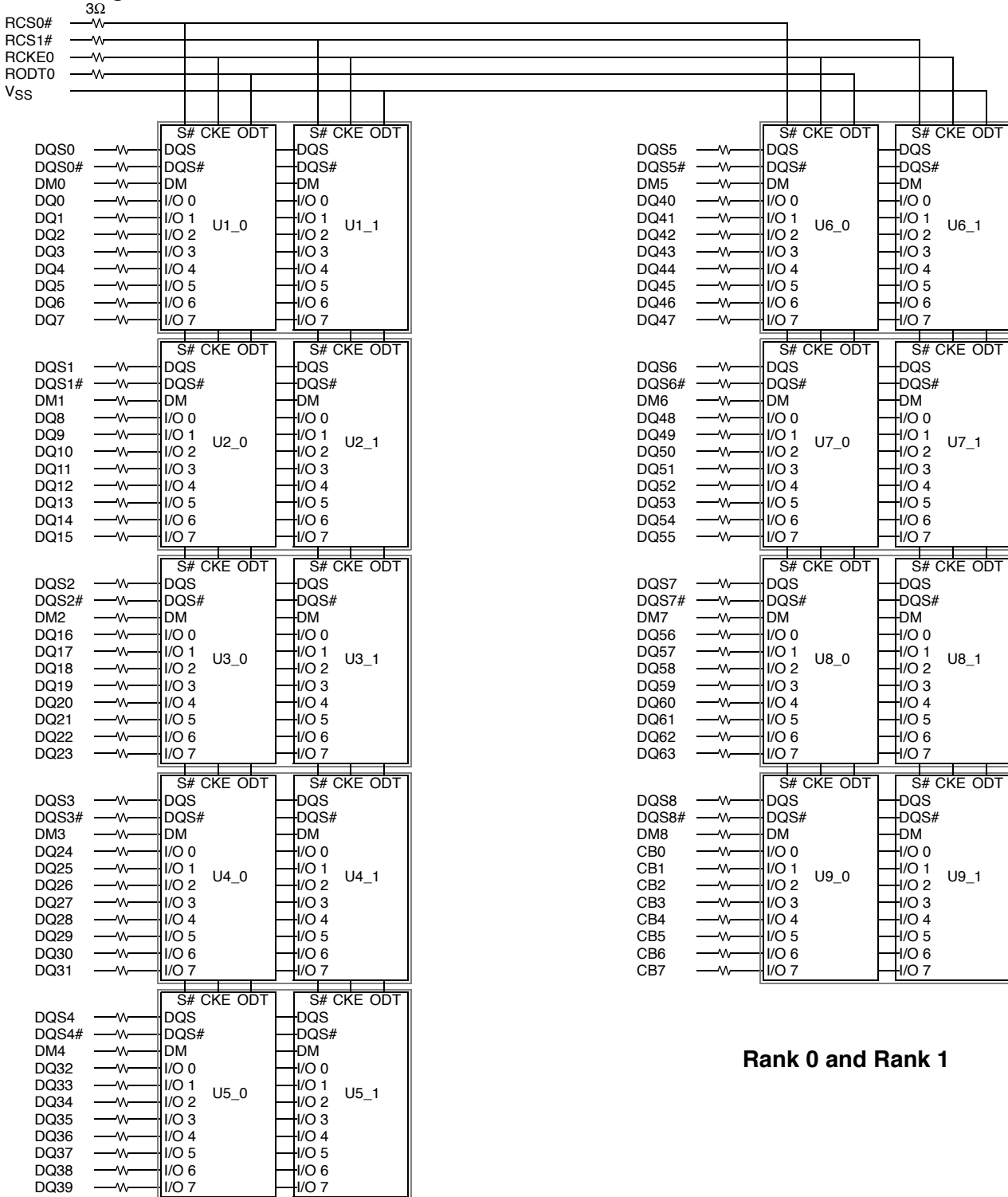
Symbol	Type	Polarity	Function
CK0	SSTL_18	Positive Edge	Positive line of the differential pair of system clock inputs. (All DDR2 SDRAM address and control inputs are sampled on the rising edge of their associated clocks. Output data is referenced at the crossings of the clocks.)
CK0#	SSTL_18	Negative Edge	Negative line of the differential pair of system clock inputs.
ODT0, ODT1	SSTL_18	Active High	On-Die Termination: ODT when high enables termination resistance internal to the DDR2 SDRAM. When enabled, ODT is only applied to each of the following pins: DQ, DQS, and DM. The ODT input will be ignored if disabled in Extended Mode Register (EMRS).
CKE0, CKE1	SSTL_18	Active High	Activates the DDR2 SDRAM CLK signal when high and deactivates the CLK signal when low. By deactivating the clocks, CKE low initiates the Power Down mode, or the Self Refresh mode.
CS0#~CS3#	SSTL_18	Active Low	Enables the associated DDR2 SDRAM command decoder when low and disables decoder when high. When decoder is disabled, new commands are ignored but previous operations continue.
RAS#, CAS#, WE#	SSTL_18	Active Low	When sampled at the positive rising edge of the clock, CAS#, RAS#, and WE# define the operations to be executed by the SDRAM.
BA0~BA2	SSTL_18	-	Bank Address define to which bank an Activate, Read, Write or Precharge command is being applied. Bank address also determines if the Mode Register or Extended Mode Register is to be accessed during a MRS or EMRS cycle.

Pin Description Table (Contd.)

Symbol	Type	Polarity	Function
A0~A9, A10/AP, A11~A13	SSTL_18	-	During a Bank Activate command cycle, A0-A13 defines the row address (RA0-RA13) when sampled at the rising clock edge. During a Read or Write command cycle, A0-A9 defines the column address (CA0-CA9) when sampled at the rising clock edge. In addition to the column address, A10/AP is used to invoke autoprecharge operation at the end of the burst read or write cycle. If AP is high, autoprecharge is selected and BA0~BA2 defines the bank to be precharged. If AP is low, autoprecharge is disabled. During a Precharge command cycle, A10/AP is used in conjunction with BA0~BA2 to control which bank(s) to precharge. If AP is high, all banks will be precharged regardless of the state of BA0~BA2. If AP is low, BA0~BA2 are used to define which bank to precharge. The address inputs also provide the op-code during Mode Register Set commands.
DQ0~DQ63 CB0~CB7	SSTL_18	-	Data and Check Bit Input/Output pins.
DQS0~DQS8	SSTL_18	Positive Edge	DDR2 SDRAM differential data strobe for input and output data.
DQS0#~DQS8#	SSTL_18	Negative Edge	DDR2 SDRAM differential data strobe for input and output data.
DM0~DM8	SSTL_18	Active High	DM is an input mask signal for write data. Input data is masked when DM is sampled high coincident with that input data during a write access. DM is sampled on both edges of DQS. Although DM pins are input only, the DM loading matches the DQ/DQS loading.
SA0~SA2	LVTTTL	-	Slave Address Select for EEPROM. These pins are used to configure the presence-detect device.
SDA	LVTTTL	-	Serial Bus Data Line for EEPROM. SDA is a bidirectional pin used to transfer addresses and data into and out of the presence-detect portion of the module. A resistor must be connected from the SDA bus line to V _{DDSPD} to act as pull up on the system board.
SCL	LVTTTL	-	Serial Bus Clock for EEPROM. SCL is used to synchronize the presence-detect data transfer to and from the module. A resistor may be connected from the SCL bus line to V _{DDSPD} to act as pull up on the system board.
RESET#	LV-CMOS	Active Low	Register and PLL control pin. When low, all register outputs will be driven low and the PLL clocks to the DRAM and register will be set to low levels (the PLL will remain synchronized with the input clock, if within spec range).
V _{DD}	Supply	-	SDRAM positive power supply. 1.8V±0.1V
V _{SS}	Supply	-	Power supply return (ground).
V _{REF}	Supply	-	SDRAM I/O reference supply.
V _{DDQ}	Supply	-	SDRAM I/O Driver positive power supply. 1.8V±0.1V
V _{DDSPD}	Supply	-	Serial EEPROM positive power supply (wired to a separate power pin at the connector which supports operation from 1.7V to 3.6V).
NC	-	-	No Connect.
DU	-	-	Do not use.



Block Diagram

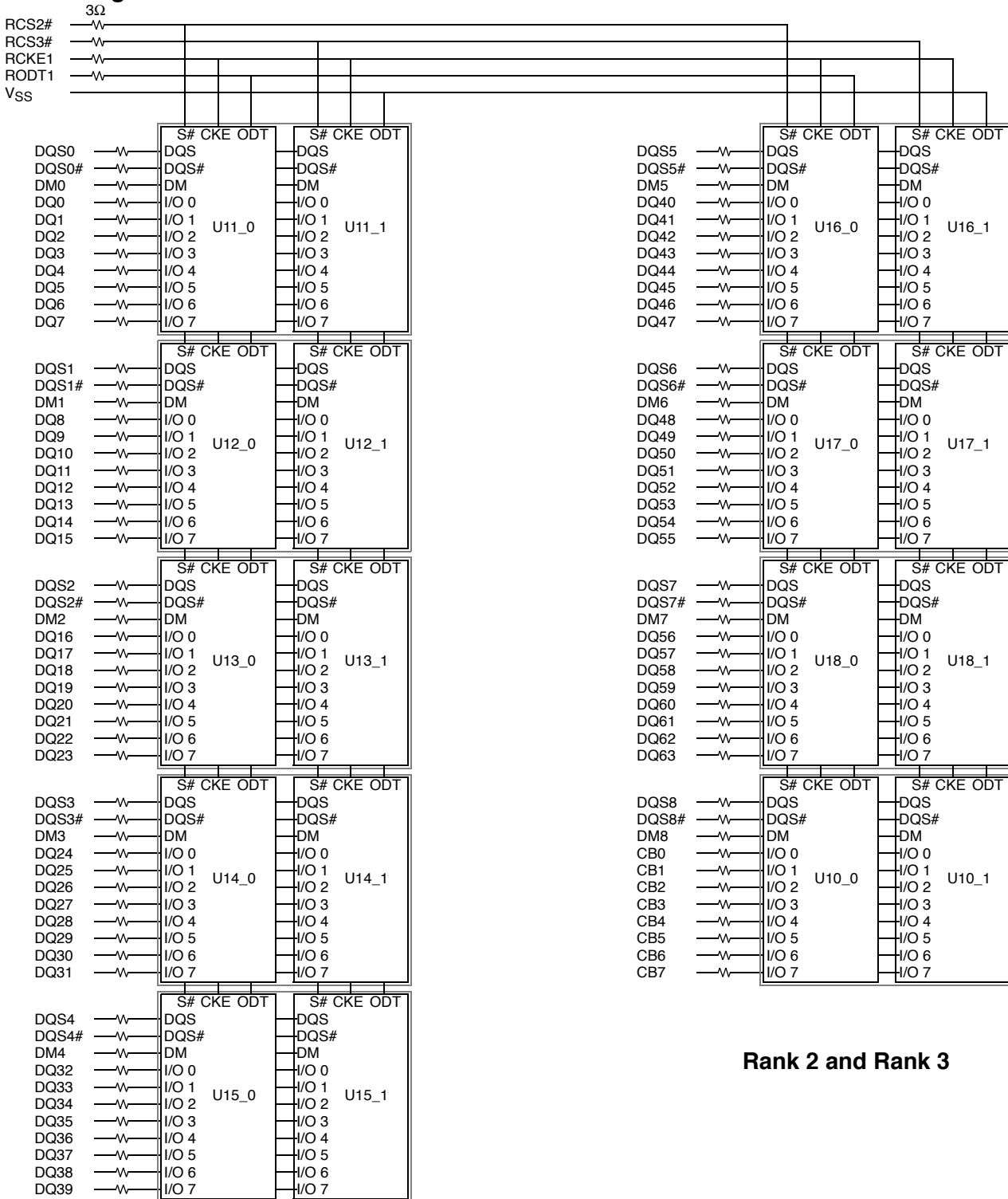


Rank 0 and Rank 1

Note: Unless otherwise noted, data resistor values are 22Ω ± 5%.

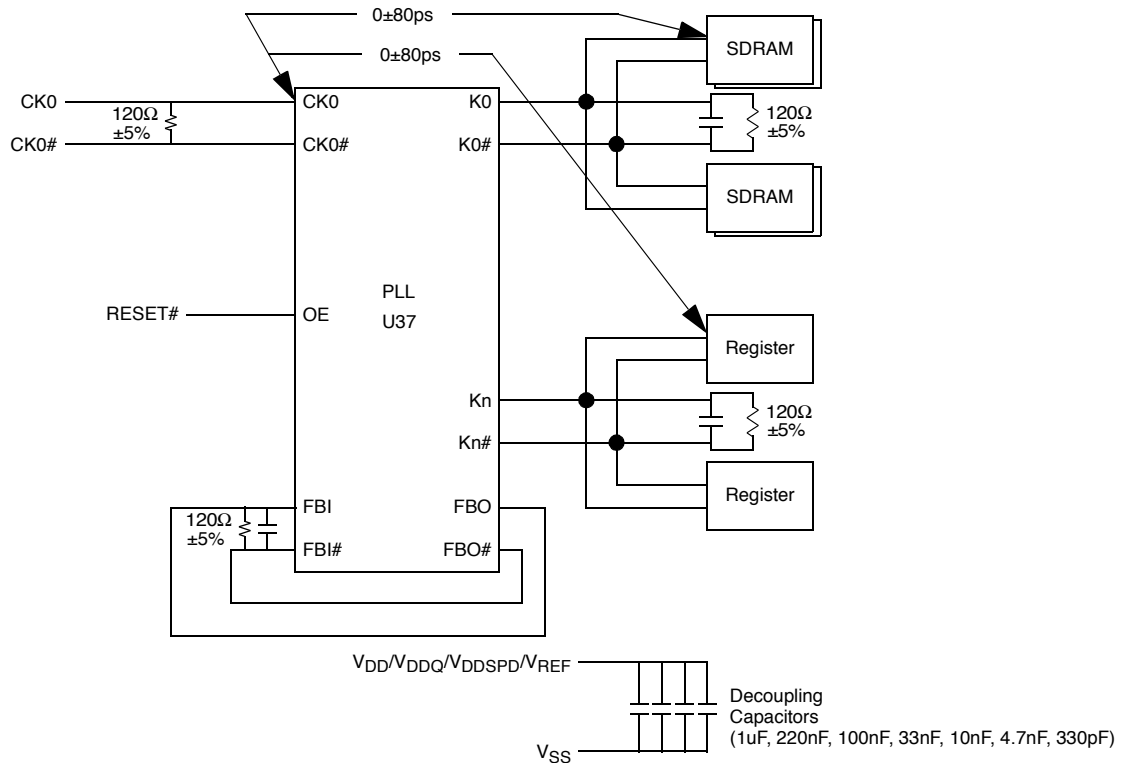
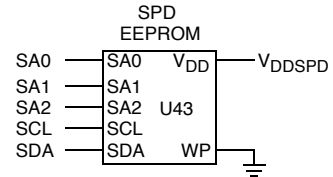
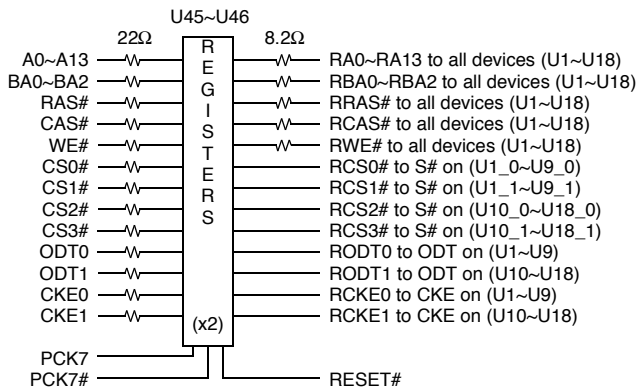


Block Diagram



Rank 2 and Rank 3

Note: Unless otherwise noted, data resistor values are 22Ω ± 5%.



Notes:

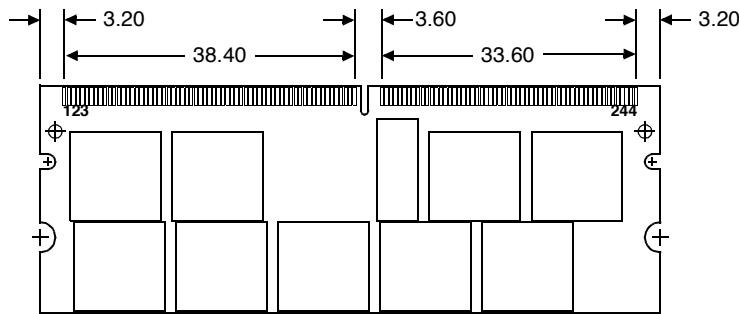
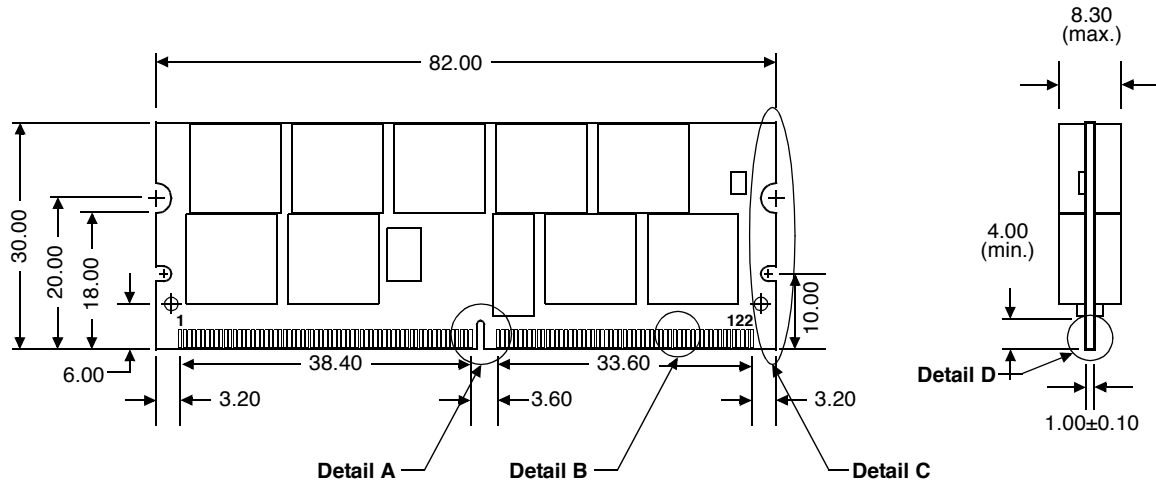
1. Data bits may be swapped within a device. However, DQ/DQS/DM relationship is maintained as shown.
2. Only one PLL output is shown above. Any additional PLL outputs will be wired in a similar manner.



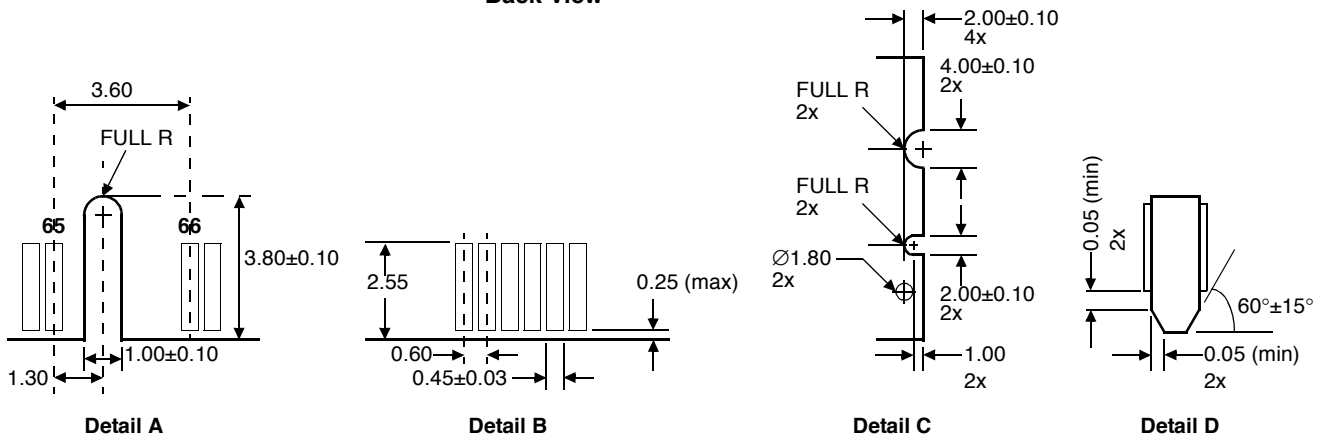
Physical Dimensions

244-pin Mini-DIMM Module

Front View



Back View



(All dimensions are in millimeters with ±0.15mm tolerance unless specified otherwise.)

Serial Presence Detect Table

Byte No.	Byte Description	Speed	Value Supported	Hex Value
0	# of bytes written into serial memory at module manufacturer	All	128 Bytes	80h
1	Total # of bytes of SPD memory device	All	256 Bytes	08h
2	Fundamental memory type	All	SDRAM DDR2	08h
3	# of row address on this assembly	All	14	0Eh
4	# of column address on this assembly	All	10	0Ah
5	# of Ranks, Package and Height	All	4, Stacked, 30.00mm	73h
6	Data width of this assembly	All	72	48h
7	Reserved	All	-	00h
8	Voltage interface standard of this assembly	All	SSTL_18	05h
9	SDRAM cycle time @ CAS latency of X	-DB -DG -IL -IR/KF	5.0ns 3.75ns 3.0ns 2.5ns	50h 3Dh 30h 25h
10	SDRAM access time @ CAS latency of X	-DB -DG -IL -IR/KF	0.60ns 0.50ns 0.45ns 0.40ns	60h 50h 45h 40h
11	DIMM configuration type	All	ECC	02h
12	Refresh rate & type	All	SR, 7.8	82h
13	Primary SDRAM width	All	8	08h
14	Error checking SDRAM width	All	8	08h
15	Reserved	All	-	00h
16	SDRAM device attributes : Burst lengths supported	All	4, 8	0Ch
17	SDRAM device attributes : # of banks on SDRAM device	All	8	08h
18	SDRAM device attributes : CAS latency	-DB/DG -IL/IR -KF	3.0, 4.0 4.0, 5.0 5.0, 6.0	18h 30h 60h
19	DIMM Mechanical Characteristics	All	8.30mm	04h
20	DIMM type information	All	Mini-RDIMM	10h
21	SDRAM module attributes	All	1 PLL, 2 Registers	05h
22	SDRAM device attributes : General	All	Weak Driver, 50Ω ODT	03h

Serial Presence Detect Table (Contd.)

Byte No.	Byte Description	Speed	Value Supported	Hex Value
23	SDRAM cycle time @ CAS latency of X-1	-DB/DG -IL/IR -KF	5.0ns 3.75ns 3.0ns	50h 3Dh 30h
24	SDRAM access time @ CAS latency of X-1	-DB/DG -IL/IR -KF	0.60ns 0.50ns 0.45ns	60h 50h 45h
25	SDRAM cycle time @ CAS latency of X-2	All	-	00h
26	SDRAM access time @ CAS latency of X-2	All	-	00h
27	Minimum row precharge time (=tRP)	-DB/DG/IL/KF -IR	15ns 12.5ns	3Ch 32h
28	Minimum row active to row active delay (=tRRD)	All	7.5ns	1Eh
29	Minimum RAS to CAS delay (=tRCD)	-DB/DG/IL/KF -IR	15ns 12.5ns	3Ch 32h
30	Minimum activate precharge time (=tRAS)	-DB -DG/IL/IR/KF	40ns 45ns	28h 2Dh
31	Module row density	All	1GB	01h
32	Command and Address signal input setup time	-DB -DG -IL -IR/KF	0.35ns 0.25ns 0.20ns 0.17ns	35h 25h 20h 17h
33	Command and Address signal input hold time	-DB -DG -IL -IR/KF	0.47ns 0.37ns 0.27ns 0.25ns	47h 37h 27h 25h
34	Data signal input setup time	-DB -DG/IL -IR/KF	0.15ns 0.10ns 0.05ns	15h 10h 05h
35	Data signal input hold time	-DB -DG -IL -IR/KF	0.27ns 0.22ns 0.17ns 0.12ns	27h 22h 17h 12h
36	Write recovery time (=tWR)	All	15ns	3Ch
37	Internal write to read command delay (=tWTR)	-DB -DG/IL/IR/KF	10ns 7.5ns	28h 1Eh
38	Internal read to precharge delay (=tRTP)	All	7.5ns	1Eh
39	Memory Analysis Probe Characteristics	All	-	00h

Serial Presence Detect Table (Contd.)

Byte No.	Byte Description	Speed	Value Supported	Hex Value
40	Extension of tRC and tRFC	-DB/DG/IL/KF -IR	Extension of tRFC Ext. of tRC & tRFC	06h 36h
41	Device Minimum activate/auto-refresh time (=tRC)	-DB -DG/IL/KF -IR	55ns 60ns 57.5ns	37h 3Ch 39h
42	Device Minimum auto-refresh to active/ auto-refresh time (=tRFC)	All	127.5ns	7Fh
43	Maximum device cycle time (=tCK max)	All	8ns	80h
44	Device DQS-DQ skew for DQS and associated DQ signals (=tDQSQ max)	-DB -DG -IL -IR/KF	0.35ns 0.30ns 0.24ns 0.20ns	23h 1Eh 18h 14h
45	Device read data hold skew factor (=tQHS)	-DB -DG -IL -IR/KF	0.45ns 0.40ns 0.34ns 0.30ns	2Dh 28h 22h 1Eh
46	PLL relock time	All	15μs	0Fh
47~61	Reserved	All	-	00h
62	SPD data revision code	All	1.3	13h
63	Checksum for bytes 0~62	-DB -DG -IL -IR -KF		4Bh F4h A5h 8Bh 8Ah
64	Manufacturer JEDEC ID code	All	Continuation Code	7Fh
65Manufacturer JEDEC ID code	All	SMART's ID	94h
66~71Manufacturer JEDEC ID code	All	Not Used	00h
72	Manufacturing location	All	See Note 2	01h
73~90	Manufacturer part #	-DB -DG -IL -IR -KF	SG572128CG8RWDB SG572128CG8RWDG SG57212CG8RWIL SG572128CG8RWIR SG572128CG8RWKF	Part No.
93	Manufacturing data (Year)	All	Date	Date
94	Manufacturing data (Week)	All	Date	Date
95~98	Assembly serial #	All	Serial Number	00h

Serial Presence Detect Table (Contd.)

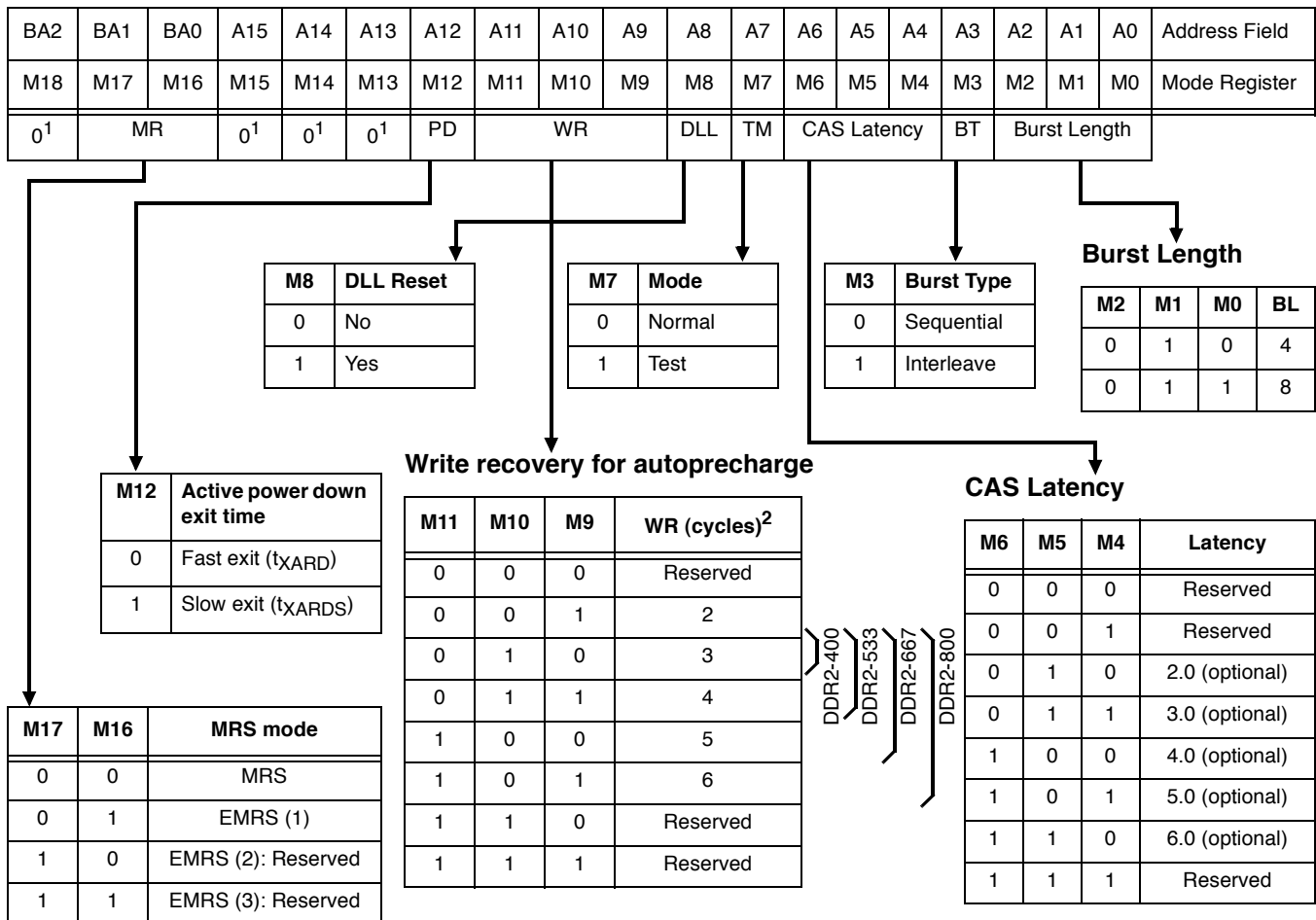
Byte No.	Byte Description	Speed	Value Supported	Hex Value
99~125	Manufacturer specific data	All	SMART Modular Technologies	
126~255	Unused storage locations	All	-	00h

Note:

1. X represents the maximum CAS Latency.
 For DDR2-400-333, X = CL 4.0
 For DDR2-533-444, X = CL 4.0
 For DDR2-667-555, X = CL 5.0
 For DDR2-800-555, X = CL 5.0
 For DDR2-800-666, X = CL 6.0
2. Manufacturing Location:
 00h - Undefined,
 01h - Fremont, USA,
 02h - Aguada, Puerto Rico,
 03h - East Kilbride, Scotland,
 04h - Penang, Malaysia,
 05h - Bangalore, India,
 06h - Sao Paulo, Brazil,
 07h - Aguadilla, Puerto Rico,
 08h - Mayaguez, Puerto Rico,
 09h - Santo Domingo, Dominican Republic,
 0Ah - Dongguan, China,

Mode Register Table Definition

The mode register stores the data for controlling the various operating modes of DDR2 SDRAM. It controls CAS latency, burst length, burst sequence, test mode, DLL reset, t_{WR} and various vendor specific options to make DDR2 SDRAM useful for various applications. The default value of the mode register is not defined, therefore the mode register must be written after power-up for proper operation. The mode register is written by asserting low on CS#, RAS#, CAS#, WE#, BA0 and BA1, while controlling the state of address pins A0~A15. The DDR2 SDRAM should be in all bank precharge with CKE already high prior to writing into the mode register. The mode register set command cycle time (t_{MRD}) is required to complete the write operation to the mode register. The mode register contents can be changed using the same command and clock cycle requirements during normal operation as long as all banks are in the precharge state. The mode register is divided into various fields depending on functionality. Burst length is defined by A0~A2 with options of 4 and 8 bit burst lengths. The burst length decodes are compatible with DDR SDRAM. Burst address sequence type is defined by A3, CAS latency is defined by A4~A6. The DDR2 doesn't support half clock latency mode. A7 is used for test mode. A8 is used for DLL reset. A7 must be set to low for normal MRS operation. Write recovery time t_{WR} is defined by A9~A11.



Notes:

- BA2 and A13~A15 are reserved for future use and must be programmed to 0 when setting the mode register.
- WR min is determined by t_{CK} max and WR max is determined by t_{CK} min. WR in clock cycles is calculated by dividing t_{WR} (in ns) by t_{CK} (in ns) and rounding up to the next integer. The mode register must be programmed to this value.

Extended Mode Register Table Definition

The extended mode register controls functions beyond those controlled by the mode register; these additional functions are DLL enable/disable, output drive strength, ODT (R_{TT}), Posted CAS additive latency (AL), off-chip driver impedance calibration (OCD), DQS# enable/disable, RDQS/RDQS# enable/disable, and OUTPUT enable/disable. The extended mode register is programmed via the LOAD MODE (LM) command and will retain the stored information until it is programmed again or the device loses power. Reprogramming the extended mode register will not alter the contents of the memory array, provided it is performed correctly.

The extended mode register must be loaded when all banks are idle and no bursts are in progress, and the controller must wait the specified time t_{MRD} before initiating any subsequent operation. Violating either of these requirements could result in unspecified operation.

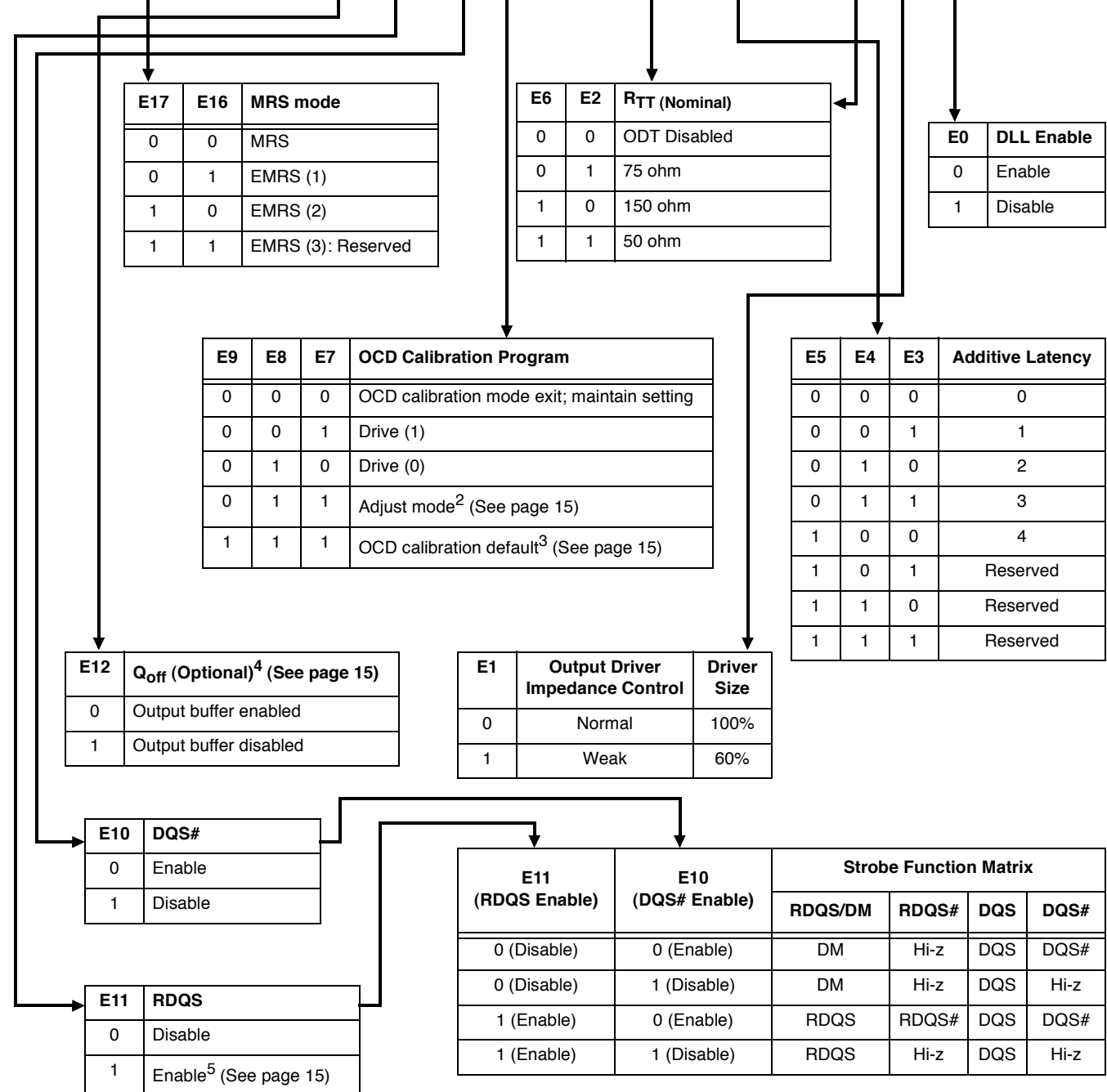
Notes:

1. BA2 and A13~A15 are reserved for future use and must be programmed to 0 when setting the mode register.
2. When the adjust mode of the OCD Calibration Program is issued, AL from previously set value must be applied.
3. After setting the OCD Calibration Program to default, OCD mode needs to be exited by setting A9-A7 to 000.
4. Outputs disabled - DQs, DQSs, DQS#s, RDQSs, RDQS#s. This feature is used in conjunction with DIMM I_{DDQ} measurements when I_{DDQ} is not desired to be included.
5. If RDQS is enabled, the DM function is disabled. RDQS is active for reads and don't care for writes.



Extended Mode Register Table

BA2	BA1	BA0	A15	A14	A13	A12	A11	A10	A9	A8	A7	A6	A5	A4	A3	A2	A1	A0	Address Field
E18	E17	E16	E15	E14	E13	E12	E11	E10	E9	E8	E7	E6	E5	E4	E3	E2	E1	E0	Extended Mode Register
0 ¹	EMR		0 ¹	0 ¹	0 ¹	Q _{off}	RDQS	DQS#	OCD Program			R _{TT}	AL		R _{TT}	D.I.C	DLL		



Commands

The following Truth Tables provide a general reference of available commands. For a more detailed description please refer to the device data sheets.

Truth Table - Commands

Function	CKE		CS#	RAS#	CAS#	WE#	BA0~ BA _n ⁹	An ⁸ ~A11	A10	A9~A0	Notes
	Previous cycle	Current cycle									
(Extended) Mode Register Set	H	H	L	L	L	L	BA	OP Code			1, 2
Refresh	H	H	L	L	L	H	X	X	X	X	1
Self Refresh Entry	H	L	L	L	L	H	X	X	X	X	1
Self Refresh Exit	L	H	H	X	X	X	X	X	X	X	1, 7
			L	H	H	H					
Single Bank Precharge	H	H	L	L	H	L	BA	X	L	X	1, 2
Precharge All Banks	H	H	L	L	H	L	X	X	H	X	1
Bank Activate	H	H	L	L	H	H	BA	Row Address			1, 2
Write	H	H	L	H	L	L	BA	Column	L	Column	1, 2, 3
Write with Auto-Precharge	H	H	L	H	L	L	BA	Column	H	Column	1, 2, 3
Read	H	H	L	H	L	H	BA	Column	L	Column	1, 2, 3
Read with Auto-Precharge	H	H	L	H	L	H	BA	Column	H	Column	1, 2, 3
No Operation	H	X	L	H	H	H	X	X	X	X	1
Device Deselect	H	X	H	X	X	X	X	X	X	X	1
Power Down Entry	H	L	H	X	X	X	X	X	X	X	1, 4
			L	H	H	H					
Power Down Exit	L	H	H	X	X	X	X	X	X	X	1, 4
			L	H	H	H					

Notes:

- All DDR2 SDRAM commands are defined by states of CS#, RAS#, CAS#, WE# and CKE at the rising edge of the clock.
- Bank addresses BA0, BA1, BA2 (BA) determine which bank is to be operated upon. For (E)MRS BA selects an (Extended) Mode Register.
- Burst reads or writes at BL = 4 cannot be terminated or interrupted.
- The Power Down Mode does not perform any refresh operations. The duration of power down is therefore limited by the refresh requirements.
- The state of ODT does not affect the states described in this table. The ODT function is not available during Self Refresh.
- "X" means "H or L (but a defined logic level)".
- Self Refresh Exit is asynchronous.
- An = A12 for 256Mb, A13 for 512Mb & 1Gb, A14 for 2Gb.
- BA_n = BA1 for up to 512Mb, BA2 for 1Gb & 2Gb.

DC Characteristics

Absolute Maximum Ratings

Parameter	Symbol	Ratings	Unit	Notes
Voltage on V_{DD} relative to V_{SS}	V_{DD}	-1.0 ~ 2.3	V	
Voltage on V_{DDQ} relative to V_{SS}	V_{DDQ}	-0.5 ~ 2.3	V	
Voltage on any pin relative to V_{SS}	V_{IN}, V_{OUT}	-0.5 ~ 2.3	V	
Voltage on V_{DDSPD} relative to V_{SS}	V_{DDSPD}	1.7 ~ 3.6	V	
Operating Temperature (Ambient)	T_{OPR}	0 to +65	°C	
Operating Temperature (Case)	T_{CASE}	0 to +85	°C	1, 2
Storage Temperature	T_{STG}	-55 to +100	°C	

Notes:

- It is possible to operate the DRAM, Register & PLL up to 95°C.
- Above 85°C DRAM Case Temperature the Auto-Refresh command interval has to be reduced to $t_{REFI} = 3.9\mu s$.

Recommended DC Operating Conditions ($T_A = 0$ to +65°C)

Parameter	Symbol	Min	Typ	Max	Unit	Notes
Supply Voltage	V_{DD}	1.7	1.8	1.9	V	
I/O Supply Voltage	V_{DDQ}	1.7	1.8	1.9	V	
I/O Reference Voltage	V_{REF}	$0.49 \cdot V_{DDQ}$	$0.50 \cdot V_{DDQ}$	$0.51 \cdot V_{DDQ}$	mV	1, 2
I/O Termination Voltage	V_{TT}	$V_{REF} - 0.04$	V_{REF}	$V_{REF} + 0.04$	V	3
SPD Voltage	V_{DDSPD}	1.7	-	3.6	V	
Input High Voltage	$V_{IH(DC)}$	$V_{REF} + 0.125$	-	$V_{DDQ} + 0.3$	V	
Input Low Voltage	$V_{IL(DC)}$	-0.3	-	$V_{REF} - 0.125$	V	
Input Voltage Level, CK/CK#	$V_{IN(DC)}$	-0.3	-	$V_{DDQ} + 0.3$	V	
Input Differential Voltage, CK/CK#	$V_{ID(DC)}$	0.25	-	$V_{DDQ} + 0.6$	V	
Ground	V_{SS}	0	0	0	V	

Notes:

- V_{REF} is expected to track variation in V_{DDQ} .
- Peak to peak noise (non-common mode) on V_{REF} may not exceed $\pm 1\%$ of the DC value. Peak to peak AC noise on V_{REF} may not exceed $\pm 2\%$ of V_{REF} (DC). This measurement is to be taken at the nearest V_{REF} bypass capacitor.
- V_{TT} is not used on the module. It is the voltage used on the system board to terminate all the signals. However, this supply should track the variations in DC level of V_{REF} .

Capacitance
(V_{DD} = 1.8V±0.1V, T_{Case} = +25°C)

Parameter	Symbol	Min	Max	Unit
Input Capacitance (CKn, CKn#)	C _{CK}	2.0	3.0	pF
Input Capacitance delta (CKn, CKn#)	C _{DCK}	-	-	pF
Input Capacitance (all other input-only pins)	C _I	2.5	3.5	pF
Input Capacitance delta (all other input-only pins)	C _{DI}	-	-	pF
Input/Output Capacitance (DQ, DM, DQS, DQS#, CB)	C _{IO1}	10.0	16.0	pF
Input/Output Capacitance (DQ, DM, DQS, DQS#, CB)	C _{IO2}	10.0	14.0	pF
Input/Output Capacitance delta (DQ, DM, DQS, DQS#, CB)	C _{DIO}	-	2.0	pF

Notes:

1. C_{IO1} is for DDR2-400 and DDR2-533.
2. C_{IO2} is for DDR2-667 and DDR2-800.

AC Operating Conditions
(V_{DD} = 1.8V±0.1V, V_{SS} = 0V)

Parameter	Symbol	Min	Max	Unit	Notes
Input High Logic Voltage	V _{IH(AC)}	V _{REF} + 0.250	-	V	1, 2
Input Low Logic Voltage	V _{IL(AC)}	-	V _{REF} - 0.250	V	1, 2
Input differential voltage, CK and CK# inputs	V _{ID(AC)}	0.5	V _{DDQ} + 0.6	V	1, 2, 3
Input crossing point voltage, CK and CK# inputs	V _{IX(AC)}	0.5*V _{DDQ} - 0.175	0.5*V _{DDQ} + 0.175	V	1, 2, 3
AC differential crossing point voltage	V _{OX(AC)}	0.5*V _{DDQ} - 0.125	0.5*V _{DDQ} + 0.125	V	3

Notes:

1. Input slew rate is 1V/ns.
2. Inputs are not recognized as valid until V_{REF} stabilizes.
3. V_{ID} is the magnitude of the difference between the input level on CK and the input level on CK#.
4. The value of V_{IX}/V_{OX} is expected to equal 0.5*V_{DDQ} of the transmitting device and must track variations in the DC level of the same.

ODT DC Electrical Characteristics

Parameter	Symbol	Min	Nom	Max	Unit	Notes
R _{TT} effective impedance value for 75Ω setting EMR (A6, A2) = 0, 1	R _{TT1} (EFF)	60	75	90	Ω	1
R _{TT} effective impedance value for 150Ω setting EMR (A6, A2) = 1, 0	R _{TT2} (EFF)	120	150	180	Ω	1
R _{TT} effective impedance value for 50Ω setting EMR (A6, A2) = 1, 1	R _{TT3} (EFF)	40	50	60	Ω	1
Deviation of VM with respect to V _{DDQ} /2	ΔVM	-6		+6	%	2

Notes:

1. R_{TT1}(EFF) and R_{TT2}(EFF) are determined by applying V_{IH(AC)} and V_{IL(AC)} to pin under test separately, then

$$\text{measure current } I(V_{IH(AC)}) \text{ and } I(V_{IL(AC)}) \text{ respectively. } R_{TT(EFF)} = \frac{V_{IH(AC)} - V_{IL(AC)}}{I(V_{IH(AC)}) - I(V_{IL(AC)})}$$

2. Measured voltage (VM) at tested pin with no load.

$$\Delta VM = \left(\frac{2 \times VM}{V_{DDQ}} - 1 \right) \times 100 \%$$

Output DC Current Drive

Parameter	Symbol	Min	Max	Unit	Notes
Output Minimum Source DC Current	I _{OH}	-13.4	-	mA	1, 3, 4
Output Minimum Sink DC Current	I _{OL}	13.4	-	mA	2, 3, 4

Notes:

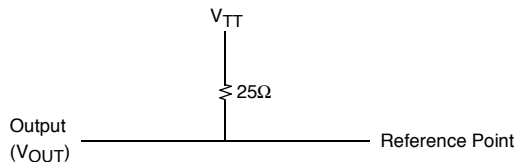
1. For I_{OH} (DC); V_{DDQ} = 1.7V, V_{OUT} = 1420mV. (V_{OUT} - V_{DDQ})/I_{OH} must be less than 21Ω for values of V_{OUT} between V_{DDQ} and V_{DDQ} - 280mV.
2. For I_{OL} (DC); V_{DDQ} = 1.7V, V_{OUT} = 280mV. V_{OUT}/I_{OL} must be less than 21Ω for values of V_{OUT} between 0V and 280mV.
3. The DC value of V_{REF} applied to the receiving device is set to V_{TT}.
4. The values of I_{OH} (DC) and I_{OL} (DC) are based on the conditions given in Notes 1 and 2. They are used to test device drive current capability to ensure V_{IH} min plus a noise margin and V_{IL} max minus a noise margin are delivered to an SSTL_18 receiver. The actual current values are derived by shifting the desired driver operating point along a 21Ω load line to define a convenient driver current for measurement.

OCD Default Output Characteristics
 ($V_{DD} = 1.8V \pm 0.1V$, $V_{SS} = 0V$, $T_A = 0$ to $+65^\circ C$)

Parameter	Symbol	Min	Nom	Max	Unit	Notes
Output Impedance		12.6	18	23.4	Ω	1, 2
Pull-up and Pull-down mismatch		0		4	Ω	1, 2, 3
Output Slew Rate	S_{OUT}	1.5		5	V/ns	1, 4, 5, 7
Output Step Size for Calibration		0		1.5	Ω	6

Notes:

1. Absolute specifications: $0^\circ C \leq T_{case} \leq +85^\circ C$; $V_{DDQ} = +1.8V \pm 0.1V$, $V_{DD} = +1.8V \pm 0.1V$.
2. Impedance measurement condition for output source DC current: $V_{DDQ} = 1.7V$; $V_{OUT} = 1420mV$; $(V_{OUT} - V_{DDQ})/I_{OH}$ must be less than 23.4Ω for values of V_{OUT} between V_{DDQ} and $V_{DDQ} - 280mV$. Impedance measurement condition for output sink DC current: $V_{DDQ} = 1.7V$; $V_{OUT} = 280mV$; V_{OUT}/I_{OL} must be less than 23.4Ω for values of V_{OUT} between $0V$ and $280mV$.
3. Mismatch is absolute value between pull-up and pull-down, both are measured at same temperature and voltage.
4. Output slew rate for falling and rising edges is measured between $V_{TT} - 250mV$ and $V_{TT} + 250mV$ for single ended signals. For differential signals output slew rate is measured between $DQS - DQS\# = -500mV$ and $DQS\# - DQS = +500mV$. Output slew rate is guaranteed by design, but is not necessarily tested on each device.
5. The absolute value of the slew rate as measured from V_{IL} (DC) max to V_{IH} (DC) min is equal to or greater than the slew rate as measured from V_{IL} (AC) max to V_{IH} (AC) min. This is guaranteed by design and characterization.
6. This represents the step size when the OCD is near 18Ω at nominal conditions across all process and represent only the DRAM uncertainty.
7. Timing skew due to DRAM output slew rate mis-match between $DQS/DQS\#$ and associated DQs is included in t_{DQSQ} and t_{QHS} specification.

Output Slew Rate Load Diagram


IDD Specification Parameters and Test Conditions
(V_{DD} = 1.8V±0.1V, V_{SS} = 0V, T_A = 0 to +65°C)

Symbol	Parameter	5.0ns CL 3.0	3.75ns CL 4.0	3.0ns CL 5.0	2.5ns CL 5.0	2.5ns CL 6.0	Unit	
IDD0	Operating one bank active–precharge current; t _{CK} = t _{CK(IDD)} , t _{RC} = t _{RC(IDD)} , t _{RAS} = t _{RASmin(IDD)} ; CKE and CS# are HIGH between valid commands; Address bus inputs are SWITCHING; Data bus inputs are SWITCHING	2810	2945	3350	3530	3530	mA	
IDD1	Operating one bank active–read–precharge current; I _{OUT} = 0mA; BL = 4, CL = CL(IDD), AL = 0; t _{CK} = t _{CK(IDD)} , t _{RC} = t _{RC(IDD)} , t _{RAS} = t _{RASmin(IDD)} , t _{RCD} = t _{RCD(IDD)} ; CKE and CS# are HIGH between valid commands; Address bus inputs are SWITCHING; Data pattern is same as IDD4W	2990	3170	3485	3710	3710	mA	
IDD2P	Precharge power–down current; All banks idle; t _{CK} = t _{CK(IDD)} ; CKE is LOW; Other control and address bus inputs are STABLE; Data bus inputs are FLOATING	1352	1352	1352	1352	1352	mA	
IDD2Q	Precharge quiet standby current; All banks idle; t _{CK} = t _{CK(IDD)} ; CKE is HIGH, CS# is HIGH; Other control and address bus inputs are STABLE; Data bus inputs are FLOATING	2360	2540	2540	2900	2900	mA	
IDD2N	Precharge standby current; All banks idle; t _{CK} = t _{CK(IDD)} ; CKE is HIGH, CS# is HIGH; Other control and address bus inputs are SWITCHING; Data bus inputs are SWITCHING	2360	2540	2540	2900	2900	mA	
IDD3P	Active power–down current; All banks open; t _{CK} = t _{CK(IDD)} ; CKE is LOW; Other control and address bus inputs are STABLE; Data bus inputs are FLOATING	Fast PDN Exit MRS(12) = 0	2450	2585	2855	3080	3080	mA
		Slow PDN Exit MRS(12) = 1	2270	2405	2675	2810	2810	mA
IDD3N	Active standby current; All banks open; t _{CK} = t _{CK(IDD)} , t _{RAS} = t _{RASmax(IDD)} , t _{RP} = t _{RP(IDD)} ; CKE is HIGH, CS# is HIGH between valid commands; Other control and address bus inputs are SWITCHING; Data bus inputs are SWITCHING	2540	2720	3080	3260	3260	mA	
IDD4W	Operating burst write current; All banks open, Continuous burst writes; BL = 4, CL = CL(IDD), AL = 0; t _{CK} = t _{CK(IDD)} , t _{RAS} = t _{RASmax(IDD)} , t _{RP} = t _{RP(IDD)} ; CKE is HIGH, CS# is HIGH between valid commands; Address bus inputs are SWITCHING; Data bus inputs are SWITCHING	3125	3440	3800	4160	4160	mA	
IDD4R	Operating burst read current; All banks open, Continuous burst reads, I _{OUT} = 0mA; BL = 4, CL = CL(IDD), AL = 0; t _{CK} = t _{CK(IDD)} , t _{RAS} = t _{RASmax(IDD)} , t _{RP} = t _{RP(IDD)} ; CKE is HIGH, CS# is HIGH between valid commands; Address bus inputs are SWITCHING; Data pattern is same as IDD4W	3125	3440	3800	4160	4160	mA	
IDD5B	Burst refresh current; t _{CK} = t _{CK(IDD)} ; Refresh command at every t _{RFC(IDD)} interval; CKE is HIGH, CS# is HIGH between valid commands; Other control and address bus inputs are SWITCHING; Data bus inputs are SWITCHING	4025	4205	4520	4835	4835	mA	
IDD6	Self refresh current; CK and CS# at 0V; CKE ≤ 0.2V; Other control and address bus inputs are FLOATING; Data bus inputs are FLOATING	252	252	252	252	252	mA	
IDD7	Operating bank interleave read current; All bank interleaving reads, I _{OUT} = 0mA; BL = 4, CL = CL(IDD), AL = t _{RCD(IDD)} -1*t _{CK(IDD)} ; t _{CK} = t _{CK(IDD)} , t _{RC} = t _{RC(IDD)} , t _{RRD} = t _{RRD(IDD)} , t _{RCD} = 1*t _{CK(IDD)} ; CKE is HIGH, CS# is HIGH between valid commands; Address bus inputs are STABLE during DESELECTS; Data pattern is same as IDD4R	4520	4745	5105	5735	5735	mA	

IDD Specification Parameters and Test Conditions (Contd.)
Notes:

1. IDD specifications are tested after the device is properly initialized.
2. Input slew rate is specified by AC Parametric Test Condition.
3. IDD parameters are specified with ODT disabled.
4. Data bus consists of DQ, DM, DQS, DQS#. IDD values must be met with all combinations of ERMS bits 10 and 11.
5. Definitions for IDD
 - LOW = $V_{in} \leq V_{IL(AC)}(max)$
 - HIGH = $V_{in} \geq V_{IH(AC)}(min)$
 - STABLE = inputs stable at a HIGH or LOW level
 - FLOATING = inputs at $V_{REF} = V_{DDQ}/2$
 - SWITCHING = inputs changing between HIGH and LOW every other clock cycle (once per two clocks) for address and control signals, and inputs between HIGH and LOW every other data transfer (once per clock) for DQ signals not including masks of strobes.

IDD Testing Parameters

	DDR2-400	DDR2-533	DDR2-667	DDR2-800	DDR2-800	
Parameter	3-3-3	4-4-4	5-5-5	5-5-5	6-6-6	Units
CL(IDD)	3	4	5	5	6	t _{CK}
t _{RCD} (IDD)	15	15	15	12.5	15	ns
t _{RC} (IDD)	55	60	60	57.5	60	ns
t _{RRD} (IDD)	7.5	7.5	7.5	7.5	7.5	ns
t _{CK} (IDD)	5	3.75	3	2.5	2.5	ns
t _{RASmin} (IDD)	40	45	45	45	45	ns
t _{RASmax} (IDD)	70000	70000	70000	70000	70000	ns
t _{RP} (IDD)	15	15	15	12.5	15	ns
t _{RFC} (IDD)	127.5	127.5	127.5	127.5	127.5	ns



Device AC Operating Conditions

Parameter	Symbol	5.0ns @ CL 3.0 DDR2-400-333		3.75ns @ CL 4.0 DDR2-533-444		3.0ns @ CL 5.0 DDR2-667-555		2.5ns @ CL 5.0 DDR2-800-555		2.5ns @ CL 5.0 DDR2-800-666		Unit	Notes	
		Min	Max	Min	Max	Min	Max	Min	Max	Min	Max			
Clock cycle time	CL=6.0	t _{CK}	-	-	-	-	-	-	-	2500	8000	ps	12, 20	
	CL=5.0	t _{CK}	-	-	-	-	3000	8000	2500	8000	3000	8000	ps	12, 20
	CL=4.0	t _{CK}	5000	8000	3750	8000	3750	8000	3750	8000	-	-	ps	12, 20
	CL=3.0	t _{CK}	5000	8000	5000	8000	-	-	-	-	-	-	ps	12, 20
Clock high-level width	t _{CH}	0.45	0.55	0.45	0.55	0.45	0.55	0.45	0.55	0.45	0.55	t _{CK}	14	
Clock low-level width	t _{CL}	0.45	0.55	0.45	0.55	0.45	0.55	0.45	0.55	0.45	0.55	t _{CK}	14	
Clock half period	t _{HP}	Min (t _{CL} , t _{CH})	-	Min (t _{CL} , t _{CH})	-	Min (t _{CL} , t _{CH})	-	Min (t _{CL} , t _{CH})	-	Min (t _{CL} , t _{CH})	-	ps	15	
DQ output access time from CK/CK#	CL=6.0	t _{AC}	-	-	-	-	-	-	-	-400	+400	ps		
	CL=5.0	t _{AC}	-	-	-	-	-450	+450	-400	+400	-450	+450	ps	
	CL=4.0	t _{AC}	-600	+600	-500	+500	-450	+450	-500	+500	-	-	ps	
	CL=3.0	t _{AC}	-600	+600	-500	+500	-	-	-	-	-	-	ps	
Data-out high-impedance window from CK/CK#	t _{HZ}	-	t _{AC} (max)	-	t _{AC} (max)	-	t _{AC} (max)	-	t _{AC} (max)	-	t _{AC} (max)	ps	4, 5	
Data-out low-impedance window from CK/CK#	t _{LZ}	t _{AC} (min)	t _{AC} (max)	t _{AC} (min)	t _{AC} (max)	t _{AC} (min)	t _{AC} (max)	t _{AC} (min)	t _{AC} (max)	t _{AC} (min)	t _{AC} (max)	ps	4, 6	
DQ & DM input setup time relative to DQS	t _{DS}	150	-	100	-	100	-	50	-	50	-	ps	3, 11, 17	
DQ & DM input hold time relative to DQS	t _{DH}	275	-	225	-	175	-	125	-	125	-	ps	3, 11, 17	
DQ & DM input pulse width (for each input)	t _{DIPW}	0.35	-	0.35	-	0.35	-	0.35	-	0.35	-	t _{CK}		
Data hold skew factor	t _{QHS}	-	450	-	400	-	340	-	300	-	300	ps		
DQ-DQS hold, DQS to first DQ to go nonvalid, per access	t _{QH}	t _{HP} - t _{QHS}	-	t _{HP} - t _{QHS}	-	t _{HP} - t _{QHS}	-	t _{HP} - t _{QHS}	-	t _{HP} - t _{QHS}	-	ps	11,13	
DQS input high pulse width	t _{DQSH}	0.35	-	0.35	-	0.35	-	0.35	-	0.35	-	t _{CK}		
DQS input low pulse width	t _{DQSL}	0.35	-	0.35	-	0.35	-	0.35	-	0.35	-	t _{CK}		
DQS output access time from CK/CK#	t _{DQSCK}	-500	+500	-450	+450	-400	+400	-350	+350	-350	+350	ps		
DQS falling edge to CK rising - setup time	t _{DSS}	0.2	-	0.2	-	0.2	-	0.2	-	0.2	-	t _{CK}		
DQS falling edge from CK rising - hold time	t _{DSH}	0.2	-	0.2	-	0.2	-	0.2	-	0.2	-	t _{CK}		
DQS-DQ skew, DQS to last DQ valid, per group, per access	t _{DQSQ}	-	350	-	300	-	240	-	200	-	200	ps	11,13	



Device AC Operating Conditions (Contd.)

Parameter	Symbol	5.0ns @ CL 3.0 DDR2-400-333		3.75ns @ CL 4.0 DDR2-533-444		3.0ns @ CL 5.0 DDR2-667-555		2.5ns @ CL 5.0 DDR2-800-555		2.5ns @ CL 5.0 DDR2-800-666		Unit	Notes
		Min	Max	Min	Max	Min	Max	Min	Max	Min	Max		
DQS read preamble	t _{RPRE}	0.9	1.1	0.9	1.1	0.9	1.1	0.9	1.1	0.9	1.1	t _{CK}	18
DQS read postamble	t _{RPST}	0.4	0.6	0.4	0.6	0.4	0.6	0.4	0.6	0.4	0.6	t _{CK}	
DQS write preamble setup time	t _{WPRES}	0	-	0	-	0	-	0	-	0	-	ps	8, 9
DQS write preamble	t _{WPRE}	0.25	-	0.25	-	0.35	-	0.35	-	0.35	-	t _{CK}	
DQS write postamble	t _{WPST}	0.4	0.6	0.4	0.6	0.4	0.6	0.4	0.6	0.4	0.6	t _{CK}	7
Write command to first DQS latching transition	t _{DQSS}	WL - 0.25	WL + 0.25	WL - 0.25	WL + 0.25	WL - 0.25	WL + 0.25	WL - 0.25	WL + 0.25	WL - 0.25	WL + 0.25	t _{CK}	
Address & control input pulse width for each input	t _{IPW}	0.6	-	0.6	-	0.6	-	0.6	-	0.6	-	t _{CK}	
Address and control input setup time	t _{IS}	350	-	250	-	200	-	175	-	175	-	ps	2, 17
Address and control input hold time	t _{IH}	475	-	375	-	275	-	250	-	250	-	ps	2, 17
CAS# to CAS# command delay	t _{CCD}	2	-	2	-	2	-	2	-	2	-	t _{CK}	
OCD Drive mode delay	t _{OIT}	0	12	0	12	0	12	0	12	0	12	ns	
CKE low to CK, CK# uncertainty	t _{DELAY}	5.825	5.825	4.375	4.375	3.475	3.475	2.925	2.925	2.925	2.925	ns	24
ACTIVE to ACTIVE (same bank) command	t _{RC}	55	-	60	-	60	-	57.5	-	60	-	t _{CK}	
ACTIVE bank a to ACTIVE bank b command	t _{RRD}	7.5	-	7.5	-	7.5	-	7.5	-	7.5	-	t _{CK}	
ACTIVE to READ or WRITE delay	t _{RCD}	15	-	15	-	15	-	12.5	-	15	-	ps	11,13
ACTIVE to PRE-CHARGE command	t _{RAS}	40	70000	45	70000	45	70000	45	70000	45	70000	t _{CK}	18
Internal READ to pre-charge command delay	t _{RTP}	7.5	-	7.5	-	7.5	-	7.5	-	7.5	-	t _{CK}	
Write recovery time	t _{WR}	15	-	15	-	15	-	15	-	15	-	ps	8, 9
Auto precharge write recovery + Precharge time	t _{DAL}	t _{WR} + t _{RP}	-	t _{WR} + t _{RP}	-	t _{WR} + t _{RP}	-	t _{WR} + t _{RP}	-	t _{WR} + t _{RP}	-	t _{CK}	
Internal WRITE to READ command delay	t _{WTR}	10	-	7.5	-	7.5	-	7.5	-	7.5	-	t _{CK}	7
PRECHARGE command period	t _{RP}	15	-	15	-	15	-	12.5	-	15	-	t _{CK}	
LOAD MODE command cycle time	t _{MRD}	2	-	2	-	2	-	2	-	2	-	t _{CK}	



Device AC Operating Conditions (Contd.)

Parameter	Symbol	5.0ns @ CL 3.0 DDR2-400-333		3.75ns @ CL 4.0 DDR2-533-444		3.0ns @ CL 5.0 DDR2-667-555		2.5ns @ CL 5.0 DDR2-800-555		2.5ns @ CL 5.0 DDR2-800-666		Unit	Notes
		Min	Max	Min	Max	Min	Max	Min	Max	Min	Max		
REFRESH to REFRESH command interval	t _{RFC}	127.5	-	127.5	-	127.5	-	127.5	-	127.5	-	ps	2, 17
Average periodic refresh Interval	t _{REFI}	-	7.8	-	7.8	-	7.8	-	7.8	-	7.8	ps	2, 17
Exit self refresh to non-READ command	t _{XSNR}	t _{RFC} (min) + 10	-	t _{RFC} (min) + 10	-	t _{RFC} (min) + 10	-	t _{RFC} (min) + 10	-	t _{RFC} (min) + 10	-	t _{CK}	
Exit self refresh to READ command	t _{XSRD}	200	-	200	-	200	-	200	-	200	-	ns	
ODT turn-on delay	t _{AOND}	2	2	2	2	2	2	2	2	2	2	t _{CK}	
ODT turn-on	t _{AON}	t _{AC} (min)	t _{AC} (max) + 1000	t _{AC} (min)	t _{AC} (max) + 1000	t _{AC} (min)	t _{AC} (max) + 700	t _{AC} (min)	t _{AC} (max) + 700	t _{AC} (min)	t _{AC} (max) + 700	t _{CK}	
ODT turn-off delay	t _{AOFD}	2.5	2.5	2.5	2.5	2.5	2.5	2.5	2.5	2.5	2.5	ps	11, 13
ODT turn-off	t _{AOF}	t _{AC} (min)	t _{AC} (max) + 600	t _{AC} (min)	t _{AC} (max) + 600	t _{AC} (min)	t _{AC} (max) + 600	t _{AC} (min)	t _{AC} (max) + 600	t _{AC} (min)	t _{AC} (max) + 600	t _{CK}	18
ODT turn-on (power-down mode)	t _{AONPD}	t _{AC} (min) + 2000	2*t _{CK} + t _{AC} (max) + 1000	t _{AC} (min) + 2000	2*t _{CK} + t _{AC} (max) + 1000	t _{AC} (min) + 2000	2*t _{CK} + t _{AC} (max) + 1000	t _{AC} (min) + 2000	2*t _{CK} + t _{AC} (max) + 1000	t _{AC} (min) + 2000	2*t _{CK} + t _{AC} (max) + 1000	t _{CK}	
ODT turn-off (power-down mode)	t _{AOFPD}	t _{AC} (min) + 2000	2.5*t _{CK} + t _{AC} (max) + 1000	t _{AC} (min) + 2000	2.5*t _{CK} + t _{AC} (max) + 1000	t _{AC} (min) + 2000	2.5*t _{CK} + t _{AC} (max) + 1000	t _{AC} (min) + 2000	2.5*t _{CK} + t _{AC} (max) + 1000	t _{AC} (min) + 2000	2.5*t _{CK} + t _{AC} (max) + 1000	ps	8, 9
ODT to power-down entry latency	t _{ANPD}	3	-	3	-	3	-	3	-	3	-	t _{CK}	
ODT power-down exit latency	t _{AXPD}	8	-	8	-	8	-	8	-	8	-	t _{CK}	7
Exit active power-down to READ command, MR[bit12=0]	t _{XARD}	2	-	2	-	2	-	2	-	2	-	t _{CK}	
Exit active power-down to READ command, MR[bit12=1]	t _{XARDS}	6 - AL	-	6 - AL	-	7 - AL	-	8 - AL	-	8 - AL	-	t _{CK}	
Exit precharge power down to any non-read command	t _{XP}	2	-	2	-	2	-	2	-	2	-	ps	2, 17
CKE minimum pulse width (high and low pulse width)	t _{CKE}	3	-	3	-	3	-	3	-	3	-	ps	2, 17



Notes:

1. The AC and DC input level specifications are as defined in the SSTL_18 standard (i.e., the receiver will effectively switch as a result of the signal crossing the AC input level and will remain in that state as long as the signal does not ring back above [below] the DC input LOW [HIGH] level.
2. Command/Address minimum input slew rate = 1.0V/ns and is referenced to the crosspoint of CK/CK#. t_{1S} timing is referenced to $V_{IH(AC)}$ for a rising signal and $V_{IL(AC)}$ for a falling signal. t_{1H} timing is referenced to $V_{IH(DC)}$ for a rising signal and $V_{IL(DC)}$ for a falling signal. Derating values for Command/Address input signal slew rates < 1.0V/ns are TBD.
3. Data minimum input slew rate = 1.0V/ns and is referenced to the crosspoint of DQS/DQS# if differential strobe feature is enabled. t_{DS} timing is referenced to $V_{IH(AC)}$ for a rising signal and $V_{IL(AC)}$ for a falling signal. t_{DH} timing is referenced to $V_{IH(DC)}$ for a rising signal and $V_{IL(DC)}$ for a falling signal. Derating values for Data input signal slew rates < 1.0V/ns are TBD.
4. t_{HZ} and t_{LZ} transitions occur in the same access time windows as valid data transitions. These parameters are not referenced to a specific voltage level, but specify when the device output is no longer driving (t_{HZ}) or begins driving (t_{LZ}).
5. This maximum value is derived from the reference test load. $t_{HZ(MAX)}$ will prevail over a $t_{DQSCK(MAX)} + t_{RPST(MAX)}$ condition.
6. $t_{LZ(MIN)}$ will prevail over a $t_{DQSCK(MIN)} + t_{RPRE(MAX)}$ condition.
7. The intent of the Don't Care state after completion of the postamble is the DQS driven signal should be high, low or high-Z and that any signal transition within the input switching region must follow valid input requirements. That is if DQS transitions high [above $V_{IHDC(MIN)}$] then it must not transition low (below V_{IHDC}) prior to $t_{DQSH(min)}$.
8. This is not a device limit. The device will operate with a negative value, but system performance could be degraded due to bus turnaround.
9. It is recommended that DQS be valid (HIGH or LOW) on or before the WRITE command. The case shown (DQS going from High-Z to logic LOW) applies when no WRITES were previously in progress on the bus. If a previous WRITE was in progress, DQS could be HIGH during his time depending on t_{DQSS} .
10. The refresh period is 64ms. This equates to an average refresh rate of 7.8125 μ s. However, an REFRESH command must be asserted at least once every 70.3 μ s or $t_{RFC(MAX)}$; issuing more than eight REFRESH commands back to back at $t_{RFC(min)}$ is not allowed.
11. Each byte lane has a corresponding DQS.
12. CK and CK# input slew rate must be ≥ 1 V/ns (≥ 2 V/ns if measured differentially).
13. The data valid window is derived by achieving other specifications: t_{HP} , ($t_{CK}/2$), t_{DQSQ} , and t_{QH} ($t_{QH} = t_{HP} - t_{QHS}$). The data valid window derates in direct proportion to the clock duty cycle and a practical data valid window can be derived.
14. $\text{Min}(t_{CL}, t_{CH})$ refers to the smaller of the actual clock low time and the actual clock high time as provided to the device (i.e. this value can be greater than the minimum specification limits for t_{CL} and t_{CH}).
15. $t_{HP(MIN)}$ is the lesser of t_{CL} minimum and t_{CH} minimum actually applied to the device CK and CK# inputs.
16. READs and WRITEs with no auto precharge are allowed to be issued before $t_{RAS(MIN)}$ is satisfied since t_{RAS} lockout feature is supported in DDR2 SDRAM.
17. V_{IL}/V_{IH} DDR2 overshoot/undershoot. Refer to 256MB, 512MB, or 1GB DDR2 SDRAM component data sheet for more detailed information.
18. $t_{DAL} = (n_{WR}) + (t_{RP}/t_{CK})$: For each of the terms above, if not already an integer, round to the next highest integer. t_{CK} refers to the application clock period; n_{WR} refers to the t_{WR} parameter stored in the MR[11,10,9].
19. This is a minimum requirement. Minimum READ to internal PRECHARGE timing is $AL + BL/2$ providing the t_{RTP} and $t_{RAS(MIN)}$ have been satisfied. The DDR2 SDRAM will automatically delay the internal PRECHARGE command until $t_{RAS(MIN)}$ has been satisfied.
20. Operating frequency is only allowed to change during self refresh mode or precharge power-down mode. Anytime the operating frequency is changed, not including jitter, the DLL is required to be reset followed by 200 clock cycles.
21. ODT turn-on time $t_{AON(MIN)}$ is when the device leaves high impedance and ODT resistance begins to turn-on. ODT turn-on time $t_{AON(MAX)}$ is when the resistance is fully on. Both are measured from t_{AOND} .
22. ODT turn-off time $t_{AOF(MIN)}$ is when the device starts to turn-off ODT resistance. ODT turn-off time $t_{AOF(MAX)}$ is when the bus is in high impedance. Both are measured from t_{AOFD} .
23. This parameter has a two clock minimum requirement at any t_{CK} .
24. t_{DELAY} is calculated from $t_{1S} + t_{CK} + t_{1H}$ so that CKE registration LOW is guaranteed prior to CK, CK# being removed in a system reset condition.

Part Number Decode

<u>S</u>	<u>G</u>	<u>5</u>	<u>72</u>	<u>12</u>	<u>8</u>	<u>C</u>	<u>G</u>	<u>8</u>	<u>R</u>	<u>W</u>	<u>U</u>	<u>U</u>
1	2	3	4	5	6	7	8	9	10	11	12	13

- 1 SMART Modular Technologies**
- 2 Module Process Technology**
G: Green Module (RoHS Compliant)
- 3 Product Category**
5: SDRAM DIMM
- 4 Module Data Bus Width**
72: x72
- 5 Module Address Depth**
12: 512M
- 6 Device Data Width**
8: x8
- 7 Special Device Feature**
C: RC Stakpak Stack (8 Bank SDRAM)
- 8 Voltage/Mode**
G: DDR2 SDRAM
- 9 Refresh/Power**
8: 8K Refresh/Standard Power
- 10 Module Configuration**
R: 244-pin Mini-DIMM Registered, ECC
- 11 Device Physicals**
W: 1Gb Device Based
- 12 CAS Latency**
D: 3.0, 4.0
I: 4.0, 5.0
K: 5.0, 6.0
- 13 Cycle Time (Clock Speed)**
B: 5.0ns (200MHz, PC2-3200, DDR2-400-333)
G: 3.75ns (267MHz, PC2-4200, DDR2-533-444)
L: 3.0ns (333MHz, PC2-5300, DDR2-667-555)
R: 2.5ns (400MHz, PC2-6400, DDR2-800-555)
F: 2.5ns (400MHz, PC2-6400, DDR2-800-666)

Note : "U" in the part number should be replaced by user specified option.

Disclaimer:

No part of this document may be copied or reproduced in any form or by any means, or transferred to any third party, without the prior written consent of an authorized representative of SMART Modular Technologies, Inc. ("SMART"). The information in this document is subject to change without notice. SMART assumes no responsibility for any errors or omissions that may appear in this document, and disclaims responsibility for any consequences resulting from the use of the information set forth herein. SMART makes no commitments to update or to keep current information contained in this document. The products listed in this document are not suitable for use in applications such as, but not limited to, aircraft control systems, aerospace equipment, submarine cables, nuclear reactor control systems and life support systems. Moreover, SMART does not recommend or approve the use of any of its products in life support devices or systems or in any application where failure could result in injury or death. If a customer wishes to use SMART products in applications not intended by SMART, said customer must contact an authorized SMART representative to determine SMART's willingness to support a given application. The information set forth in this document does not convey any license under the copyrights, patent rights, trademarks or other intellectual property rights claimed and owned by SMART. The information set forth in this document is considered to be "Proprietary" and "Confidential" property owned by SMART.

ALL PRODUCTS SOLD BY SMART ARE COVERED BY THE PROVISIONS APPEARING IN SMART'S TERMS AND CONDITIONS OF SALE ONLY, INCLUDING THE LIMITATIONS OF LIABILITY, WARRANTY AND INFRINGEMENT PROVISIONS. SMART MAKES NO WARRANTIES OF ANY KIND, EXPRESS, STATUTORY, IMPLIED OR OTHERWISE, REGARDING INFORMATION SET FORTH HEREIN OR REGARDING THE FREEDOM OF THE DESCRIBED PRODUCTS FROM INTELLECTUAL PROPERTY INFRINGEMENT, AND EXPRESSLY DISCLAIMS ANY SUCH WARRANTIES INCLUDING WITHOUT LIMITATION ANY EXPRESS, STATUTORY OR IMPLIED WARRANTIES OF MERCHANTABILITY OR FITNESS FOR A PARTICULAR PURPOSE.

©1996 SMART Modular Technologies, Inc. All rights reserved.