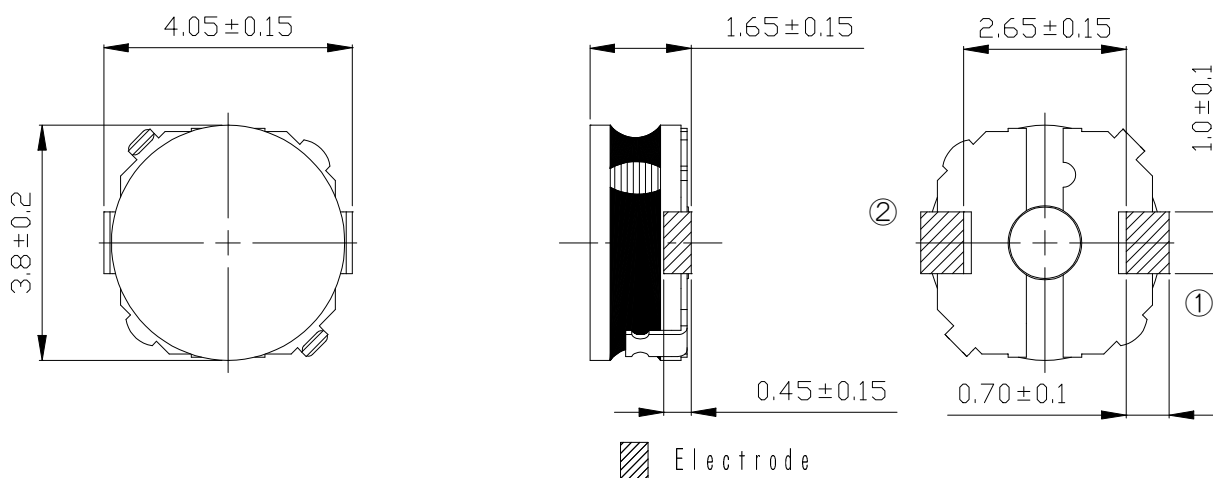
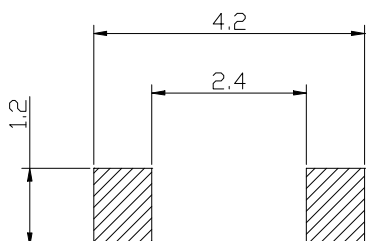
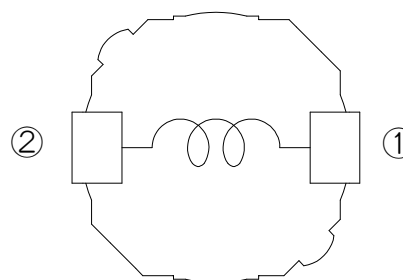


Type: CDH38D16B
◆ Product Description

- 4.2×4.0mm Max.(L×W),1.80mm Max. Height.
- Inductance range: 4.7~47 μ H.
- Rated current range: 0.25~0.74A.
- In addition to the standards versions shown here, custom inductors are also available to meet your exact requirements.


◆ Feature

- Magnetically unshielded construction.
- Storage temperature range: -40°C ~+105°C.
- Operating temperature range: -40°C ~+105°C (Including coil's self temperature rise).
- Ideally used in Mobilephone,PDA,MP3,DSC/DVC,etc as DC-DC converter inductors.
- Product weight: 0.09g (Ref.).
- RoHS compliance.

◆ Dimensions (mm)

◆ Land Pattern (mm)

◆ Schematics (Bottom)


Type: CDH38D16B
◆ Specification

Part Name ※	Stamp	Inductance [Within] 100kHz/1V	D.C.R.(mΩ) Max.(Typ.) (at 20°C)	Saturation Current (A) ※1		Temperature Rise Current (A) ※2
				(at 20°C)	(at 100°C)	
CDH38D16BNP-4R7M□	A	4.7 μH ± 20%	129(103)	0.74	0.53	1.28
CDH38D16BNP-5R6M□	B	5.6 μH ± 20%	139(111)	0.72	0.52	1.20
CDH38D16BNP-8R2M□	C	8.2 μH ± 20%	175(140)	0.59	0.44	1.10
CDH38D16BNP-100M□	D	10 μH ± 20%	213(170)	0.55	0.40	1.00
CDH38D16BNP-150M□	E	15 μH ± 20%	298(238)	0.44	0.31	0.82
CDH38D16BNP-220M□	F	22 μH ± 20%	412(340)	0.36	0.25	0.65
CDH38D16BNP-330M□	G	33 μH ± 20%	625(500)	0.30	0.21	0.47
CDH38D16BNP-470M□	H	47 μH ± 20%	850(680)	0.25	0.19	0.42

※ Description of part name

CDH38D16BNP-4R7M□

	B	Box
	C	Carrier Tape

※1. Saturation current: The DC current at which the inductance decreases to 90% of its nominal value.

 ※2. Temperature rise current: The DC current at which the temperature rise is $\Delta t = 40^\circ\text{C}$. ($T_a = 20^\circ\text{C}$)