

IEC Appliance Inlet C14 or C18 with Line Switch 1- or 2-pole

V-Lock



### Description

- Panel Mount:  
Screw-on version from front or rear side, snap-in version from front side
- 2 Functions:  
Appliance Inlet protection class I or II, Line Switch 1- or 2-pole
- Quick connect terminals 4.8 x 0.8 mm

### Approvals

- VDE Certificate Number: 40007009
- UL File Number: E96454

### Characteristics

- Ultra-compact design
- All single elements are already wired  
Unwired versions available on request
- Line switch non-illuminated or illuminated  
High inrush current up to 100A, 3 - 4 ms
- Ideal for application with high transient loads
- Suitable for use in equipment according to IEC/UL 60950

### Other versions on request

- Unwired versions
- Solder terminals
- Line switch with other rocker marking

### References

Alternative: version with line filter [DC12](#)  
Substitute for type [KEB1](#); [KEB2](#); [6010-K](#)

### Weblinks

[pdf-datasheet](#), [html-datasheet](#), [General Product Information](#), [Approvals](#), [CE declaration of conformity](#), [RoHS](#), [CHINA-RoHS](#), [REACH](#), [Mating Connectors](#), [e-Shop](#), [SCHURTER-Stock-Check](#), [Distributor-Stock-Check](#), [CAD-Drawings](#), [Accessories](#), [Wire Harnessing](#), [Detailed request for product](#)

Newly available variants corresponding to V-Lock mating cordset. The connector is equipped with a notch intended for use with the latching cordset. The cord latching system prevents against accidental removal of the cordset.

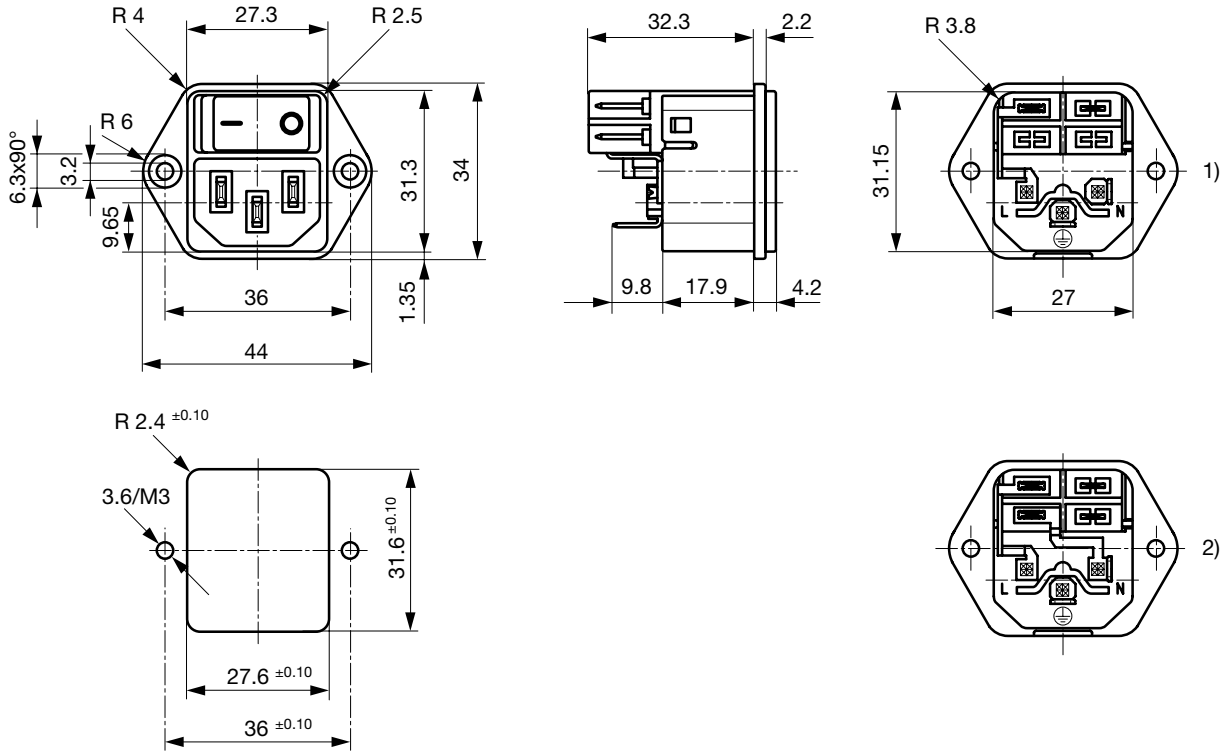
### Technical Data

Ratings IEC	10 A / 250 VAC; 50 Hz	Appliance Inlet	C14 acc. to IEC 60320, UL 498, CSA C22.2 no. 42 (for cold conditions) pin-temperature 70 °C, 10A, Protection Class I or II
Ratings UL/CSA	15 A / 250 VAC; 50/60Hz <sup>1)</sup>	Line Switch	Rocker switch 1 or 2 pole, non-illuminated or illuminated, acc. to IEC 61058-1 <a href="#">Technical Details</a>
Dielectric Strength	> 2.5 kVAC between L-N > 3 kVAC between L/N-PE (1 min/50 Hz)		
Allowable Operation Temp.	-25 °C to 70 °C		
Degree of Protection	from front side IP 40 acc. to IEC 60529		
Protection Class	Suitable for appliances with protection class I or II acc. to IEC 61140		
Terminal	Quick connect terminals 4.8 x 0.8 mm		
Panel Thickness s	Screw: max 6 mm Mounting screw torque max 0.5 Nm Snap-in: 1/1.5/2/2.5/3 mm		
Material: Housing	Thermoplastic, black, UL 94V-0		

<sup>1)</sup> Standard version 12 A / special version 15 A

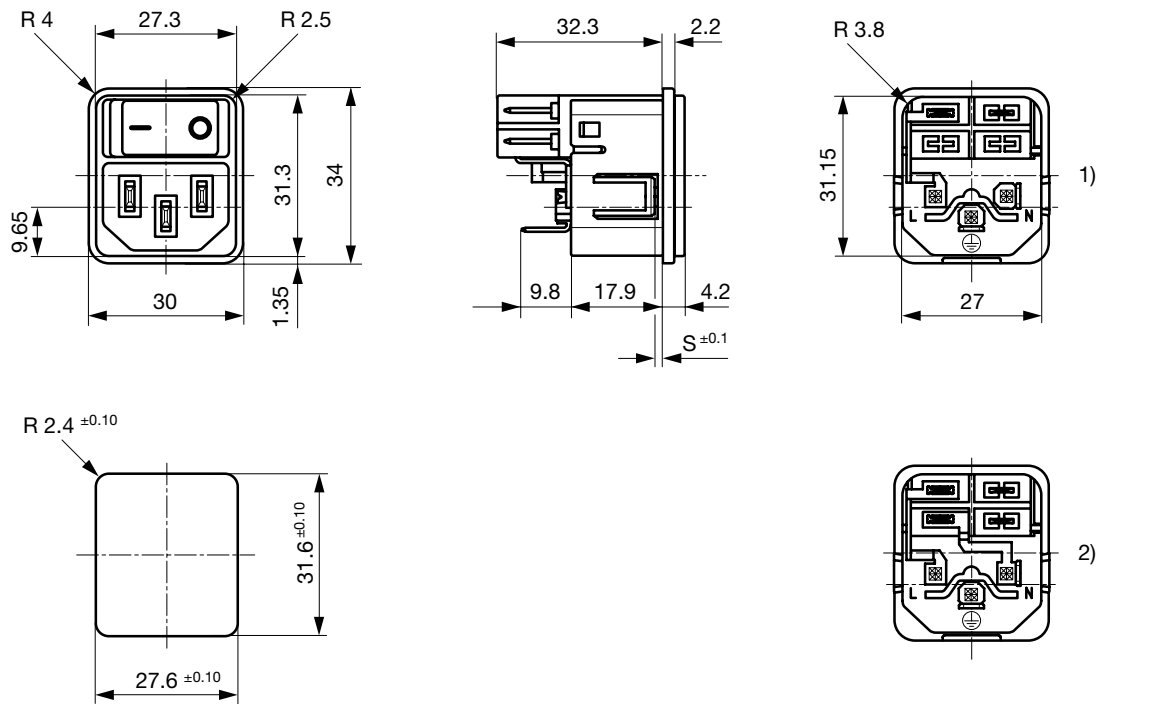
**Dimensions**

Screw-on mounting



- 1) 1-pol non-illuminated
- 2) 2-pol illuminated, 2-pol non-illuminated

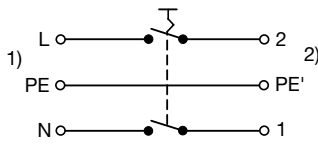
Snap-in mounting



- 1) 1-pol non-illuminated
- 2) 2-pol illuminated, 2-pol non-illuminated

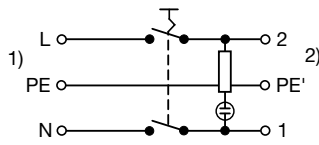
## Diagrams

Line switch non-illuminated 2-pole



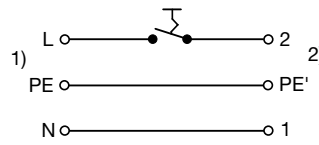
1) Line  
2) Load

Line switch illuminated 2-pole



1) Line  
2) Load

Line switch non-illuminated 1-pole



1) Line  
2) Load

## All Variants

Rated Current UL [A]	Protection Class	Panel mounting	Panel Thickness s [mm]	Line Switch	Illumination	Color	Order Number
12	I	Snap-in	1.5	2-pole	●	red	DC11.0021.201
15	I	Snap-in	1.5	2-pole	●	red	DC11.0021.206
12	I	Snap-in	2	2-pole	●	red	DC11.0021.301
12	I	Snap-in	2.5	2-pole	●	red	DC11.0021.401
12	I	Snap-in	1.5	2-pole	●	green	DC11.0031.201
12	I	Snap-in	2	2-pole	●	green	DC11.0031.301
12	I	Snap-in	2.5	2-pole	●	green	DC11.0031.401
12	I	Snap-in	1.5	1-pole	-	-	DC11.0001.203
15	I	Snap-in	1.5	1-pole	-	-	DC11.0001.207
12	I	Snap-in	2	1-pole	-	-	DC11.0001.303
12	I	Snap-in	2.5	1-pole	-	-	DC11.0001.403
12	I	Snap-in	2.5	1-pole	-	-	DC11.0001.403.21
12	I	Snap-in	1.5	2-pole	-	-	DC11.0001.201
12	I	Snap-in	1.5	2-pole	-	-	DC11.0001.201.21
15	I	Snap-in	1.5	2-pole	-	-	DC11.0001.206
12	I	Snap-in	2	2-pole	-	-	DC11.0001.301
12	II	Snap-in	2	2-pole	-	-	DC11.0001.351
12	I	Snap-in	2.5	2-pole	-	-	DC11.0001.401
12	I	Snap-in	3	2-pole	-	-	DC11.0001.501
12	I	Screw	-	2-pole	●	red	DC11.0021.001
15	I	Screw	-	2-pole	●	red	DC11.0021.006
12	I	Screw	-	2-pole	●	green	DC11.0031.001
12	I	Screw	-	1-pole	-	-	DC11.0001.003
15	I	Screw	-	1-pole	-	-	DC11.0001.007
12	I	Screw	-	2-pole	-	-	DC11.0001.001
12	I	Screw	-	2-pole	-	-	DC11.0001.001.21
15	I	Screw	-	2-pole	-	-	DC11.0001.006

Most Popular.

Availability for all products can be searched real-time: <http://www.schurter.com/en/Stock-Check/Stock-Check-SCHURTER>

With screw mounting on PCB, 2 screws are included

All variants according VDE (ENEC 10) approved for 10 A

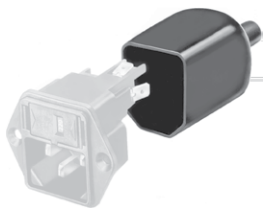
Suffix ".21" corresponds to the version with V-Lock mating cordset. The connector is equipped with a notch intended for use with the latching cordset. The cord latching system prevents against accidental removal of the cordset.

## Packaging unit

50 Pcs

Accessories

Description



Assorted Covers  
Rear Cover



Wire Harness  
Wire harness for SCHURTER products



Cord retaining kits  
Cord retaining strain relief

Mating Outlets/Connectors

Category / Description

Appliance Outlet Overview complete



IEC Appliance Outlet F, Screw-on Mounting, Front Side, Solder Terminal	4787
IEC Appliance Outlet F, Snap-in Mounting, Front Side, Solder or Quick-connect Terminal	4788
IEC Appliance Outlet F or H, Screw-on Mounting, Front Side, Solder, PCB or Quick-connect Terminal	5091

Appliance Outlet further types to DC11

Connector Overview complete



IEC Connector C15A, Rewireable, Straight	0102
IEC Connector C15A, Rewireable, Straight	0102-G
IEC Connector C15A, Rewireable, Angled	0112
IEC Connector C13, Rewireable, Angled	4012
IEC Connector C13, Rewireable, Straight	4022

Connector further types to DC11

...

Power Supply Cord Overview complete



EU Power Supply Cord with IEC Connector C13, straight	6003.0215
EU Power Supply Cord with IEC Connector C13, straight	6004.0215

Power Supply Cord further types to DC11

Mating Outlets/Connectors shuttered



[Power Cord Overview complete](#)

[Overview Power Supply Cord with IEC Connector C13, V-Lock, straight](#)

[VAC13KS](#)

[Power Cord further types to DC11](#)