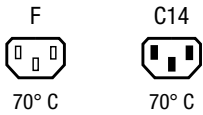


Distribution Unit with 1 IEC Appliance Inlet C14 and 4 Appliance Outlets F



Minibloc 4747



Description

- Stand alone module
- 1 Function:
of 4 outlets, Pin temperature 70 °C, Protection class I

Approvals

- CSA File Number: 56242

Characteristics

- Suitable for use in equipment according to IEC/UL 60950

Weblinks

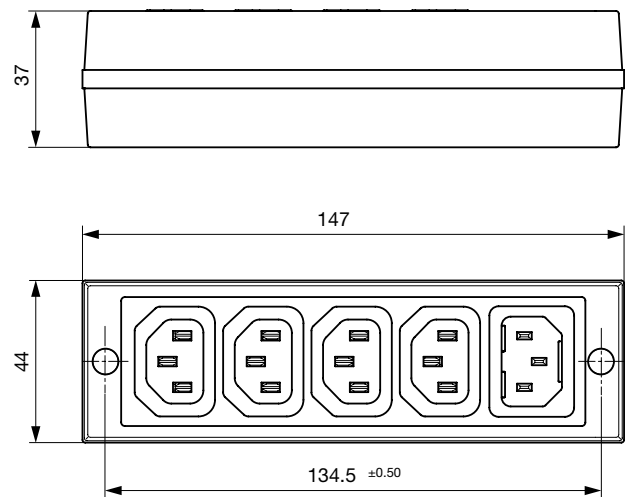
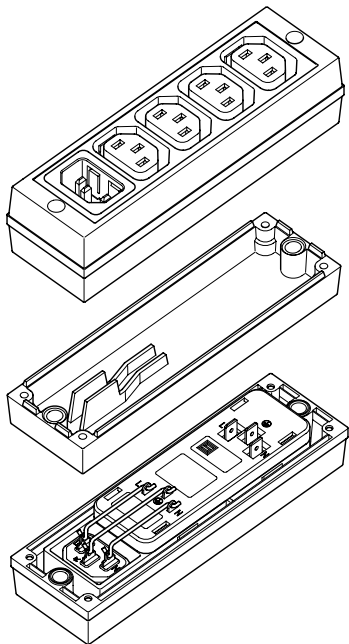
[pdf-datasheet](#), [html-datasheet](#), [General Product Information](#), [Approvals](#), [CE declaration of conformity](#), [RoHS](#), [CHINA-RoHS](#), [REACH](#), [Mating Connectors](#), [e-Shop](#), [SCHURTER-Stock-Check](#), [Distributor-Stock-Check](#), [CAD-Drawings](#), [Accessories](#), [Detailed request for product](#)

Technical Data

| | |
|---------------------------|---|
| Ratings IEC | 10A / 250VAC; 50Hz |
| Ratings UL/CSA | 15A / 250VAC; 60Hz |
| Dielectric Strength | > 2kVAC between L-N > 2kVAC between L/N-PE (1 min/50Hz) |
| Allowable Operation Temp. | -25 °C to 70 °C |
| Protection Class | Suitable for appliances with protection class I acc. to IEC 61140 |
| Material: Housing | Thermoplastic, black, UL 94V-0 |

| | |
|------------------------------------|--|
| Appliance Inlet / Appliance Outlet | C14 acc. to IEC 60320, / F acc. to IEC 60320, UL 498 CSA C22.2 no. 42 (for cold conditions) pin-temperature 70 °C, 10A, Protection Class I |
| MTBF | > 200'000h acc. to MIL-HB-217 F |

Dimensions



Mounting holes for 3 mm screws

All Variants

| Terminal | Version with | Order Number |
|----------|--------------|--------------|
| - | inlet | 4747.0000 |

Most Popular.

Availability for all products can be searched real-time:<http://www.schurter.com/en/Stock-Check/Stock-Check-SCHURTER>

Packaging unit 30 Pcs

Mating Inlets/Plugs

Category / Description

Plug Overview complete



| | |
|---|------|
| IEC Plug E, Cord Connector (Rewireable), Straight, max. cable Diameter 8.5 mm | 4732 |
| IEC Plug E, Cord Connector (Rewireable), Angled, max. Cable Diameter 8.5 mm | 4733 |
| IEC Plug E, Cord Connector (Rewireable), Straight, max. Cable Diameter 10 mm | 4735 |
| IEC Plug E, Cord Connector (Rewireable), Angled, max. Cable Diameter 10 mm | 4736 |
| IEC Plug E, Cord Connector (Rewireable), Straight | 9009 |
| Plug further types to 4747 | ... |

Mating Outlets/Connectors

Appliance Outlet Overview complete



| | |
|---|------|
| IEC Appliance Outlet F, Screw-on Mounting, Front Side, Solder Terminal | 4787 |
| IEC Appliance Outlet F, Snap-in Mounting, Front Side, Solder or Quick-connect Terminal | 4788 |
| IEC Appliance Outlet F or H, Screw-on Mounting, Front Side, Solder, PCB or Quick-connect Terminal | 5091 |
| Appliance Outlet further types to 4747 | ... |

Connector Overview complete



| | |
|--|--------|
| IEC Connector C15A, Rewireable, Straight | 0102 |
| IEC Connector C15A, Rewireable, Straight | 0102-G |
| IEC Connector C15A, Rewireable, Angled | 0112 |
| IEC Connector C13, Rewireable, Angled | 4012 |
| IEC Connector C13, Rewireable, Straight | 4022 |
| Connector further types to 4747 | ... |

Power Supply or Interconnection Cord Overview complete



| | |
|--|----------------|
| Diverse Power Supply and Interconnection Cords 10 A | Cord Sets 10 A |
| Power Supply or Interconnection Cord further types to 4747 | ... |