

IEC Appliance Inlet C14 or C18 with Voltage Selector and Fuseholder 1- or 2-pole



Description

- Panel Mount:
Screw-on from front side, Appliance Inlet, protection class I or II, Voltage Selectors
- Solder terminals or quick connect terminals

Approvals

- UL File Number: E88880
- CSA File Number: 1084381

References

Alternative: version for PCB mounting
Last order possibility: 31.05.2011

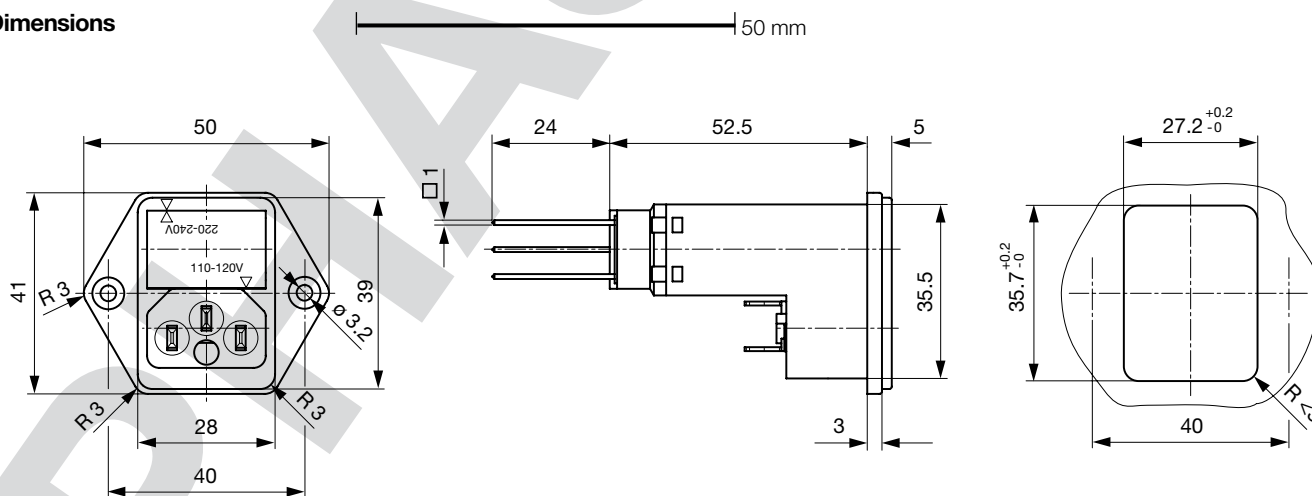
Weblinks

[General Product Information](#), [Approvals](#), [RoHS](#), [CHINA-RoHS](#), [Mating Connectors](#), [e-Store](#), [SCHURTER-Stock-Check](#), [Distributor-Stock-Check](#), [Accessories](#)

Technical Data

Ratings IEC	10 A / 250VAC; 50Hz	Appliance Inlet	C14 acc. to IEC/EN 60320-1
Ratings UL/CSA	10 A / 250VAC; 60 Hz	Fuseholder	UL 498, CSA C22.2 no. 42 (for cold conditions) pin-temperature 70 °C, 10 A, Protection Class 1 or 2
Dielectric Strength	> 3 kVAC between L-N > 1.5 kVAC between L/N-PE (1 min/50Hz)	Power Acceptance @ Ta > 23°C	1 or 2 pole, acc. to IEC 60127-6, for fuse-links 5 x 20 mm
Allowable Operation Temp.	-25 °C to 70 °C	Voltage Selectors	Admissible power acceptance at higher ambient temperature see derating curves
Degree of Protection	from front side IP 20 acc. to IEC 60529		
Protection Class	Suitable for appliances with protection class 1 or 2 acc. to IEC 61140		
Terminal	Solder terminals or quick connect terminals		
Panel Thickness s	:		
Material: Housing	PA6, black or grey, UL 94V-0		

Dimensions



Length of the terminal please find at the order code configuration table

Config. Code

1067 - H - A B C N - D - E G O


The characters are placeholders for the correspondingly keys of selections from the key tables.

1067 - **H** - A B C N - D - E G O = Type

Type	Configuration key
protection class 2	B
protection class 1	X

1067 - H - **A** B C N - D - E G O = Terminals

Terminal L	Configuration key
short solder terminal (L = 4.8 mm)	2
long solder terminal (L = 8.5 mm)	3
Blade terminal (4.8 x 0.8 mm)	8
Blade terminal (6.3 x 0.8 mm)	9



1067 - H - A **B** C N - D - E G O = Terminals

Terminal N	Configuration key
short solder terminal (L = 4.8 mm)	2
long solder terminal (L = 8.5 mm)	3
Blade terminal (4.8 x 0.8 mm)	8
Blade terminal (6.3 x 0.8 mm)	9

Symbols similar as in table A

1067 - H - A B **C** N - D - E G O = Terminals

Terminal Ground	Configuration key
without terminal	0
short solder terminal (L = 4.8 mm)	2
long solder terminal (L = 8.5 mm)	3
Blade terminal (4.8 x 0.8 mm)	8
Blade terminal (6.3 x 0.8 mm)	9

Symbols similar as in table A

1067 - H - A B C **N** - D - E G O = Terminal Fuseholder

Terminal Fuseholder	Configuration key
PCB-terminal (standard)	4

1067 - H - A B C N - **D** - E G O = Color

Color	Configuration key
jet black; RAL9005	A
silver grey; RAL7001	B

1067 - H - A B C N - D - **E** G O = Style

Style	Configuration key
flange with countersunk holes	1
flange with through holes	2

1067 - H - A B C N - D - E **G** O = Dimension X

Dimension "X"	Configuration key
00	

The dimension "X" is displayed in ($1/_{10}$ mm). This information is also valid for the order code

1067 - H - A B C N - D - E G **O** = Features

Features	Configuration key
voltage selector with 1 fuse	6
voltage selector with 2 fuses	7

Variants

Config. Code	Description	Order Number
1067-B-8804-A-1007	1067, IEC Power Entry Module C14, 70°C, version: 1 or 2, L: blade terminal (4,8x0,8mm), N: blade terminal (4,8x0,8mm), ground: without terminal, fuseholder: PCB-terminal (standard), color: jet black; RAL9005, design: flange with countersunk holes, dimension X: 00, features: voltage selector with 2 fuses, not used	4304.6037
1067-X-9994-A-1007	1067, IEC Power Entry Module C14, 70°C, version: 1 or 2, L: blade terminal (6,3x0,8mm), N: blade terminal (6,3x0,8mm), ground: blade terminal (6,3x0,8mm), fuseholder: PCB-terminal (standard), color: jet black; RAL9005, design: flange with countersunk holes, dimension X: 00, features: voltage selector with 2 fuses, not used	4304.6039

The listed variants should be available from stock. Other versions on request www.schurter.com/contact

Packaging unit 50 Pcs

Mating Outlets/Connectors

Category / Description

Connector Overview complete



IEC Connector C15, Rewireable, Straight	0101
IEC Connector C15A, Rewireable, Straight	0102
IEC Connector C15A, Rewireable, Straight	0102-G
IEC Connector C15A, Rewireable, Angled	0112
IEC Connector C13, Rewireable, Angled	4012

Connector further types to 1067

...

Power Cord Overview complete



Power Cord with IEC Connector C13, Angled	0311
Power Cord with IEC Connector C13, Angled	3011
Power Cord with IEC Connector C13, Angled	3012
Power Cord with IEC Connector C13, Angled	3013
Power Cord with IEC Connector C13	3020

Power Cord further types to 1067

...

Power Supply or Interconnection Cord Overview complete



Divers Power Supply and Interconnection Cords 10 A	6000.0214
Divers Power Supply and Interconnection Cords 10 A	6000.0224
Divers Power Supply and Interconnection Cords 10 A	6003.0204
Divers Power Supply and Interconnection Cords 10 A	6003.0205
Divers Power Supply and Interconnection Cords 10 A	6003.0215

Power Supply or Interconnection Cord further types to 1067

...