
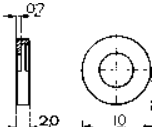

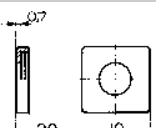

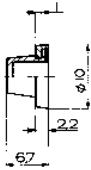
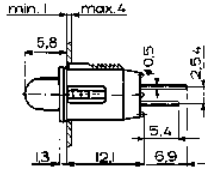

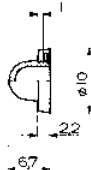
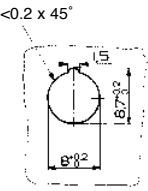

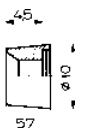
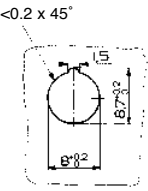

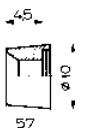
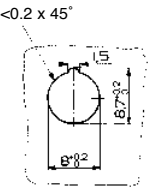



# LED-Holder LDR (for 5mm T1-3/4 LED) with built-in resistor

Models	Dimensions	Reflector	Lenses	Part Number	
		Anode (+Pole) is underneath antirotation lance	without	without <input type="checkbox"/>	0035.9437.X
				without <input type="checkbox"/>	0035.9447.X
			black	clear glass <input type="checkbox"/>	0035.9465 .X
				clear red <input type="checkbox"/>	0035.9466 .X
				clear green <input type="checkbox"/>	0035.9467 .X
				clear yellow <input type="checkbox"/>	0035.9468 .X
			chrome plated	clear green <input type="checkbox"/>	0035.9477 .X
			black	clear glass <input type="checkbox"/>	0035.9311 .X
				clear red <input type="checkbox"/>	0035.9312 .X
				clear green <input type="checkbox"/>	0035.9313 .X
				clear yellow <input type="checkbox"/>	0035.9314 .X
			chrome plated	clear glass <input type="checkbox"/>	0035.9391 .X
				clear red <input type="checkbox"/>	0035.9392 .X
				clear green <input type="checkbox"/>	0035.9393 .X
				clear yellow <input type="checkbox"/>	0035.9394 .X
			black	without <input type="checkbox"/>	0035.9318 .X
			chrome plated	without <input type="checkbox"/>	0035.9315 .X
LED's			Voltage range (DC)		
			5 - 7V	12 - 16V	24 - 30V
Color of LED	red	1 <input type="checkbox"/>	4 <input type="checkbox"/>	7 <input type="checkbox"/>	
	green	2 <input type="checkbox"/>	5 <input type="checkbox"/>	8 <input type="checkbox"/>	
	yellow	3 <input type="checkbox"/>	6 <input type="checkbox"/>	9 <input type="checkbox"/>	
				Securing clip necessary for panel mounting <input type="checkbox"/>	0850.9242. X

## Technical data

### 1. Mechanical data

Technical data LED 0925.0059/60/61 see page 87

### 2. Others

Solderability	max. 2s < 235°C ( IEC 68 2-20 Test Ta Method 1 )
Soldering heat resistance	max. 5 s < 260°C ( IEC 68 2-20 Test Tb Method 1A )
Ambient temperature	-25°C - + 55°C
Storage temperature	-55°C - +100°C

### 3. Materials

Socket	Thermoplast
--------	-------------