

Circuit Breaker for Equipment thermal vertical, THT terminals for PCB mounting, 1 pole



### Description

- Thermal circuit breaker
- 1-pole
- On request available with elevated glow-wire ratings
- THT connectors

### Unique Selling Proposition

- Reset type
- Cycling trip-free release
- Compact design
- Different mounting possibilities

### Standards

- IEC 60934
- UL 1077
- CSA C22.2 No. 235
- GB 17701

### Applications

- Designed for standard and medical applications
- Power supplies
- Uninterruptible power supply
- Power tools
- Industrial appliances
- HVAC
- Household appliances

### Weblinks

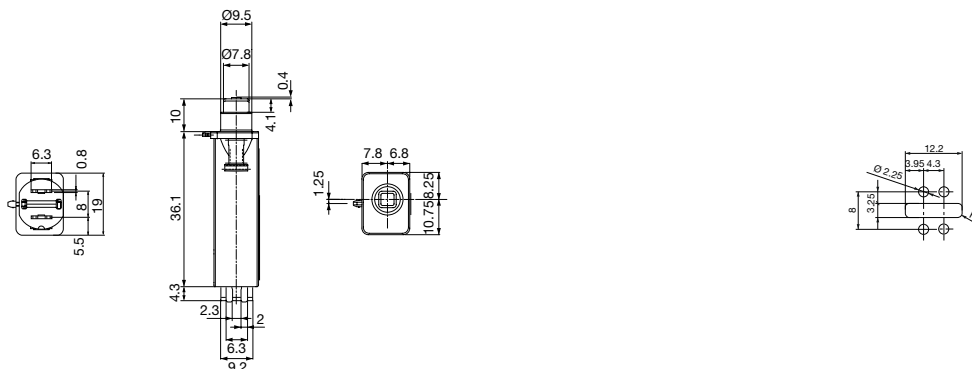
[pdf-datasheet](#), [html-datasheet](#), [General Product Information](#), [Approvals](#), [CE declaration of conformity](#), [RoHS](#), [CHINA-RoHS](#), [REACH](#), [Distributor-Stock-Check](#), [Detailed request for product](#), [Product News](#), [Video](#)





### Technical Data

Rated Voltage AC	240 V, 50 / 60 Hz
Rated Voltage DC	48 V
Rated current	4-12 A
Conditional short circuit capacity	IEC: Inc, PC1, AC 240 V: 2 kA UL / CSA: SC, AC 240 V DC 48 / 32 V: 2 kA, C1
Degree of protection front side	IP 40
Endurance minimum	IEC: 200% I <sub>r</sub> , cos φ 0.6: min. 50 switching cycles
Endurance typical	4-8 A: 150% I <sub>r</sub> , cos φ 0.9: 2500 switching cycles 10-12 A: 150% I <sub>r</sub> , cos φ 0.9: 6000 switching cycles
Dielectric Strength	1500 VAC
Insulation resistance	500 VDC > 1000 MΩ

Ambient temperature	5-12 A: -5 °C to 60 °C 4 A: -5 °C to 50 °C
Soldering Methods	Wave
Solderability	245 °C / 3 sec acc. to IEC 60068-2-20 / Test Ta, method 1
Resistance to Soldering Heat	260 °C / 10 sec acc. to IEC 60068-2-20 / Test Tb, method 1A
Weight	approx. 12.5 g

### Dimension

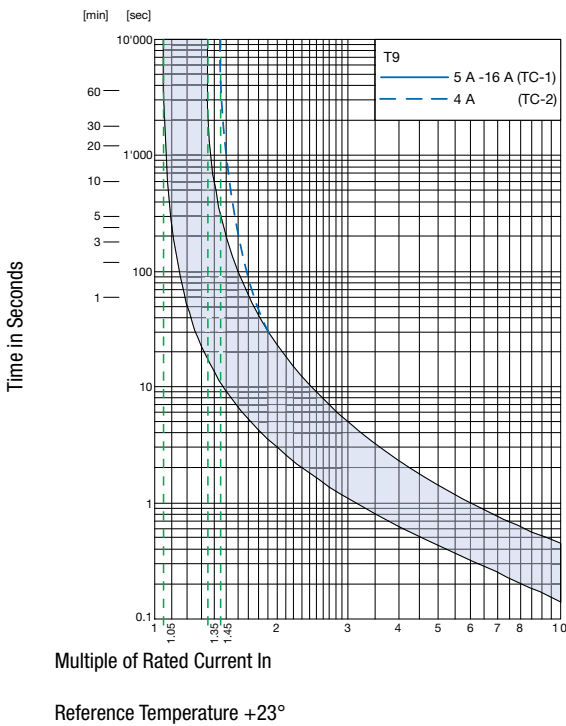


Approval	Rated current	Rated voltage AC	Rated voltage DC
 UL 1077	4 - 12 A	240 V	48 V
 CSA 22.2 235	4 - 12 A	240 V	48 V
 IEC 60934	4 - 12 A	240 V	48 V
 GB 17701	4 - 12 A	240 V	48 V

**Typical internal resistance**

Rated Current [A]	Internal Resistance [mΩ]
4	26.3
5	24.1
6	19.0
7	18.0
8	14.8
10	13.0
12	12.7

**Time-Current-Curves**



**Effect of ambient temperature**

The units are calibrated for an ambient temperature of +23°C. To determine the rated current for a lower or higher ambient temperature, use a correction factor (typical value) from the table below:

Ambient temperature [°C]	Correction factor
-5	0,85
+10	0,95
+23	1,00
+40	1,08
+60	1,21

Example: Rated current = 10 A; Environmental temperature = 60 °C; --> Correction factor = 1.21; Resulting current = 12.1 A --> Fount to next higher rated current: 13 A

**Variants**

connection type	Rated current	Order Number
Solder, THT	4A	3-101-228
Solder, THT	5A	3-101-227
Solder, THT	6A	3-101-226
Solder, THT	7A	3-101-232
Solder, THT	8A	3-101-231
Solder, THT	10A	3-101-230
Solder, THT	12A	3-101-229

Availability for all products can be searched real-time:<http://www.schurter.com/Stock-Check/Stock-Check-SCHURTER>

**Packaging Unit**      100 Pcs