

IEC Plug I, Cord Connector (Rewireable), Angled



4789



**Description**

- Rewireable plug for cable 90° entry:  
Screwing cable terminal
- 1 Function
- Appliance Inlet, Pin temperature 70 °C, Protection class I
- Screw clamps

**Approvals**

- VDE Certificate Number: 40008629
- UL File Number: E96454
- CCC File Number: 2014010204709155

**Characteristics**

- Suitable for use in equipment according to IEC/UL 60950

**References**

Substitute for type 1611

**Weblinks**

[pdf-datasheet](#), [html-datasheet](#), [General Product Information](#), [Approvals](#), [CE declaration of conformity](#), [RoHS](#), [CHINA-RoHS](#), [REACH](#), [Mating Connectors](#), [e-Shop](#), [SCHURTER-Stock-Check](#), [Distributor-Stock-Check](#), [CAD-Drawings](#), [Accessories](#), [Detailed request for product](#)

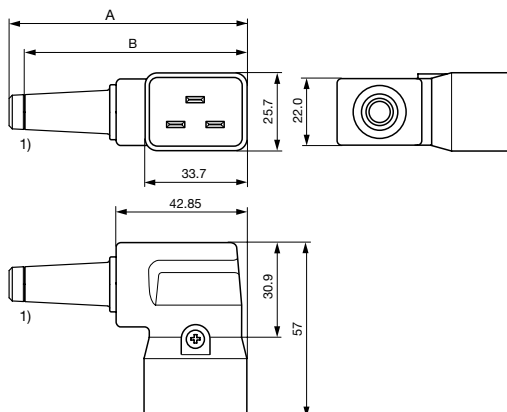
**Technical Data**

|                           |   |
|---------------------------|---|
| Ratings IEC               | 16A / 250VAC; 50Hz  |
| Ratings UL/CSA            | 20A / 250VAC; 60Hz  |
| Dielectric Strength       | > 2 kVAC between L-N<br>> 2 kVAC between L/N-PE<br>(1 min/50Hz)   |
| Allowable Operation Temp. | -25 °C to 70 °C   |
| Protection Class          | Suitable for appliances with protection class I acc. to IEC 61140 |
| Terminal                  | Screw   |
| Material: Housing         | Thermoplastic, black, UL 94V-0                                    |

|      |   |
|------|---|
| Plug | Type I acc. to IEC/EN 60320-2-2,<br>UL 60320-1, CSA C22.2 no. 60320-1-11 (for cold conditions) pin-temperature 70 °C, 16A, Protection Class I |
|------|---|

**Dimensions**

4789



- 1) Cut strain relief 8 (10) mm here for 10 mm cable  
 A: Strain relief 8 mm: 77.85 mm  
 B: Strain relief 10 mm: 72.85 mm

## All Variants

| Color | Max. cable diameter | Max. wire size                       | Order Number |
|-------|---------------------|--------------------------------------|--------------|
| black | 8 (10) mm           | 3 x 1.5 mm <sup>2</sup> / 3 x 14 AWG | 4789.1100    |
| black | 10 mm               | 3 x 1.5 mm <sup>2</sup> / 3 x 14 AWG | 4789.1200    |

Most Popular.

Availability for all products can be searched real-time: <http://www.schurter.com/en/Stock-Check/Stock-Check-SCHURTER>

Max. torque for screws: Terminals: 0.8 Nm, Cable clamps: 0.8 Nm, Cover: 0.5 Nm

Packaging unit 50 Pcs

## Mating Outlets/Connectors

## Category / Description

## Appliance Outlet Overview complete



|   |      |
|---|------|
| IEC Appliance Outlet J, Screw-on Mounting, Front Side, Solder or Quick-connect Terminal         | 0723 |
| IEC Appliance Outlet J, Snap-in/Screw-on Mounting, Front Side, Solder or Quick-connect Terminal | 4797 |
| IEC Appliance Outlet J, Snap-in Mounting, Front Side, Quick-connect Terminal                    | 5013 |
| IEC Appliance Outlet J, Screw-on Mounting, Front Side, Quick-connect Terminal                   | 5016 |
| IEC Appliance Outlet J, Screw-on Mounting, Front Side, Quick-connect Terminal                   | 5017 |
| <a href="#">Appliance Outlet further types to 4789</a>  | ...  |

## Connector Overview complete



|   |       |
|---|-------|
| IEC Connector C19, Rewireable, Straight         | 0104U |
| IEC Connector C19, Rewireable, Angled           | 4790  |
| IEC Connector C19, Rewireable, Straight         | 4795  |
| <a href="#">Connector further types to 4789</a> |       |