

### 1 Products affected

Product hierarchy no. *				Part no.	SBU	Type / Description	Customer part no.
SBU	PG	PUG	Type				
02	005	016	0000001169	See list below	Connectors	DD11	

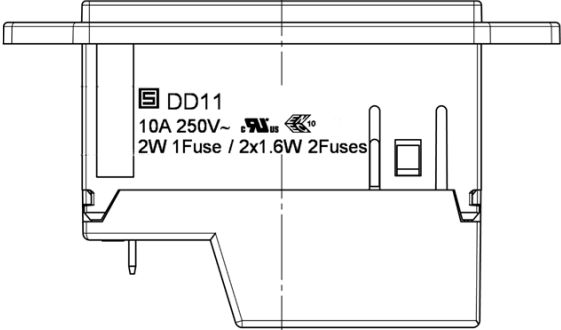
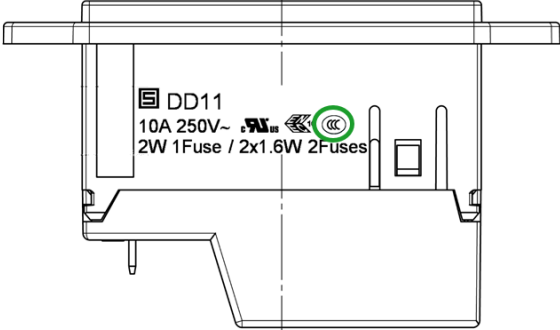
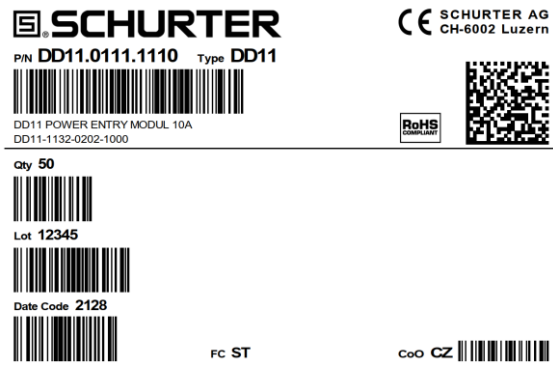
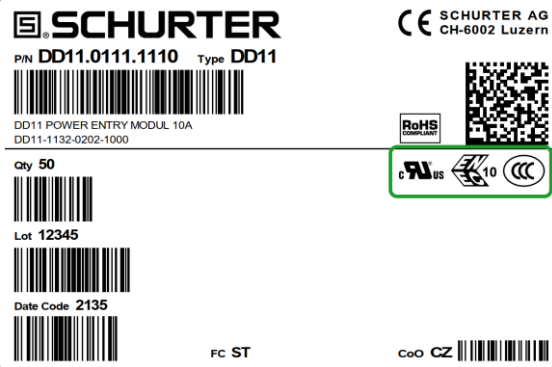
\*SBU (2-digit) / PG (3-digit) / PUG (3-digit) / Type (10-digit)

List of part numbers affected					
DD11.0111.1110	DD11.0114.1111	DD11.0123.1111	3-102-856	3-122-558	
DD11.0111.1111	DD11.0121.1110	DD11.0123.9110	3-102-858	3-129-050	
DD11.0111.1111.03	DD11.0121.1110.01	DD11.0124.1110	3-102-860	3-131-451	
DD11.0111.9110	DD11.0121.1110.02	DD11.0124.1111	3-108-742	3-131-462	
DD11.0113.1110	DD11.0121.1111	DD11.0124.9110	3-108-778	3-131-463	
DD11.0113.1111	DD11.0121.9110	DD11.0131.1111	3-110-009	3-131-464	
DD11.0113.9110	DD11.0122.9110	3-102-849	3-115-071	3-131-465	
DD11.0114.1110	DD11.0123.1110	3-102-851	3-119-874	3-131-466	

### 2 Type of change

- DD11 new with CCC-Approval
- Packaging label new with all approvals

### 3 Detailed description of change

Old product approval	New product approval
	
Old packaging label	New packaging label
	

### 4 Reason of change

DD11 new with CCC-Approval

### 5 Release date

Packaging labels will be changed in week 38/2021 (Date code 2138 or higher on the label).  
 Markings on the product will be changed starting week 38/2021 (Date code 2138 or higher). Rollout will last approximately 6 months depending on the variant.

Product Change Notification						PCN DD11	
owner	creation date	release date	released by	change order no	rev	page	D10-059-017
huberth	12.07.2021	20.09.2021	muehlema	2022332	A	1 of 2	

This change has no effect on the validity of the approval certificates.

## 6 Impact of change and recommended action

Form	Yes	New with CCC-Approval
Fit	No	No change for dimension
Function	No	No change in function
Manufacturing	No	No change for manufacturing site
Label	Yes	New with Approvals
Packaging	No	No change in packaging

## 7 Reference Documents / Attachments

Kind of document	Remarks
<a href="#">Data Sheet DD11</a>	

Product Change Notification					PCN DD11		
owner	creation date	release date	released by	change order no	rev	page	D10-059-017
huberth	12.07.2021	20.09.2021	muehlema	2022332	A	2 of 2	