

1 Products affected

Product hierarchy no. *				Part no.	SBU	Type / Description	Customer part no.
SBU	PG	PUG	Type				
02	007	043	0000002295	See list below	Connectors	4795	
02	007	038	0000002296	See list below	Connectors	4796	

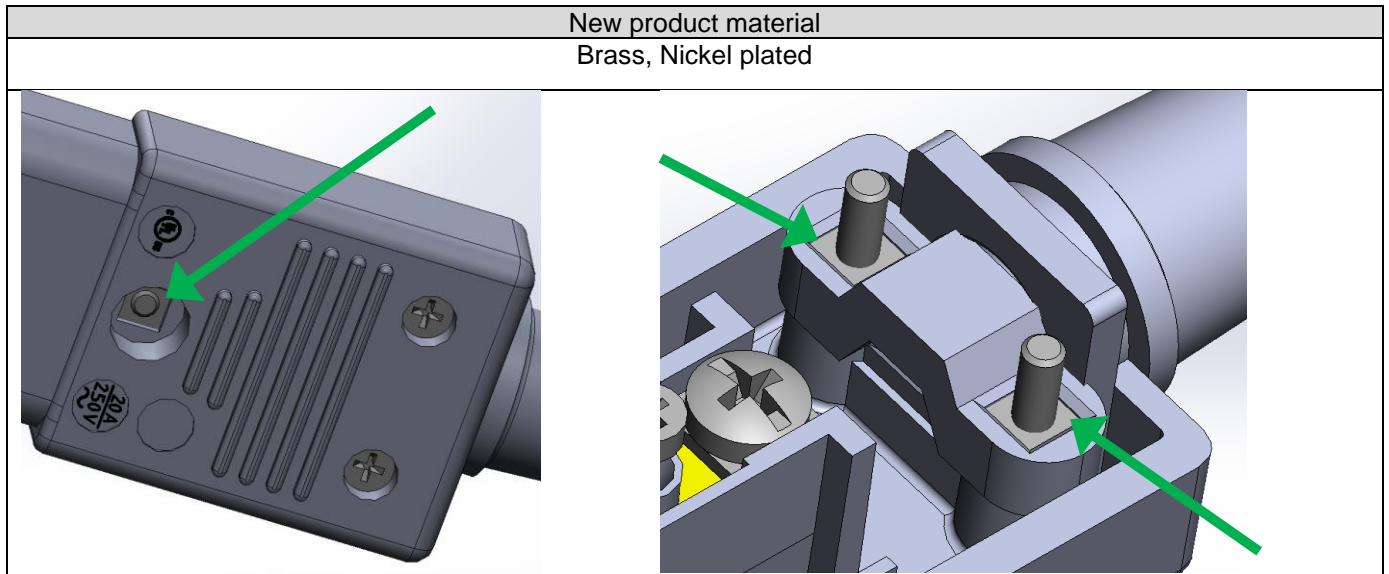
*SBU (2-digit) / PG (3-digit) / PUG (3-digit) / Type (10-digit)

List of part numbers affected			
4795.0000	4795.0100		
4796.0000	4796.0100		

2 Type of change

Material change of square nut in strain relief clamp and lower moulding from steel to brass nickel plated.

3 Detailed description of change



4 Reason of change

Improve manufacturing process

5 Release date

The change will be rolled-out starting ww 27/2021 (Date code 2127 or higher on label) and lasts approx. 6 months depending on the variant.

6 Impact of change and recommended action

Form	No	No change in form
Fit	No	No change for dimension
Function	No	No change in function
Manufacturing	Yes	Material change of square nut
Label	No	No change on label
Packaging	No	No change in packaging

7 Reference Documents / Attachments

Kind of document	Remarks
Data Sheet 4795	
Data Sheet 4796	

Product Change Notification						PCN 4795/4796	
owner	creation date	release date	released by	change order no	rev	page	D10-058-095
huberth	21.05.2021	28.07.2021	muehlema	2022054	A	1 of 1	