

1 Products affected

Product hierarchy no. *				Part no.	SBU	Type / Description	Customer part no.
SBU	PG	PUG	Type				
02	005	016	0000001103	See list below	Power Entry Modules w/o Filter	6200	
02	005	016	0000001104	See list below	Power Entry Modules w/o Filter	6202	
02	005	016	0000001105	See list below	Power Entry Modules w/o Filter	6205	
02	005	016	0000001106	See list below	Power Entry Modules w/o Filter	6220	

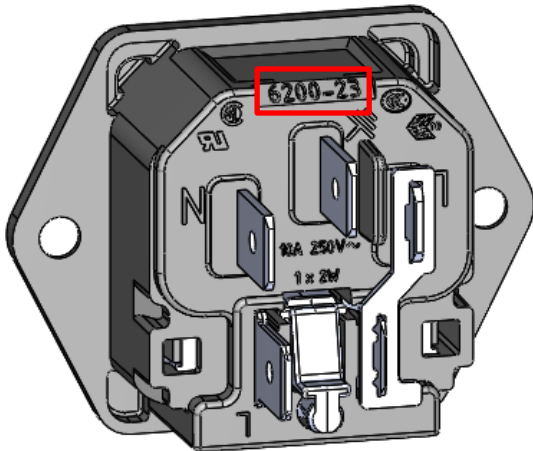
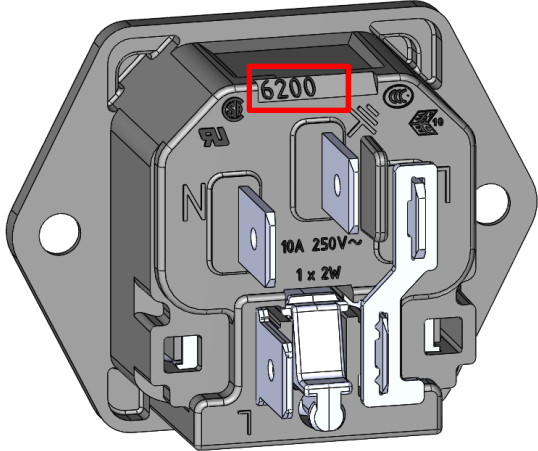
*SBU (2-digit) / PG (3-digit) / PUG (3-digit) / Type (10-digit)

List of numbers affected:							
6200		6202		6205		6220	
3-102-235	6200.4130	6200.9100	6202.2100	6205.2100	6205.4320	3-100-305	6220.5212
6001.9000	6200.4210	6200.9200	6202.2200	6205.2200	6205.4325	3-101-727	6220.5215
6001.9001	6200.4212		6202.2300	6205.2300	6205.4330	6220.2100	6220.5220
6001.9002	6200.4215			6205.4110		6220.2200	6220.5225
6001.9004	6200.4220			6205.4112		6220.2300	6220.5230
6200.2100	6200.4225			6205.4115		6220.5110	6220.5310
6200.2200	6200.4230			6205.4120		6220.5112	6220.5312
6200.2300	6200.4310			6205.4215		6220.5115	6220.5315
6200.4110	6200.4312			6205.4220		6220.5115.12	6220.5320
6200.4112	6200.4315			6205.4230		6220.5120	6220.5325
6200.4115	6200.4320			6205.4310		6220.5125	6220.5330
6200.4120	6200.4325			6205.4312		6220.5130	
6200.4125	6200.4330			6205.4315		6220.5210	

2 Type of change

- Change of markings for the type designation

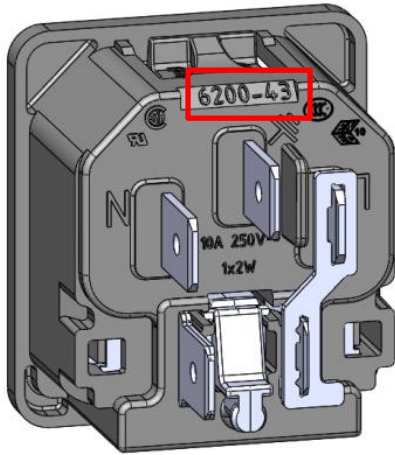
3 Detailed description of change

Type 6200 screw-on version Same change for 6202 (protection class II, without earth contact)	
Old product type designation marking	New product type designation marking
	

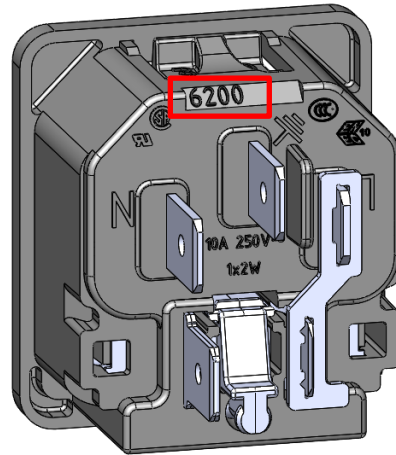
Product Change Notification					6200/6202/6205/6220 Power Entry Module		
owner	creation date	release date	released by	change order no	rev	page	D10-024-762
sariogar	20.11.2018	23.11.2018	limachcl	2015479	B	1 of 4	

Type 6200 snap-in version
Same change for 6202 (protection class II, without earth contact)

Old type designation marking



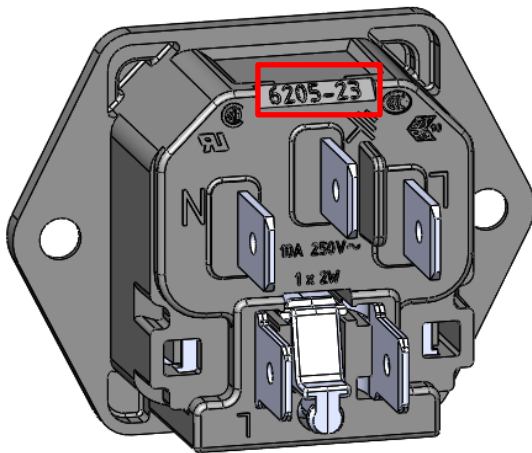
New type designation marking



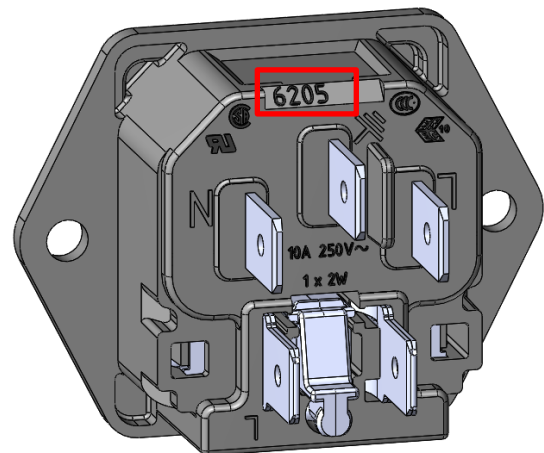
Type 6205

Old type designation marking

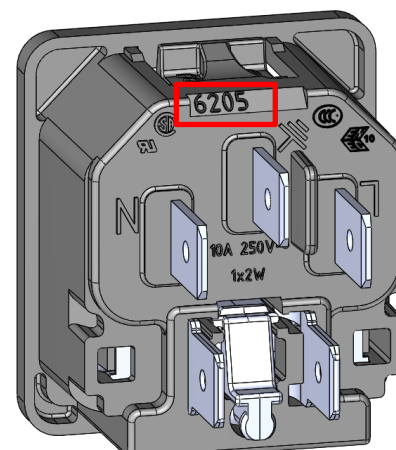
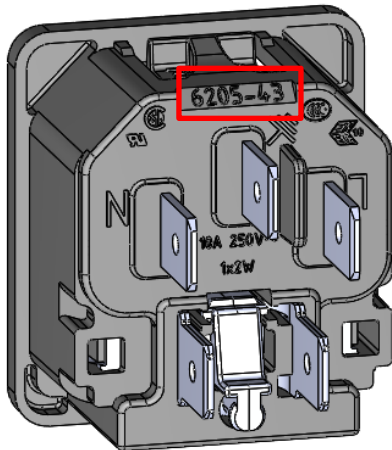
Type 6205 screw-on version



New type designation marking



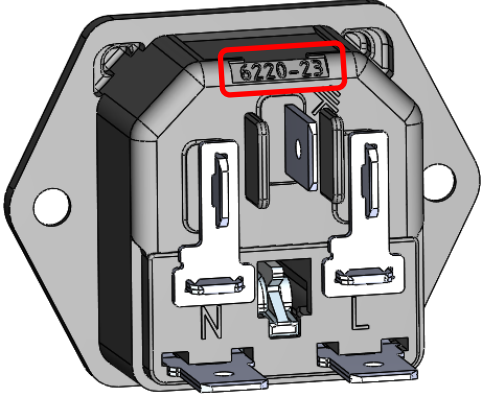
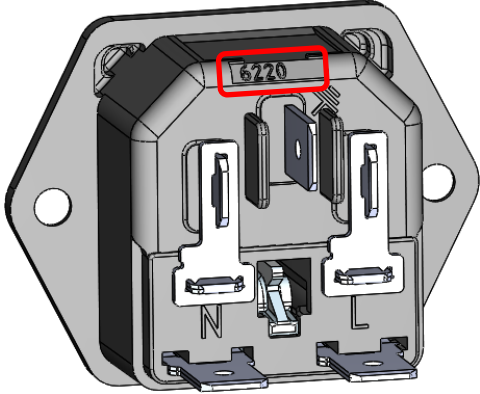
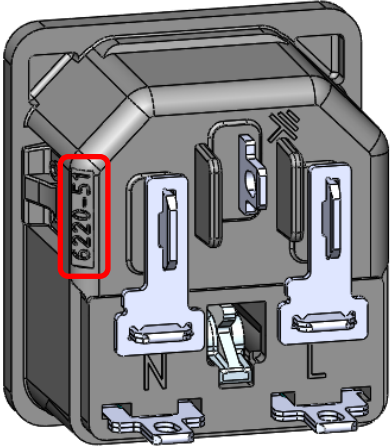
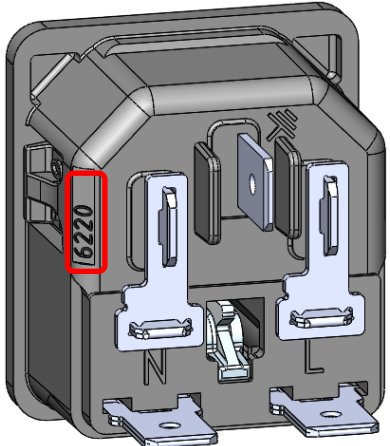
Type 6205 snap-in version



Product Change Notification

6200/6202/6205/6220 Power Entry Module

owner	creation date	release date	released by	change order no	rev	page	D10-024-762
sariogar	20.11.2018	23.11.2018	limachcl	2015479	B	2 of 4	

Type 6220	
Old type designation marking	New type designation marking
<p>Type 6220 screw-on version</p> 	
<p>Type 6220 snap-in version</p> 	

4 Reason of change

- The modification is due to harmonization processes.

5 Release date

The change will be rolled-out starting ww 30/2018 (Date code 1830 or higher on label) and lasts approx. 6 months depending on the variant. This change has no effect on the validity of the approval certificates.

6 Impact of change and recommended action

Form	Yes	Change of type designation mark
Fit	No	No change for dimension
Function	No	No change in function
Manufacturing	No	No change for manufacturing site
Label	No	No change on label
Packaging	No	No change in packaging

Product Change Notification					6200/6202/6205/6220 Power Entry Module		
owner	creation date	release date	released by	change order no	rev	page	D10-024-762
sariogar	20.11.2018	23.11.2018	limachcl	2015479	B	3 of 4	

7 Reference Documents / Attachments

Kind of document	Remarks
Data sheet 6200	
Data sheet 6202	
Data sheet 6205	
Data sheet 6220	

Product Change Notification					6200/6202/6205/6220 Power Entry Module		
owner	creation date	release date	released by	change order no	rev	page	D10-024-762
sariogar	20.11.2018	23.11.2018	limachcl	2015479	B	4 of 4	