

1 Products affected

Product hierarchy no. *				Part no.	SBU	Type / Description	Customer part no.
SBU	PG	PGU	Type				
01	002	002	0000000508	0031.1351	Circuit Protection	FIN	n/a
				0031.1352			n/a
				0031.1353			n/a
				0031.1354			n/a

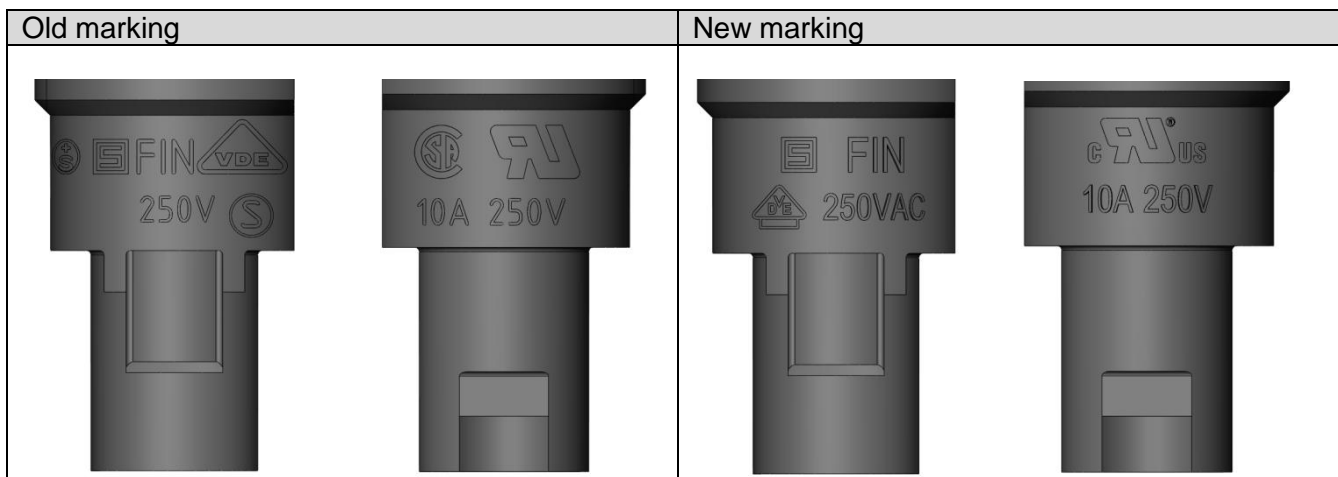
*SBU (2-digit) / PG (3-digit) / PGU (3-digit) / Type (10-digit)

2 Type of change

Modification of approval marks.

3 Detailed description of change

Old marking	New marking
UR	cURus
CSA	250VAC
250V	
Semko	VDE
SEV	
VDE ÜG	10A 250V
10A 250V	



4 Reason of change

- New approval mark by VDE
- Consolidation of North American approval marks with the combined cURus mark

5 Release date

The change will be rolled-out starting ww 27/2016 (Date code 1627 or higher on label)

Product Change Notification					FIN marking		
owner	creation date	release date	released by	change order no	rev	page	D10-001-932
dislercy	2016-02-26	2016-04-08	bergerra	2009318	A	1 of 2	

6 Impact of change and recommended action

Form	No	There are no form changes, only markings adjusted
Fit	No	There are no dimensional changes
Function	No	This is a non-functional change
Production Site	No	There is no change of the production site
Product Label	Yes	CSA and UR replaced by cURus mark SEMKO and SEV marks replaced by VDE Add of electrical ratings
Customer Action	No	Notification only

7 Reference Documents / Attachments

Kind of document	Remarks
Data sheet	

Product Change Notification					FIN marking		
owner	creation date	release date	released by	change order no	rev	page	D10-001-932
dislercy	2016-02-26	2016-04-08	bergerra	2009318	A	2 of 2	