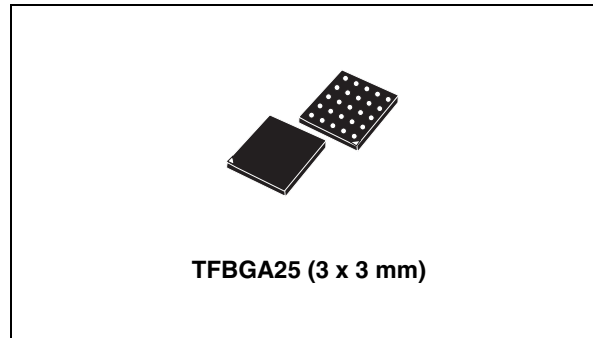


High power white LED driver with I²C interface

Features

- Boost DC-DC converter with synchronous rectification
- Drives 2 power white LEDs in series with a current up to 400 mA
- Input voltage range 2.5 V to 5.5 V
- Needs 3 external components only
- Output current control
- 1.8 MHz fixed frequency PWM control
- Peak inductor current limited to 3 A
- Full I²C control
- Operational modes:
 - Standby mode
 - Standby mode with NTC
 - Flash mode: up to 400 mA
 - Torch mode: up to 120 mA
- Soft and hard triggering of flash
- Flash and Torch dimming in 15 exponential steps
- Dimmable red LED indicator auxiliary output
- Internally or externally timed flash operation
- Digitally programmable safety time-out in flash mode
- LED overtemperature detection and protection with external NTC resistor
- Open and shorted LED failure detection and protection
- Chip overtemperature detection and protection
- Less than 1 μA standby current
- Package 3 x 3 mm TFBGA25



Applications

- Cell phones and smartphones
- Camera flashes/strobe
- PDAs and digital still cameras

Description

The STCF05 is a high efficiency power supply solution to drive multiple flash LEDs in camera phones, PDAs and other hand-held devices. The synchronous boost topology with output current control guarantees the proper LED current over all possible conditions of battery level and LED forward voltage. All the functions of the device are controlled through the I²C bus that allows to reduce logic pins on the package and to save PCB traces on the board. Hard and soft-triggering of the flash are both supported. The device includes many functions to protect the chip and the power LEDs. These comprehend a soft-start control, chip over temperature detection and protection, open and shorted LEDs detection and protection. In addition, a digital programmable time-out function protects the LEDs in case of wrong command from microprocessor. See description (continued).

Table 1. Device summary

Order code	Package	Packaging
STCF05TBR	TFBGA25 (3 x 3 mm)	3000 parts per reel

Contents

- 1 Description (continued) 5**
- 2 Diagram 6**
- 3 Pin configuration 7**
- 4 Maximum ratings 8**
- 5 Application 9**
- 6 Electrical characteristics 10**
- 7 Detailed description 12**
 - 7.1 Introduction 12
 - 7.2 Boost converter 12
 - 7.3 Logic pin description 12
 - 7.3.1 SCL, SDA pins 12
 - 7.3.2 TRIG pin 12
 - 7.3.3 ATN pin 12
 - 7.3.4 ADD pin 13
 - 7.3.5 TMSK pin 13
- 8 I²C bus interface 14**
 - 8.1 Data validity 14
 - 8.2 Start and stop conditions 14
 - 8.3 Byte format 15
 - 8.4 Acknowledge 15
 - 8.5 Interface protocol 16
 - 8.6 Writing to a single register 16
 - 8.7 Writing to multiple registers with incremental addressing 17
 - 8.8 Reading from a single register 17
 - 8.9 Reading from multiple registers with incremental addressing 18
- 9 Registers description 20**

9.1	PWR_ON	20
9.2	TRIG_EN	20
9.3	TCH_ON	20
9.4	NTC_ON	20
9.5	FTIM_0~3	20
9.6	TDIM_0~2	20
9.7	FDIM_0~2	21
9.8	LDIM	21
9.9	AUXI_0~3	21
9.10	AUXT_0~3	22
9.11	LED_S	22
9.12	F_RUN	22
9.13	LED_O	23
9.14	NTC_W	23
9.15	NTC_H	23
9.16	OT_F	23
9.17	OC_F	23
9.18	VOUTOK_N	23
10	Detailed description	25
10.1	Power ON reset	25
10.2	Shutdown, shutdown with NTC	25
10.3	Ready mode	25
10.4	Single or multiple flash using external (microprocessor) temporization ..	25
10.5	External (microprocessor) temporization using TRIG_EN bit	26
10.6	Single flash using internal temporization	26
10.7	Multiple flash using internal temporization	26
11	Typical performance characteristics	27
12	Package mechanical data	28
13	Revision history	32

List of tables

Table 1.	Device summary	1
Table 2.	Pin description	8
Table 3.	Absolute maximum ratings	9
Table 4.	Thermal data	9
Table 5.	List of external components	10
Table 6.	Electrical characteristics	11
Table 7.	Address table	14
Table 8.	Interface protocol	17
Table 9.	I ² C register mapping read function	20
Table 10.	Command register	20
Table 11.	Dimming register	20
Table 12.	Auxiliary register	22
Table 13.	Auxiliary LED dimming table	23
Table 14.	Torch mode and flash mode dimming registers settings	23
Table 15.	Status register	23
Table 16.	Status register details	25
Table 17.	Document revision history	32

List of figures

Figure 1.	Block diagram	7
Figure 2.	Pin connections (top view)	8
Figure 3.	Application schematic	10
Figure 4.	Data validity on the I ² C bus.	15
Figure 5.	Timing diagram on I ² C bus	16
Figure 6.	Bit transfer	16
Figure 7.	Acknowledge on I ² C bus.	17
Figure 8.	Writing to a single register	18
Figure 9.	Writing to multiple register with incremental addressing.	18
Figure 10.	Reading from a single register	19
Figure 11.	Reading from multiple registers	19
Figure 12.	Current intensity vs. dimming value	22
Figure 13.	VOUTOK_N behavior	25
Figure 14.	Efficiency in flash mode	28
Figure 15.	Efficiency in torch mode	28
Figure 16.	I _{LED} vs. V _{BAT} at different temp.	28
Figure 17.	I _{LED} vs. V _{OUT}	28
Figure 18.	Input current vs. input voltage.	28
Figure 19.	Quiescent current in ready mode	28

1 Description (continued)

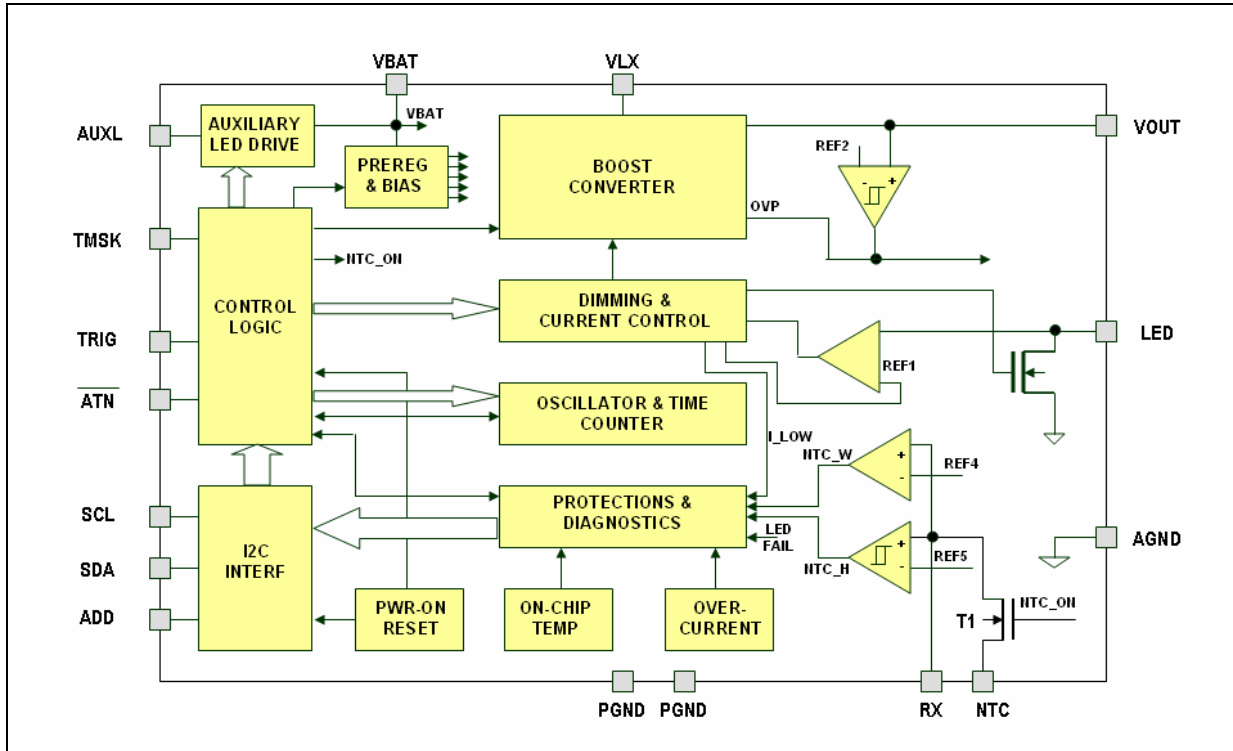
An optional external NTC is supported to protect the LEDs against over heating. In mobile phone application it is possible to reduce immediately the flash LEDs current during the signal transmission using the TMSK pin. This saves battery life and gives more priority to supply RF transmission instead of flash function.

It is possible to separately program the current intensity in flash and torch mode using exponential steps by I²C. In case of insufficient power from the battery a warning is generated. An auxiliary output can control an optional red LED to be used as a recording indicator.

The device is packaged in BGA 3 x 3 mm with 1 mm height.

2 Diagram

Figure 1. Block diagram



3 Pin configuration

Figure 2. Pin connections (top view)

	1	2	3	4	5
A	VOUT	LED	LED	ATN	TRIG
B	VOUT	ADD	SDA	SCL	TMSK
C	PGND	PGND	PGND	PGND	AUXL
D	VLX	VLX	PGND	VBAT	NTC
E	VLX	VLX	PGND	AGND	RX

Table 2. Pin description

Ball n°	Symbol	Description
E1, D1, D2, E2	VLX	Inductor connection
E5	RX	Rx resistor connection
A1, B1	VOUT	Output voltage
D5	NTC	NTC resistor connection
C5	AUXL	Auxiliary red LED connection
B4	SCL	I ² C clock signal
A5	TRIG	Flash trigger input
E4	AGND	Signal ground
B2	ADD	I ² C address selection
A2, A3	LED	Diode cathode connection
A4	ATN	Attention (open drain output, active LOW)
D4	VBAT	Supply voltage
B3	SDA	I ² C data
B5	TMSK	T-mask
C1, C2, C3, C4, D3, E3	PGND	Power ground + die back connection

4 Maximum ratings

Table 3. Absolute maximum ratings

Symbol	Parameter	Value	Unit
V _{BAT}	Signal supply voltage	-0.3 to 6	V
V _{LX}	Inductor connection	-0.3 to V _O +0.3	V
OUT	Output voltage	-0.3 to 12	V
AUXL	Auxiliary LED	-0.3 to V _{BAT} +0.3	V
LED	LEDs connection	-0.3 to V _{BAT} +0.3	V
SCL, SDA, TRIG, ATN, ADD TMSK	Logic pin	-0.3 to V _{BAT} +0.3	V
R _X	Connection for reference resistor	-0.3 to 3	V
NTC	Connection for LED temperature sensing	-0.3 to 3	V
ESD	Human body model	± 2	kV
P _{TOT}	Continuous power dissipation (at T _A = 70 °C) ⁽¹⁾	800	mW
T _{OP}	Operating ambient temperature range	-40 to 85	°C
T _J	Junction temperature	-40 to 150	°C
T _{STG}	Storage temperature range	-65 to 150	°C

1. Power dissipation is dependent on PCB. The recommended PCB design is included in the application note.

Note: Absolute maximum ratings are those values beyond which damage to the device may occur. Functional operation under these condition is not implied.

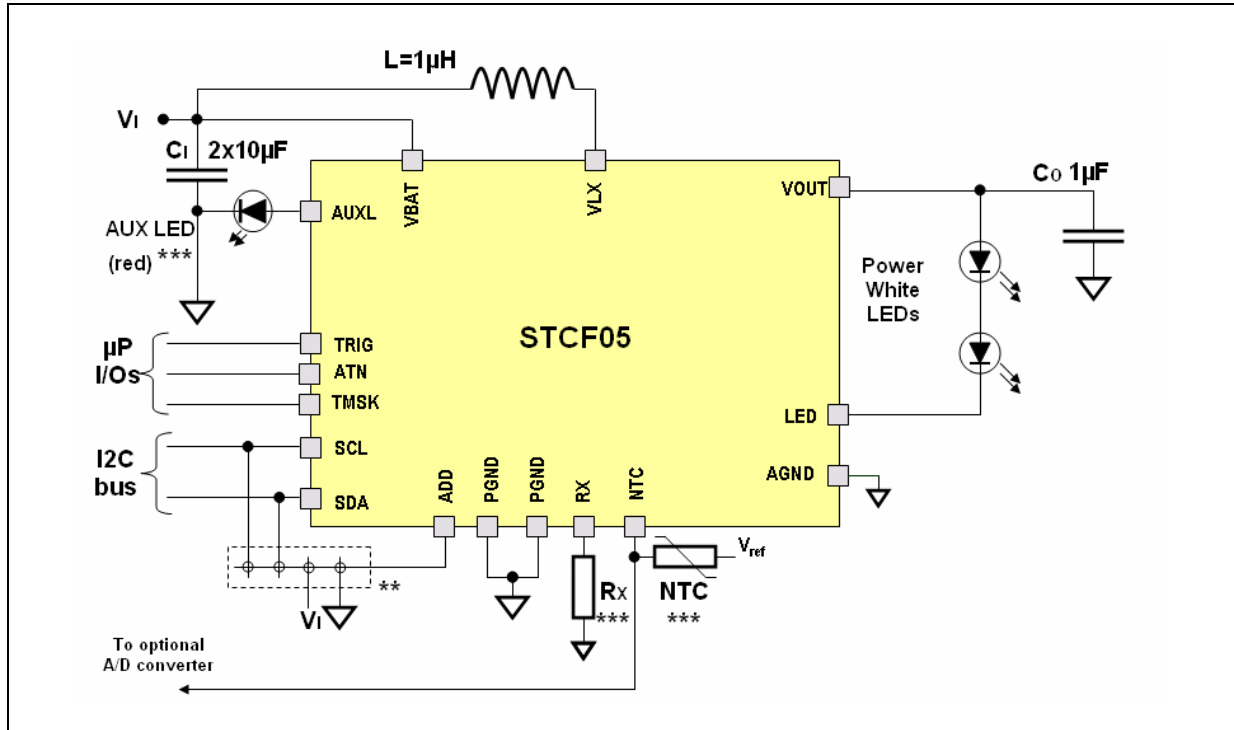
Table 4. Thermal data

Symbol	Parameter	Value	Unit
R _{thJA}	Thermal resistance junction-ambient ⁽¹⁾	56	°C/W

1. Using 1 inch² of PCB area at 4-layers board.

5 Application

Figure 3. Application schematic



** : Connect to V_{I_1} , or GND or SDA or SCL to choose one of the 4 different I²C slave addresses.

*** : Optional components to support auxiliary functions. $V_{ref} = 1.8\text{ V}$.

Table 5. List of external components

Component	Manufacturer	Part number	Value	Size
C_I	TDK	C1608X5R0J106M	10 μF	0603
C_O	TDK	C1608X5R1A105M	1 μF	0603
L	TDK	VLF4014A-1R0N2R2 ⁽¹⁾	1 μH	3.7 x 3.5 x 1.2 [mm]
		VLS252012T-1R0N1R7 ⁽²⁾	1 μH	2.5 x 2 x 1.2 [mm]
NTC	Murata	NCP21WF104J03RA	100 $\text{k}\Omega$	0805
R_X	R Ω	MCR01MZPJ15K	15 $\text{k}\Omega$	0402
LED	Luxeon LED	2 x LXCL-PWF1		0805

1. Inductor type is recommended for high efficiency operation 85 % typ. at 400 mA output current.

2. This inductor type is recommended for the minimum app. area with typ. efficiency of the operation 77 % at 400 mA output current

Note: Above listed components refer to typical application. Operation of the STCF05 is not limited to the choice of these external components.

6 Electrical characteristics

$T_A = 25\text{ }^\circ\text{C}$, $V_{IN} = 3.6\text{ V}$, $2 \times C_{IN} = 10\text{ }\mu\text{F}$, $C_{OUT} = 1\text{ }\mu\text{F}$, $L = 1\text{ }\mu\text{H}$, $R_X = 15\text{ k}\Omega$. Typ. values are at $25\text{ }^\circ\text{C}$, unless otherwise specified.

Table 6. Electrical characteristics

Symbol	Parameter	Test conditions	Min.	Typ.	Max.	Unit
V_{IN}	Input operating supply voltage	(1)	2.5		5.5	V
V_{PW_ON} RESET	Power ON reset threshold	V_{IN} rising		2.3		V
I_O	Output current adjustment range I_{FLASH}	Flash mode for $V_{IN}=2.5\text{V to }5.5\text{V}$; $V_{OUT}=10\text{V}$;	75		400	mA
	Output current adjustment range I_{TORCH}	Torch mode $V_{IN}=2.5\text{V to }5.5\text{V}$	15		120	
	Auxiliary LED output current adjustment range I_{AUXLED}	Ready mode, $V_{IN}=3.3\text{V to }5.5\text{V}$	0		20	
V_{OUT}	Regulated voltage range		V_{BAT}		10.2	V
ΔI_O	Output current variation	Flash mode	-10		10	%
I_Q	Quiescent current in standby mode	NTC_ON=0		0.6	1	μA
		NTC_ON=1		0.6	1	μA
	Quiescent current in Ready-mode	Aux LED=ON, Aux LED disconnected			5.5	mA
f_s	Frequency	$V_{IN}=2.7\text{V}$		1.8		MHz
ν	Efficiency of the chip itself (2)	$V_{IN}=3.2\text{ to }4.2\text{V}$, flash mode, $I_O=400\text{mA}$, $V_O=2 \times V_{FLED_max} + V_{LED} = 10\text{V}$		85		%
ν	Efficiency of the whole application (3)	$V_{IN}=3.2\text{ to }4.2\text{V}$, flash mode, $I_O=400\text{mA}$		79		%
OVP	Output over voltage protection	$V_{IN}= 5.5\text{V}$, No Load		11.6		V
OTP	Over temperature protection	$V_{IN}=5.5\text{V}$		140		$^\circ\text{C}$
OT _{HYST}	Over temperature hysteresis	$V_{IN}=5.5\text{V}$		20		$^\circ\text{C}$
V_{REF5}	NTC hot voltage threshold	Ready mode, $I_{NTC}=2\text{mA max}$		1.2		V
V_{REF4}	NTC warning voltage threshold	Ready mode, $I_{NTC}=2\text{mA max}$		0.56		V
ATN_V _{OL}	Low level ATN output logic signal	$I_{OL}=10\text{mA}$			0.2	V

Table 6. Electrical characteristics (continued)

Symbol	Parameter	Test conditions	Min.	Typ.	Max.	Unit
I_{OZ}	Output logic leakage current ATN	$V_{ATN} = 3.3V$			1	mA
V_{IL}	Low and high level input logic signals on SCL, SDA, TRIG, TEST	$V_{IN} = 2.7V$ to $5.5V$	0		0.4	V
V_{IH}			1.4		V_I	
T_{ON}	LED current rise time $I_{LED} = 0$ to $I_{LED} = \text{max}$			3		ms

1. Typical value, not production test.
2. Calculated as $(V_{OUT} * I_{LED}) / (V_{IN} * I_{IN})$
3. Calculated as $(V_{LED} * I_{LED}) / (V_{IN} * I_{IN})$

7 Detailed description

7.1 Introduction

The STCF05 is a synchronous boost converter, dedicated to power and control the current of power white LEDs in a camera cell phones. The device operates at a typical constant switching frequency of 1.8 MHz. It steps an input voltage ranging from 2.5 V to 5.5 V up to 10.2 V. I²C bus controls device operation and diagnostic. Torch current is adjustable from 15 mA to 120 mA; flash current is adjustable up to 400 mA; aux LED current can be adjusted from 0 to 20 mA. The device uses an external NTC to sense the temperature of the white LEDs. These NTC functions may not be needed in all applications, and in those cases the relevant external components can be omitted.

7.2 Boost converter

The STCF05 contains the 3-loop system of the PWM controller regulation and soft-start function. When the output voltage is lower than input voltage, the STCF05 is charging output by the internal current source with 120 mA typ. When the output voltage is higher than battery, the STCF05 automatically enable the boost converter with 3-loop regulation system. First loop is controlling the output current according the setting of the dimming register, second loop is regulating the output voltage to the stable value and third loop is regulating the voltage drop on the LED current source to reach high efficiency of the operation. (see [Figure 1: Block diagram](#)).

7.3 Logic pin description

7.3.1 SCL, SDA pins

These are the standard clock and data pins as defined in the I²C bus specification. External pull-up is required according to I²C bus specifications.

7.3.2 TRIG pin

This input pin is internally and-ed with the TRIG_EN bit to generate the internal signal that activates the flash operation. This gives to the user the possibility to accurately control the flash duration using a dedicated pin, avoiding the I²C bus latencies (hard-triggering). No internal pull-up nor pull-down is provided.

7.3.3 ATN pin

This output pin (open-drain, active LOW) is provided to better manage the information transfer from the STCF05 to the microprocessor. Because of the limitations of a single master I²C bus configuration, the microprocessor should regularly poll the STCF05 to verify if certain operations have been completed, or to check diagnostic information. Alternatively, the microprocessor can use the ATN pin to be advised that new data are available in the STAT_REG, thus avoiding continuous polling. The information can be read in the STAT_REG by a read operation via I²C that, besides, automatically resets the ATN pin. The STAT_REG bits affecting the ATN pin status are mapped in [Table 15](#). No internal pull-up is provided.

7.3.4 ADD pin

With this pin it is possible to select one of the 4 possible I²C slave addresses. Neither internal pull-up nor pull-down is provided. The pin has to be connected to either GND, V_I, SCL or SDA to select the desired I²C slave address (see [Table 7](#))

Table 7. Address table

ADD pin	A7	A6	A5	A4	A3	A2	A1	A0
GND	0	1	1	0	0	0	0	R/W
VBAT	0	1	1	0	0	0	1	R/W
SDA	0	1	1	0	0	1	0	R/W
SCL	0	1	1	0	0	1	1	R/W

7.3.5 TMSK pin

This pin can be used to implement the TX masking function. This function has effect for flash current settings higher than 100 mA (bit FDIM_3=1) only. Under this condition, when this pin is pulled high by the microprocessor, the current flowing in the LED is forced at 100 mA typ. Neither internal pull-up nor pull-down is provided. This pin must be externally wired to GND if TX masking function is not used.

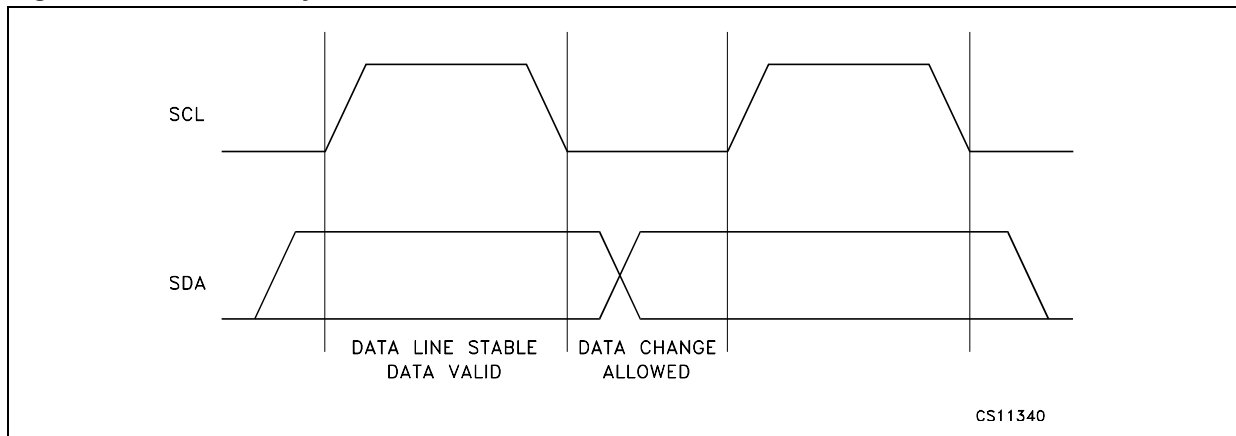
8 I²C bus interface

Data transmission from the main microprocessor to STCF05 and vice versa takes place through the 2 I²C bus interface wires, consisting of the two lines SDA and SCL (pull-up resistors to a positive supply voltage must be externally connected).

8.1 Data validity

As shown in [Figure 4](#), the data on the SDA line must be stable during the high period of the clock. The HIGH and LOW state of the data line can only change when the clock signal on the SCL line is LOW.

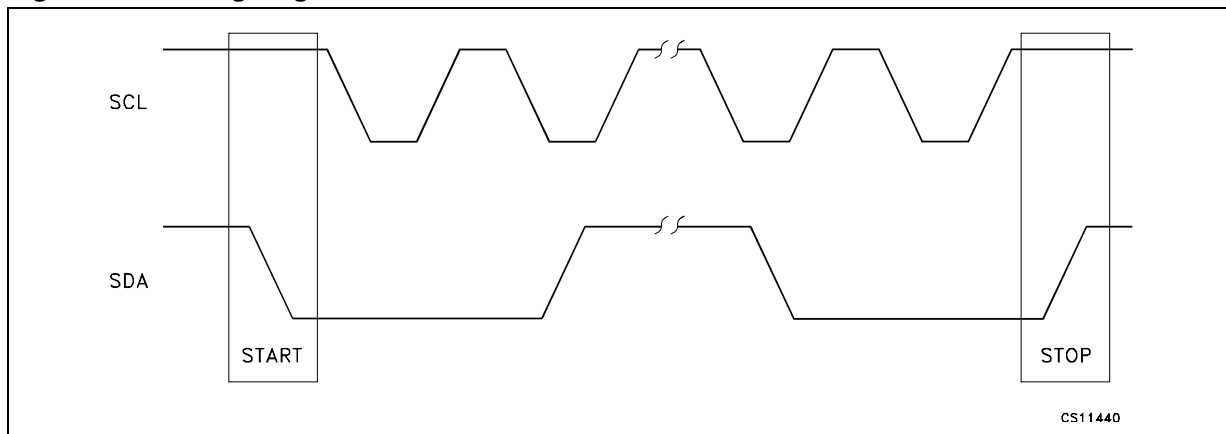
Figure 4. Data validity on the I²C bus



8.2 Start and stop conditions

Both DATA and CLOCK lines remain HIGH when the bus is not busy. As shown in [Figure 5](#) a start condition is a HIGH to LOW transition of the SDA line while SCL is HIGH. The stop condition is a LOW to HIGH transition of the SDA line while SCL is HIGH. A STOP condition must be sent before each START condition.

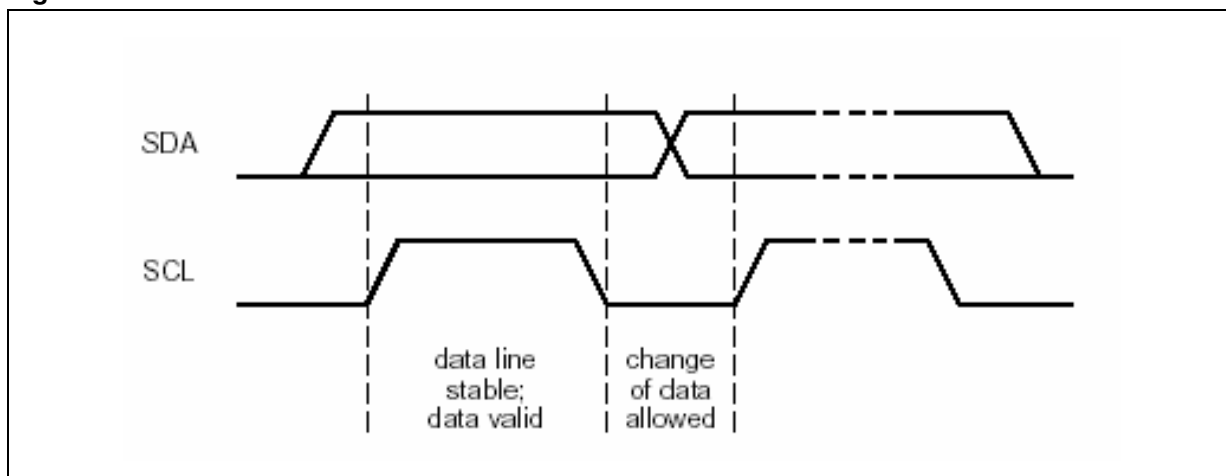
Figure 5. Timing diagram on I²C bus



8.3 Byte format

Every byte transferred to the SDA line must contain 8 bits. Each byte must be followed by an acknowledge bit. The MSB is transferred first. One data bit is transferred during each clock pulse. The data on the SDA line must remain stable during the HIGH period of the clock pulse. Any change in the SDA line at this time will be interpreted as a control signal.

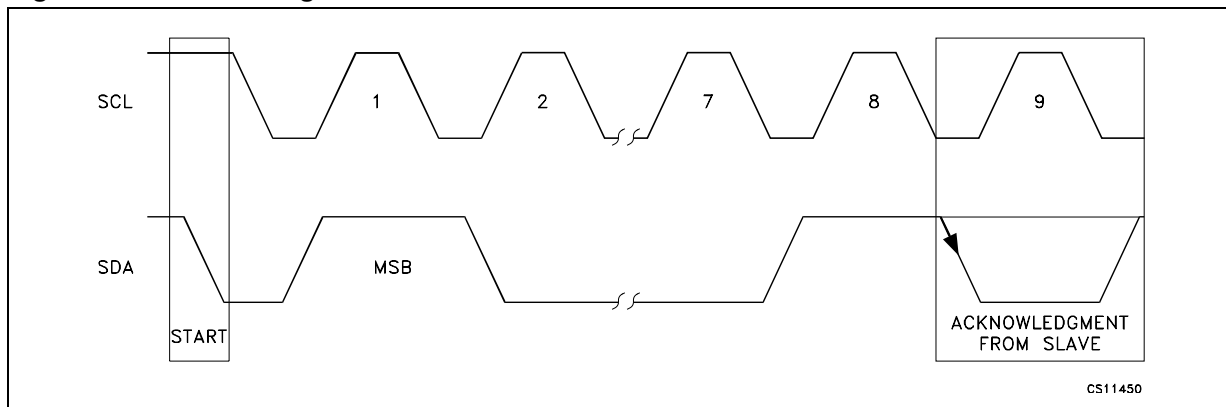
Figure 6. Bit transfer



8.4 Acknowledge

The master (microprocessor) puts a resistive HIGH level on the SDA line during the acknowledge clock pulse (see [Figure 7](#)). The peripheral (STCF05) that acknowledges has to pull-down (LOW) the SDA line during the acknowledge clock pulse, so that the SDA line is stable LOW during this clock pulse. The peripheral which has been addressed has to generate an acknowledge pulse after the reception of each byte, otherwise the SDA line remains at the HIGH level during the ninth clock pulse duration. In this case, the master transmitter can generate the STOP information in order to abort the transfer. The STCF05 won't generate the acknowledge if the V_I supply is below the undervoltage lockout threshold.

Figure 7. Acknowledge on I²C bus



8.5 Interface protocol

The interface protocol is composed of (Figure 5):

- A start condition (START)
- A Device address + R/W bit (read =1 / write =0)
- A Register address byte
- A sequence of data n* (1 byte + acknowledge)
- A stop condition (STOP)

The register address byte determines the first register in which the read or write operation takes place. When the read or write operation is finished, the register address is automatically incremented.

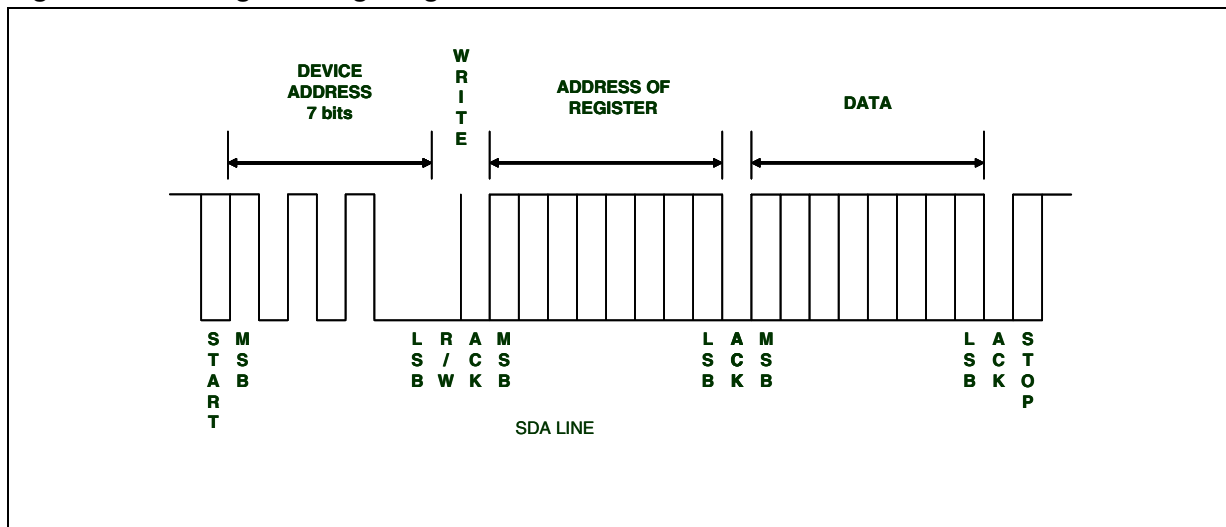
Table 8. Interface protocol

		Device address + R/W bit								Register address								Data											
		7	6	5	4	3	2	1	0	7	6	5	4	3	2	1	0	7	6	5	4	3	2	1	0				
S	M							L	R	A	M							L	A	M							L	A	S
T	S							S	W	C	S							S	C	S							S	C	T
A	B							B		K	B							B	K	B							B	K	O
R																													P
T																													

8.6 Writing to a single register

Writing to a single register starts with a START bit followed by the 7 bit device address of STCF05. The 8th bit is the R/W bit, which is 0 in this case. R/W = 1 means a reading operation. Then the master waits for an acknowledge from STCF05. Then the 8 bit address of register is sent to STCF05. It is also followed by an acknowledge pulse. The last transmitted byte is the data that is going to be written to the register. It is again followed by an acknowledge pulse from STCF05. The master then generates a STOP bit and the communication is over. See Figure 8 below.

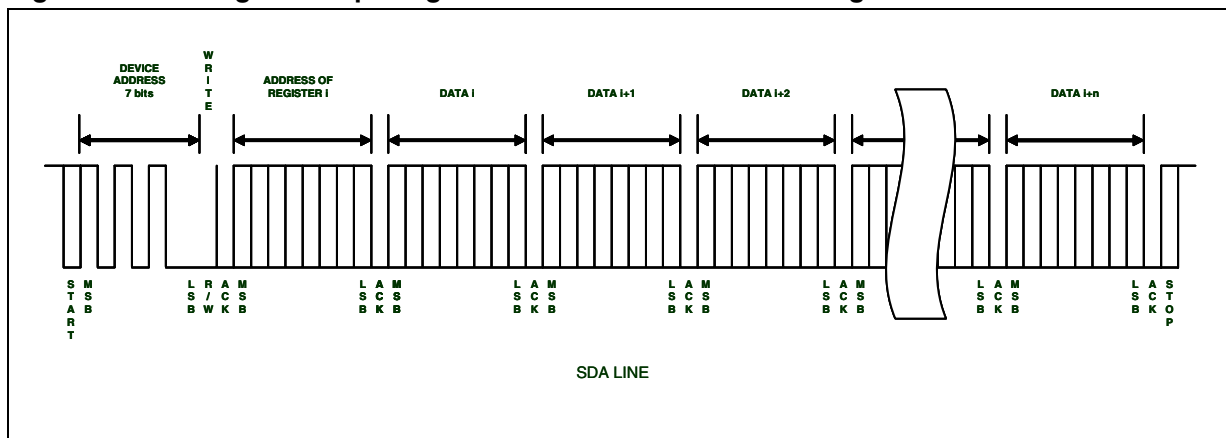
Figure 8. Writing to a single register



8.7 Writing to multiple registers with incremental addressing

It would be impractical to send several times the device address and the address of the register when writing to multiple registers. STCF05 supports writing to multiple registers with incremental addressing. When data is written to a register, the address register is automatically incremented, so the next data can be sent without sending the device address and the register address again. See [Figure 9](#) below.

Figure 9. Writing to multiple register with incremental addressing

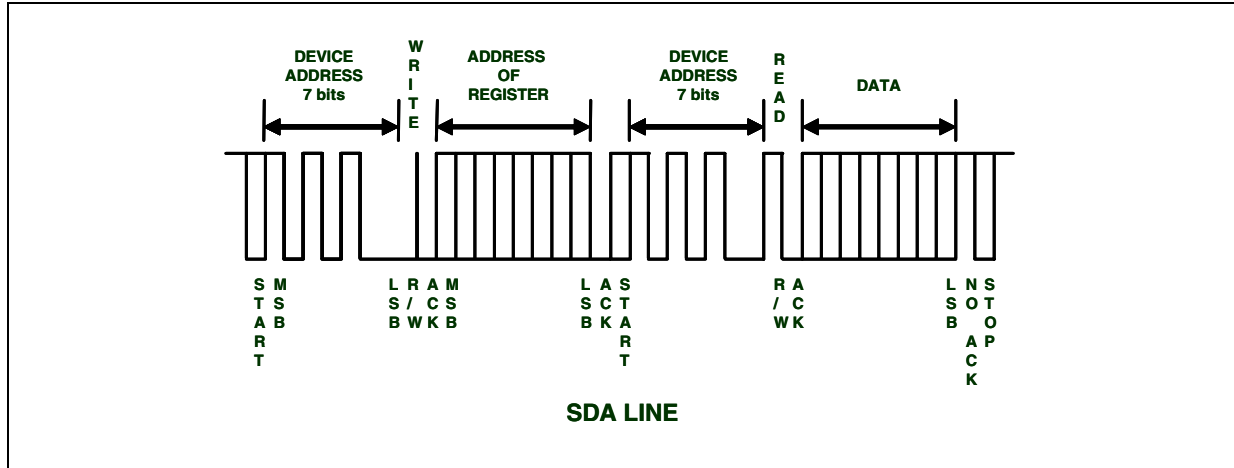


8.8 Reading from a single register

The reading operation starts with a START bit followed by the 7 bit device address of STCF05. The 8th bit is the R/W bit, which is 0 in this case. STCF05 confirms the receiving of the address + R/W bit by an acknowledge pulse. The address of the register which should be read is sent afterwards and confirmed again by an acknowledge pulse of STCF05 again. Then the master generates a START bit again and sends the device address followed by the R/W bit, which is 1 now. STCF05 confirms the receiving of the address + R/W bit by an

acknowledge pulse and starts to send the data to the master. No acknowledge pulse from the master is required after receiving the data. Then the master generates a STOP bit to terminate the communication. See [Figure 10](#).

Figure 10. Reading from a single register



8.9 Reading from multiple registers with incremental addressing

Reading from multiple registers starts in the same way like reading from a single register. As soon as the first register is read, the register address is automatically incremented. If the master generates an acknowledge pulse after receiving the data from the first register, then reading of the next register can start immediately without sending the device address and the register address again. The last acknowledge pulse before the STOP bit is not required. See [Figure 11](#).

Figure 11. Reading from multiple registers

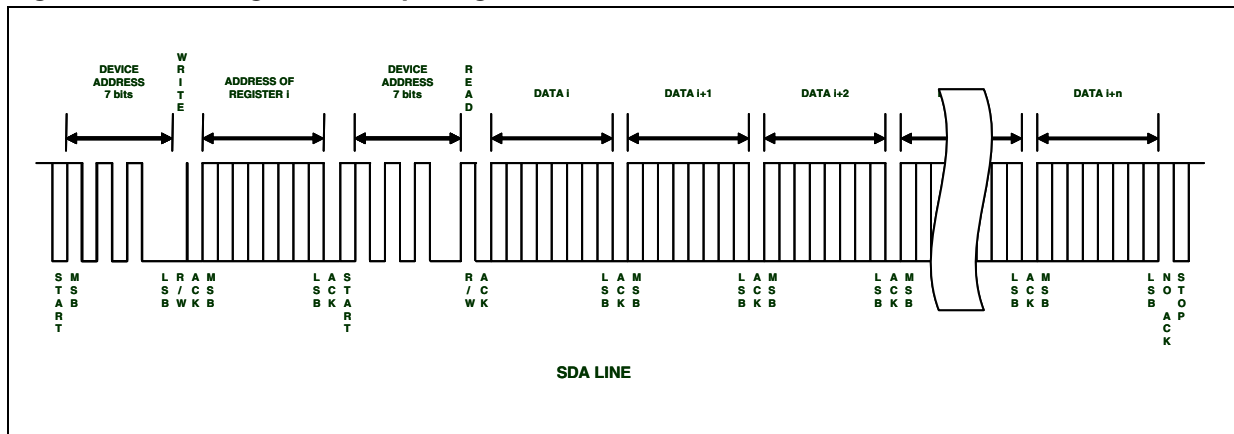


Table 9. I²C register mapping read function

Register name	SUB ADDRESS (hex)	Operation
CMD_REG	00	R / W
DIM_REG	01	R / W
AUX_REG	02	R / W
STAT_REG	03	R only

Table 10. Command register

CMD_REG (write mode)	MSB							LSB
SUB ADD=00	PWR_ON	TRIG_EN	TCH_ON	NTC_ON	FTIM_3	FTIM_2	FTIM_1	FTIM_0
Power ON RESET Value	0	0	0	0	0	0	0	0

Table 11. Dimming register

DIM_REG (write mode)	MSB							LSB
SUB ADD=01	N/A	TDIM_2	TDIM_1	TDIM_0	N/A	FDIM_2	FDIM_1	FDIM_0
Power ON, SHUTDOWN MODE RESET Value	0	0	0	0	0	0	0	0

9 Registers description

9.1 PWR_ON

When set, it activates all analog and power internal blocks including the NTC supporting circuit, and the device is ready to operate (ready mode). As long as PWR_ON=0, only the I²C interface is active, minimizing standby mode power consumption.

9.2 TRIG_EN

This bit is and-ed with the TRIG pin to generate the internal signal FL_ON that activates flash mode. By this way, both soft-triggering and hard-triggering of the flash are possible. If soft-triggering (through I²C) is chosen, the TRIG pin is not used and must be kept HIGH (VI). If hard-triggering is chosen, then the TRIG pin has to be connected to a microprocessor I/O devoted to Flash timing control, and the TRIG_EN bit must be set in advance. Both triggering modes can benefit of the internal flash time counter, which uses the TRIG_EN bit and can work either as a safety shut-down timer or as a flash duration timer. Flash mode can start only if PWR_ON=1. LED current is controlled by the value set by the FDIM_0~3 of the DIM_REG.

9.3 TCH_ON

When set from ready mode, the STCF05 enters torch mode. The LED current is controlled by the value set by the TDIM_0~3 of the DIM_REG.

9.4 NTC_ON

Ready mode activates the comparators that monitor the LED temperature. NTC-related blocks are always active regardless of this bit in the Torch mode and flash mode.

9.5 FTIM_0~3

This 4-bits register defines the maximum flash duration. It is intended to limit the energy dissipated by the LED to a maximum safe value or to leave to the STCF05 the control of the flash duration during normal operation. Values from 0~15 correspond to 0~1.5 s (100 ms steps). The timing accuracy is related to the internal oscillator frequency that clocks the flash time counter. Entering flash mode (either by soft or hard triggering) activates the flash time counter, which begins counting down from the value loaded in the F_TIM register. When the counter reaches zero, flash mode is stopped by resetting TRIG_EN bit, and simultaneously the ATN pin is set to true (LOW) to alert the microprocessor that the maximum time has been reached. FTIM value remains unaltered at the end of the count.

9.6 TDIM_0~2

These 3 bits define the LED current in Torch mode in 8 exponential steps. Max current value in Torch mode is 120 mA.

9.7 FDIM_0~2

These 3 bits define the LED current in flash mode in 8 exponential steps. Max current value in flash mode is 400 mA.

9.8 LDIM

Is an internal dimming register. It cannot be accessed by the user directly. The LDIM value is determined by the TDIM and FDIM registers. The total number of dimming steps is 13, because flash and torch current values are overlapping. See [Table 14](#) below.

Figure 12. Current intensity vs. dimming value

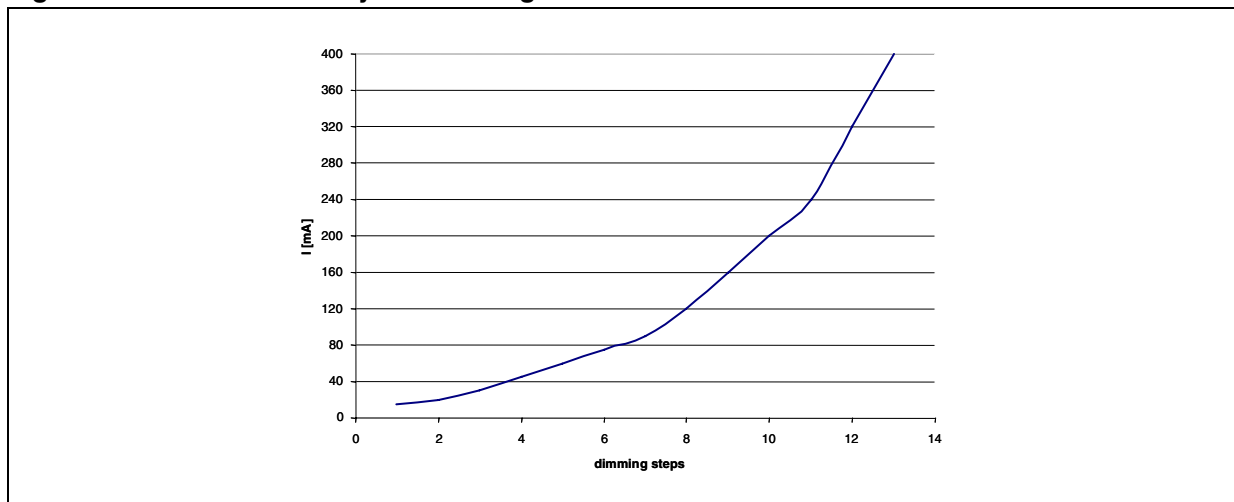


Table 12. Auxiliary register

AUX_REG (write mode)	MSB							LSB
SUB ADD=02	AUXI_3	AUXI_2	AUXI_1	AUXI_0	AUXT_3	AUXT_2	AUXT_1	AUXT_0
Power ON, SHUTDOWN MODE RESET Value	0	0	0	0	0	0	0	0

9.9 AUXI_0~3

This 4 bits register defines the AUX LED current from 0 to 20 mA. See AUX LED Dimming Table for reference. Loading any value between 1 and 15 also starts the AUX LED current source timer, if enabled. The AUX LED current source is active only in ready mode, and is deactivated in any other mode.

9.10 AUXT_0~3

This 4 bit register controls the timer that defines the ON-time of the AUX LED current source. ON-time starts when the AUXI register is loaded with any value other than zero, and stops after the time defined in the AUXT register. Values from 1 to 14 of the AUXT register correspond to an ON-time of the AUX LED ranging from 100 to 1400 ms in 100 ms steps. The value 15 puts the AUX LED to the continuous light mode. The activation/deactivation of the AUX LED current source is controlled using only the AUXI register.

Table 13. Auxiliary LED dimming table ⁽¹⁾

AUXI (hex)	0	1	2	3	4	5	6	7	8	9	A	B	C	D	E	F
AUX LED current [mA]	0.0	1.3	2.6	4.0	5.3	6.6	8.0	9.3	10.6	12.0	13.3	14.6	16.0	17.3	18.6	20.0

1. 20 mA output current is achievable only if the supply voltage is higher than 3.3 V.

Table 14. Torch mode and flash mode dimming registers settings

LDIM (hex)	0	1	2	3	4	5	6	7	8	9	A	B	C
TDIM (hex)	0	1	2	3	4	5	6	7					
FDIM(hex)						0	1	2	3	4	5	6	7
LED current [mA]	15	20	30	45	60	75	90	120	160	200	240	320	400
Internal step	1	2	3	4	5	6	7	8	9	10	11	12	13

Table 15. Status register

STAT_REG (read mode)	MSB							LSB
SUB ADD=03	LED_S	F_RUN	LED_O	NTC_W	NTC_H	OT_F	OC_F	VOUTOK_N
Power ON, SHUTDOWN MODE RESET Value	0	0	0	0	0	0	0	0

9.11 LED_S

This bit is set by the STCF05 when the voltage seen on the current mirror is above 1.2 V during a torch or flash operation. This condition can be caused by shorted LEDs, This bit is reset by the STCF05 following a read operation of the STAT_REG.

9.12 F_RUN

This bit is kept HIGH by the STCF05 during flash mode. By checking this bit, the microprocessor can verify if the flash mode is running or has been terminated by the time counter.

9.13 LED_O

This bit is set by the STCF05 when the voltage seen on the VOUT pin is $V_{REF2} > 11.6\text{ V}$ during a torch or flash operation. This condition can be caused by an open LED, indicating a LED failure. The device automatically goes into ready mode to avoid damage. Internal high frequency filtering avoids false detections. This bit is reset by the STCF05 following a read operation of the STAT_REG.

9.14 NTC_W

This bit is set HIGH by the STCF05 and the ATN pin is pulled down, when the voltage seen on the pin R_X exceeds $V_{REF4} = 0.56\text{ V}$. This threshold corresponds to a warning temperature value at the LED measured by the NTC. The device is still operating, but a warning is sent to the microprocessor. This bit is reset by the STCF05 following a read operation of the STAT_REG.

9.15 NTC_H

This bit is set HIGH by the STCF05 and the ATN pin is pulled down, when the voltage seen on the pin R_X exceeds V_{REF5} . This threshold (1.2 V) corresponds to an excess temperature value at the LED measured by the NTC. The device is put in ready mode to avoid damaging the LED. This bit is reset by the STCF05 following a read operation of the STAT_REG.

9.16 OT_F

This bit is set HIGH by the STCF05 and the ATN pin is pulled down, when the chip over-temperature protection ($\sim 140\text{ }^\circ\text{C}$) has put the device in ready mode. This bit is reset by the STCF05 following a read operation of the STAT_REG.

9.17 OC_F

This bit is set high by the STCF05 when the max peak inductor current threshold is reached (3 A programmable #). The OC_F bit is not latched into the STATUS reg. and the ATN pin remains HIGH.

9.18 VOUTOK_N

This bit is set by the STCF05. It is used to protect the device, if the output is shorted. The VOUTOK_N bit is set to HIGH at the start-up. Then a current generator of 20 mA charges the output capacitor for 360 μs typ. and it detects when the output capacitor reaches 100 mV. If this threshold is reached the bit is set to LOW. If the output is shorted to ground or the LED is shorted, this threshold is never reached: the bit stays HIGH, ATN pin is pulled down and the device will not start. This bit is reset following a read operation of the STAT_REG.

Figure 13. VOUTOK_N behavior

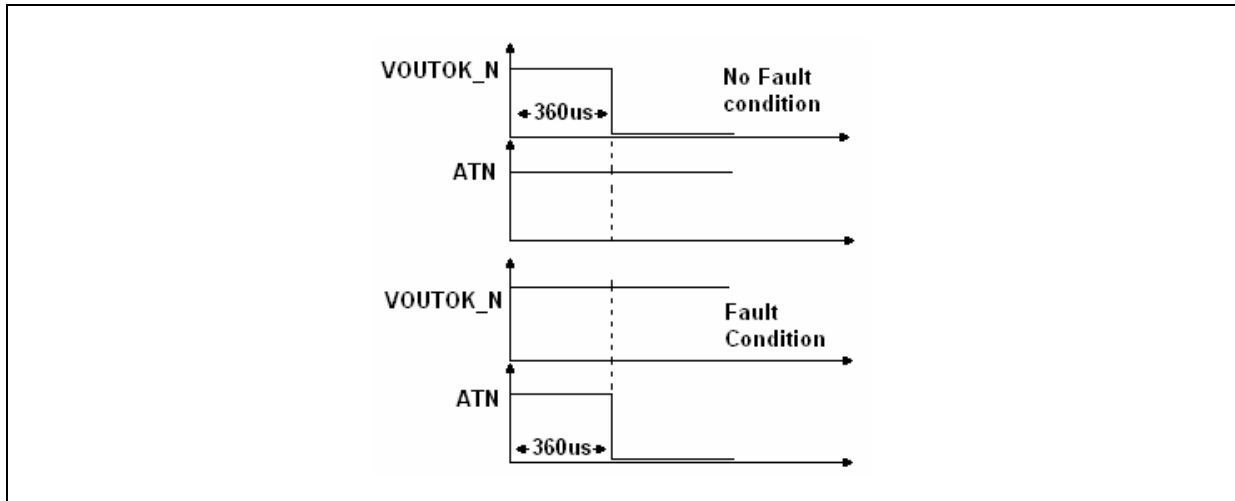


Table 16. Status register details

Bit name	LED_S	F_RUN (STAT_REG)	LED_O (STAT_REG)	NTC_W (STAT_REG)	NTC_H (STAT_REG)	OT_F (STAT_REG)	OC_F (STAT_REG)	VOUTOK_N (STAT_REG)
Default value	0	0	0	0	0	0	0	0
Latched (1)	YES	NO	YES	YES	YES	YES	NO	YES
Forces Ready mode when set	NO	NO	YES	NO	YES	YES	NO	YES
Sets ATN LOW when set	YES	NO	YES	YES	YES	YES	NO	YES

1. YES means that the bit is set by internal signals and is reset to default by an I²C read operation of STAT_REG. NO means that the bit is set and reset by internal signals in real-time.

10 Detailed description

10.1 Power ON reset

This mode is initiated by applying a supply voltage above the VPW_ON RESET threshold value. An internal timing ($\sim 1 \mu\text{s}$) defines the duration of this status. The logic blocks are powered, but the device doesn't respond to any input. The registers are reset to their default values, the ATN and SDA pins are in high impedance, the I²C slave address is internally set by reading the ADD pin configuration. After the internally defined time has elapsed, the STCF05 automatically enters the shutdown mode.

10.2 Shutdown, shutdown with NTC

In this mode only the I²C interface is alive, accepting I²C commands and register settings. The device enters this mode: automatically from Power ON reset status or by resetting the PWR_ON bit from other operation modes. Power consumption is at the minimum (1 μA typ) if NTC is not activated (NTC_ON=0). If PWR_ON and NTC_ON is set, the T1 is switched ON (see the block diagram), allowing the microprocessor to measure the LED temperature through its A/D converter.

10.3 Ready mode

In this mode all internal blocks are turned ON, but the DC-DC converter is disabled and the White LED is disconnected. The NTC circuit can be activated to monitor the temperature of the LED and I²C commands and register settings are allowed to be executed immediately. Only in this mode the auxiliary LED is operational and can be turned ON and set at the desired brightness using the AUX REGISTER.

The device enters this mode:

- from standby setting the PWR_ON bit;
- from flash operation by resetting the TRIG pin or the TRIG_EN bit or automatically from flash operation when the time counter reaches zero;
- from torch operation by resetting the TCH_ON bit.

The device automatically enters this mode also when an overload or an abnormal condition has been detected during flash or torch operation ([Table 16: Status register details](#)).

10.4 Single or multiple flash using external (microprocessor) temporization

To avoid the I²C bus time latency, it is recommended to use the dedicated TRIG pin to define the flash duration (hard-triggering). The TRIG_EN bit of CMD_REG should be set before starting each flash operation, because it could have been reset automatically in the previous flash operation. The flash duration is determined by the pulse length that drives the TRIG pin. As soon as the flash is activated, the system needs typically 1.2 ms to ramp up the output current on the power LED. The internal time counter will time-out flash operation and keep the LED dissipated energy within safe limits in case of software deadlock; FTIM register has to be set first, either in standby or in ready mode. Multiple flashes are possible

by strobing the TRIG pin. Time-out counter will cumulate every flash on-time until the defined time-out is reached, unless it is reloaded by updating the CMD_REG. After a single or multiple flash operations are timed-out, the device automatically goes into ready mode by resetting the TRIG_EN bit, and also resets the F_RUN bit. The ATN pin is pulled down to inform the microprocessor that the STAT_REG has been updated.

10.5 External (microprocessor) temporization using TRIG_EN bit

Even if it is possible, it is not recommended to use the TRIG_EN bit to start and stop the flash operation, because of I²C bus latencies: this would result in inaccurate flash timing. Nevertheless, if this operation mode is chosen, the TRIG pin has to be kept High (logic level or wired to VBAT), leaving the whole flash control to the I²C bus. Also in this operation mode the time counter will time-out flash operation and keep the energy dissipated by the LED within safe limits in case of SW deadlock.

10.6 Single flash using internal temporization

Flash triggering can be obtained either by TRIG pin (hard-triggering) or by I²C commands (soft-triggering). The first solution is recommended for an accurate start time, while the second is less accurate because of the I²C bus time latency. Stop time is defined by the STCF05 internal temporization and its accuracy is determined by the internal oscillator. For hard-triggering, it is necessary to set the TRIG_EN bit in advance. For soft-triggering, the TRIG pin has to be kept High (logic level or wired to VBAT) and the flash can be started by setting the FTIM and the TRIG_EN through I²C (both are located in the CMD_REG). There is a delay time between the moment the flash is triggered and when it appears. This delay is caused by the time necessary to charge the output capacitor up, which is around 1.2 ms depending on battery voltage and output current value. Once triggered, the flash operation will be stopped when the time counter reaches zero. As soon as the flash is finished, the F_RUN bit is reset, the ATN pin is pulled down for 11 μ s to inform the microprocessor that the STAT_REG has been updated and the device goes back to ready mode. If flash longer than the internal timer allows or a continuous flash is necessary, the FTIM must be reloaded through I²C bus every time, before the internal timer reaches zero. For example: To get a continuous flash, set FTIM to 1.5 s and every 1 s reload the CMD_REG.

10.7 Multiple flash using internal temporization

This operation has to be processed as a sequence of single flashes using internal temporization starting from hard or soft triggering. Since the TRIG_EN bit is reset at the end of each flash, it is necessary to reload the CMD_REG to start the next one.

11 Typical performance characteristics

Figure 14. Efficiency in flash mode

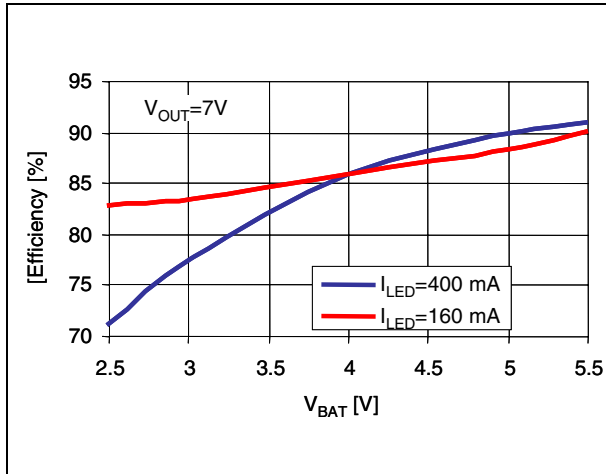


Figure 15. Efficiency in torch mode

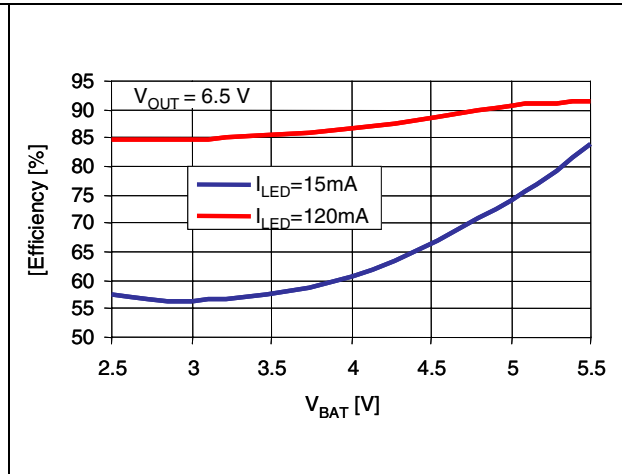


Figure 16. I_LED vs. V_BAT at different temp.

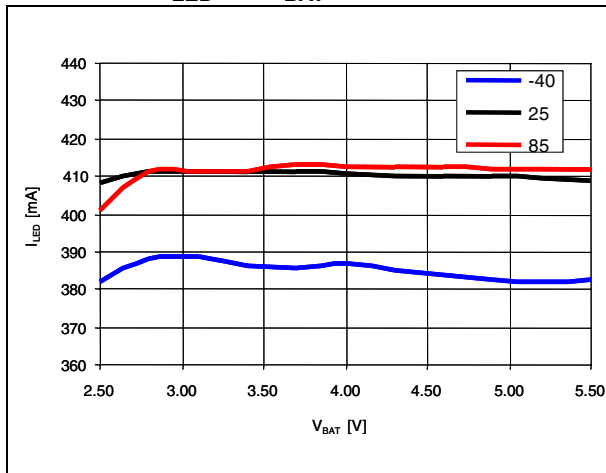


Figure 17. I_LED vs. V_OUT

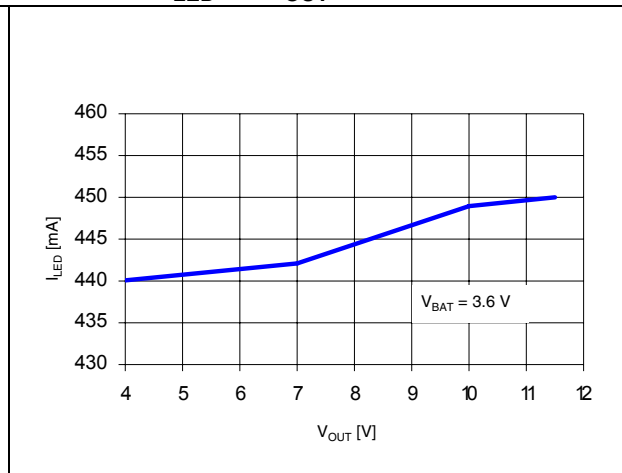


Figure 18. Input current vs. input voltage

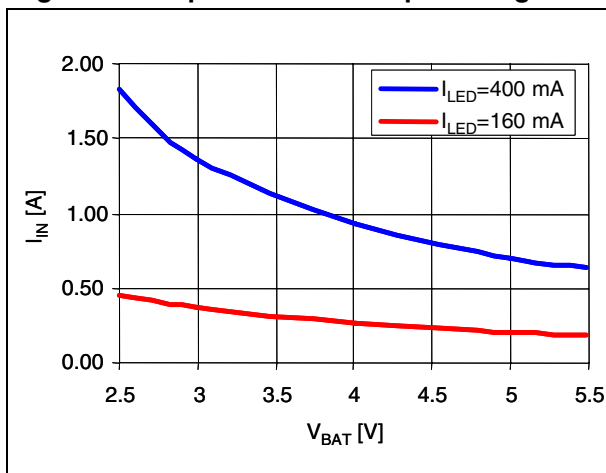
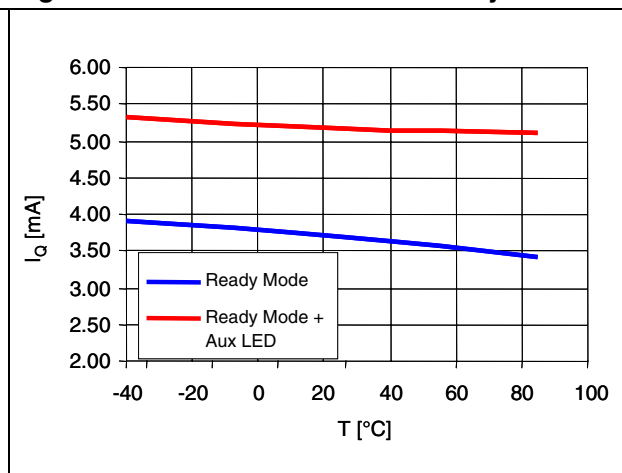


Figure 19. Quiescent current in ready mode

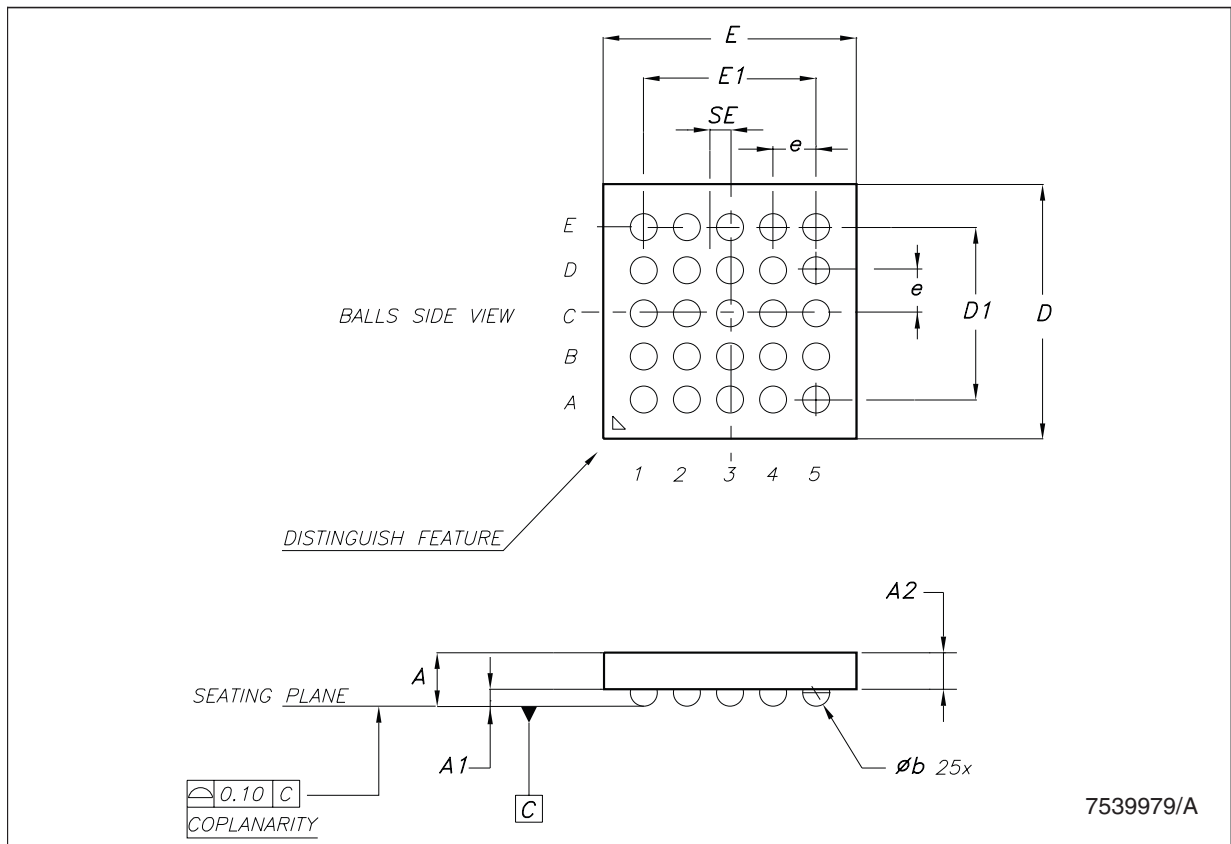


12 Package mechanical data

In order to meet environmental requirements, ST offers these devices in different grades of ECOPACK[®] packages, depending on their level of environmental compliance. ECOPACK[®] specifications, grade definitions and product status are available at: www.st.com. ECOPACK is an ST trademark.

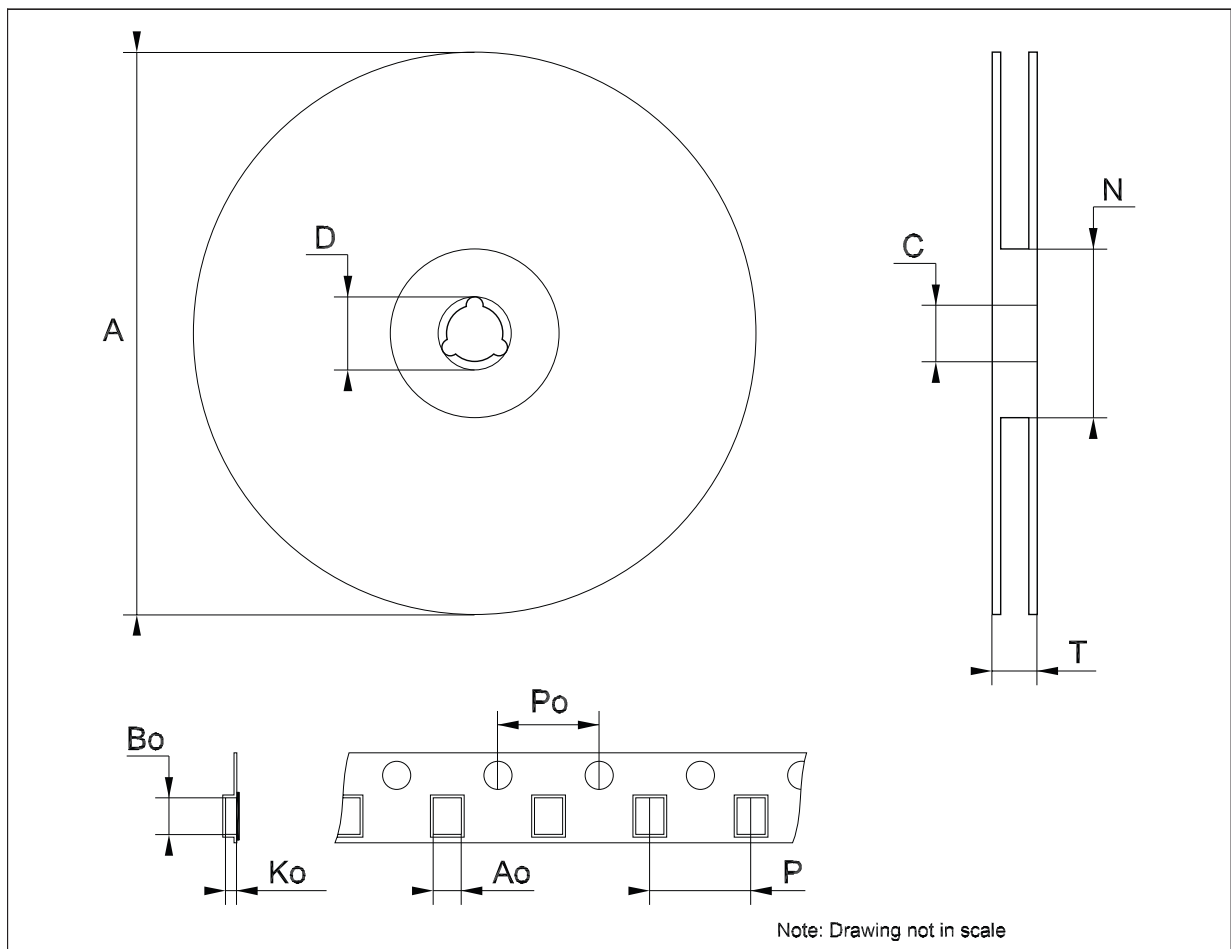
TFBGA25 mechanical data

Dim.	mm.			mils.		
	Min.	Typ.	Max.	Min.	Typ.	Max.
A	1.0	1.1	1.16	39.4	43.3	45.7
A1			0.25			9.8
A2	0.78		0.86	30.7		33.9
b	0.25	0.30	0.35	9.8	11.8	13.8
D	2.9	3.0	3.1	114.2	118.1	122.0
D1		2			78.8	
E	2.9	3.0	3.1	114.2	118.1	122.0
E1		2			78.8	
e		0.5			19.7	
SE		0.25			9.8	



Tape & reel TFBGA25 mechanical data

Dim.	mm.			inch.		
	Min.	Typ.	Max.	Min.	Typ.	Max.
A			330			12.992
C	12.8		13.2	0.504		0.519
D	20.2			0.795		
N	60			2.362		
T			14.4			0.567
Ao		3.3			0.130	
Bo		3.3			0.130	
Ko		1.60			0.063	
Po	3.9		4.1	0.153		0.161
P	7.9		8.1	0.311		0.319



13 Revision history

Table 17. Document revision history

Date	Revision	Changes
09-Dec-2008	1	Initial release.
30-Mar-2009	2	Modified <i>Figure 17</i> and <i>Figure 19 on page 28</i> .
26-Apr-2010	3	Modified <i>Figure 18 on page 28</i> .
28-Jul-2010	4	Modified <i>Table 3 on page 9</i> .

Please Read Carefully:

Information in this document is provided solely in connection with ST products. STMicroelectronics NV and its subsidiaries ("ST") reserve the right to make changes, corrections, modifications or improvements, to this document, and the products and services described herein at any time, without notice.

All ST products are sold pursuant to ST's terms and conditions of sale.

Purchasers are solely responsible for the choice, selection and use of the ST products and services described herein, and ST assumes no liability whatsoever relating to the choice, selection or use of the ST products and services described herein.

No license, express or implied, by estoppel or otherwise, to any intellectual property rights is granted under this document. If any part of this document refers to any third party products or services it shall not be deemed a license grant by ST for the use of such third party products or services, or any intellectual property contained therein or considered as a warranty covering the use in any manner whatsoever of such third party products or services or any intellectual property contained therein.

UNLESS OTHERWISE SET FORTH IN ST'S TERMS AND CONDITIONS OF SALE ST DISCLAIMS ANY EXPRESS OR IMPLIED WARRANTY WITH RESPECT TO THE USE AND/OR SALE OF ST PRODUCTS INCLUDING WITHOUT LIMITATION IMPLIED WARRANTIES OF MERCHANTABILITY, FITNESS FOR A PARTICULAR PURPOSE (AND THEIR EQUIVALENTS UNDER THE LAWS OF ANY JURISDICTION), OR INFRINGEMENT OF ANY PATENT, COPYRIGHT OR OTHER INTELLECTUAL PROPERTY RIGHT.

UNLESS EXPRESSLY APPROVED IN WRITING BY AN AUTHORIZED ST REPRESENTATIVE, ST PRODUCTS ARE NOT RECOMMENDED, AUTHORIZED OR WARRANTED FOR USE IN MILITARY, AIR CRAFT, SPACE, LIFE SAVING, OR LIFE SUSTAINING APPLICATIONS, NOR IN PRODUCTS OR SYSTEMS WHERE FAILURE OR MALFUNCTION MAY RESULT IN PERSONAL INJURY, DEATH, OR SEVERE PROPERTY OR ENVIRONMENTAL DAMAGE. ST PRODUCTS WHICH ARE NOT SPECIFIED AS "AUTOMOTIVE GRADE" MAY ONLY BE USED IN AUTOMOTIVE APPLICATIONS AT USER'S OWN RISK.

Resale of ST products with provisions different from the statements and/or technical features set forth in this document shall immediately void any warranty granted by ST for the ST product or service described herein and shall not create or extend in any manner whatsoever, any liability of ST.

ST and the ST logo are trademarks or registered trademarks of ST in various countries.

Information in this document supersedes and replaces all information previously supplied.

The ST logo is a registered trademark of STMicroelectronics. All other names are the property of their respective owners.

© 2010 STMicroelectronics - All rights reserved

STMicroelectronics group of companies

Australia - Belgium - Brazil - Canada - China - Czech Republic - Finland - France - Germany - Hong Kong - India - Israel - Italy - Japan - Malaysia - Malta - Morocco - Philippines - Singapore - Spain - Sweden - Switzerland - United Kingdom - United States of America

www.st.com