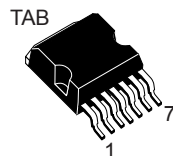
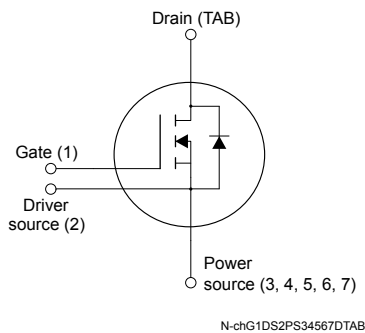



## Automotive-grade silicon carbide Power MOSFET, 1200 V, 33 A, 75 mΩ (typ., $T_J = 25\text{ °C}$ ) in an H<sup>2</sup>PAK-7 package


**H<sup>2</sup>PAK-7**

**Product status link**
[SCTH40N120G2V7AG](#)
**Product summary**

<b>Order code</b>	SCTH40N120G2V7AG
<b>Marking</b>	SCT40N120G2VAG
<b>Package</b>	H <sup>2</sup> PAK-7
<b>Packing</b>	Tape and reel

### Features

Order code	$V_{DS}$	$R_{DS(on)}$ max.	$I_D$
SCTH40N120G2V7AG	1200 V	105 mΩ	33 A

- AEC-Q101 qualified 
- Very high operating junction temperature capability ( $T_J = 175\text{ °C}$ )
- Very fast and robust intrinsic body diode
- Extremely low gate charge and input capacitance

### Applications

- Charger
- Power supply for renewable energy systems
- High frequency DC-DC converters

### Description

This silicon carbide Power MOSFET device has been developed using ST's advanced and innovative 2<sup>nd</sup> generation SiC MOSFET technology. The device features remarkably low on-resistance per unit area and very good switching performance.

# 1 Electrical ratings

**Table 1. Absolute maximum ratings**

Symbol	Parameter	Value	Unit
$V_{DS}$	Drain-source voltage	1200	V
$V_{GS}$	Gate-source voltage	-10 to 22	V
	Gate-source voltage (recommended operational values)	-5 to 18	
$I_D$	Drain current (continuous) at $T_C = 25\text{ °C}$	33	A
	Drain current (continuous) at $T_C = 100\text{ °C}$	23	
$I_D^{(1)}$	Drain current (pulsed)	92	A
$P_{TOT}$	Total power dissipation at $T_C = 25\text{ °C}$	250	W
$T_{stg}$	Storage temperature range	-55 to 175	°C
$T_J$	Operating junction temperature range		°C

1. Pulse width is limited by safe operating area.

**Table 2. Thermal data**

Symbol	Parameter	Value	Unit
$R_{thj-case}$	Thermal resistance junction-case	0.6	°C/W
$R_{thj-amb}$	Thermal resistance junction-ambient	60	°C/W

## 2 Electrical characteristics

( $T_{CASE} = 25\text{ °C}$  unless otherwise specified)

**Table 3. On/off states**

Symbol	Parameter	Test conditions	Min.	Typ.	Max.	Unit
$V_{(BR)DSS}$	Drain-source breakdown voltage	$V_{GS} = 0\text{ V}$ , $I_D = 1\text{ mA}$	1200			V
$I_{DSS}$	Zero gate voltage drain current	$V_{GS} = 0\text{ V}$ , $V_{DS} = 1200\text{ V}$			10	$\mu\text{A}$
		$V_{GS} = 0\text{ V}$ , $V_{DS} = 1200\text{ V}$ , $T_J = 150\text{ °C}$ (1)		10		
$I_{GSS}$	Gate-body leakage current	$V_{DS} = 0\text{ V}$ , $V_{GS} = -10\text{ to }22\text{ V}$			$\pm 100$	nA
$V_{GS(th)}$	Gate threshold voltage	$V_{DS} = V_{GS}$ , $I_D = 1\text{ mA}$	1.9	3.2	5	V
$R_{DS(on)}$	Static drain-source on-resistance	$V_{GS} = 18\text{ V}$ , $I_D = 20\text{ A}$		75	105	m $\Omega$
		$V_{GS} = 18\text{ V}$ , $I_D = 20\text{ A}$ , $T_J = 175\text{ °C}$		167		

1. Defined by design, not subject to production test.

**Table 4. Dynamic**

Symbol	Parameter	Test conditions	Min.	Typ.	Max.	Unit
$C_{iss}$	Input capacitance	$V_{DS} = 800\text{ V}$ , $f = 1\text{ MHz}$ , $V_{GS} = 0\text{ V}$	-	1230	-	pF
$C_{oss}$	Output capacitance		-	56	-	pF
$C_{rss}$	Reverse transfer capacitance		-	15	-	pF
$Q_g$	Total gate charge	$V_{DD} = 800\text{ V}$ , $V_{GS} = -5\text{ to }18\text{ V}$ , $I_D = 20\text{ A}$	-	63	-	nC
$Q_{gs}$	Gate-source charge		-	15	-	nC
$Q_{gd}$	Gate-drain charge		-	20	-	nC
$R_g$	Gate input resistance	$f = 1\text{ MHz}$ , $I_D = 0\text{ A}$	-	1	-	$\Omega$

**Table 5. Switching energy (inductive load)**

Symbol	Parameter	Test conditions	Min.	Typ.	Max.	Unit
$E_{on}$	Turn-on switching energy	$V_{DD} = 800\text{ V}$ , $I_D = 20\text{ A}$	-	200	-	$\mu\text{J}$
$E_{off}$	Turn-off switching energy	$R_G = 4.5\text{ }\Omega$ , $V_{GS} = -5\text{ V to }18\text{ V}$	-	77	-	$\mu\text{J}$

**Table 6. Switching times**

Symbol	Parameter	Test conditions	Min.	Typ.	Max.	Unit
$t_{d(on)}$	Turn-on delay time	$V_{DD} = 800\text{ V}$ , $I_D = 20\text{ A}$ , $R_G = 4.5\ \Omega$ , $V_{GS} = -5\text{ to }18\text{ V}$	-	11	-	ns
$t_r$	Rise time		-	5	-	
$t_{d(off)}$	Turn-off delay time		-	18	-	
$t_f$	Fall time		-	13	-	

**Table 7. Reverse SiC diode characteristics**

Symbol	Parameter	Test conditions	Min.	Typ.	Max.	Unit
$V_{SD}$	Diode forward voltage	$I_F = 20\text{ A}$ , $V_{GS} = 0\text{ V}$	-	3.5	-	V
$t_{rr}$	Reverse recovery time	$I_{SD} = 20\text{ A}$ , $di/dt = 2000\text{ A}/\mu\text{s}$ , $V_{DD} = 800\text{ V}$	-	10	-	ns
$Q_{rr}$	Reverse recovery charge		-	132	-	nC
$I_{RRM}$	Reverse recovery current		-	20	-	A

## 2.1 Electrical characteristics (curves)

Figure 1. Safe operating area

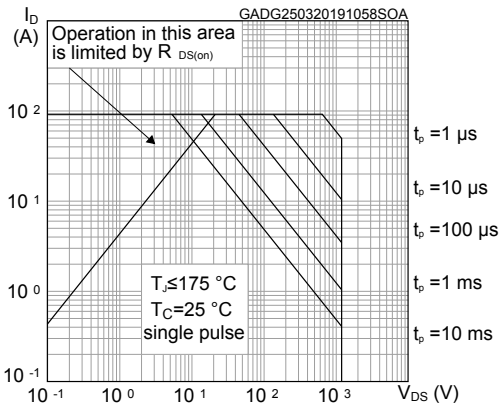


Figure 2. Thermal impedance

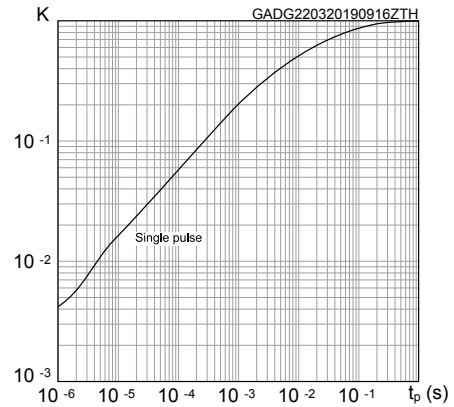


Figure 3. Output characteristics ( $T_J = -50^\circ C$ )

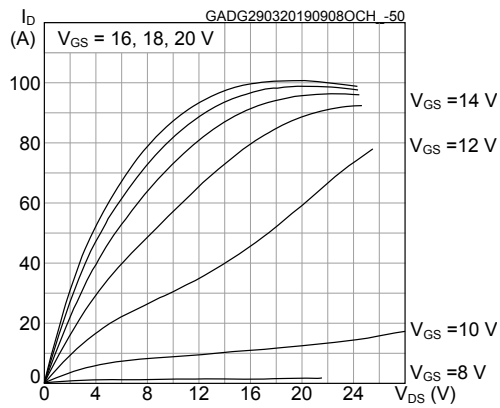


Figure 4. Output characteristics ( $T_J = 25^\circ C$ )

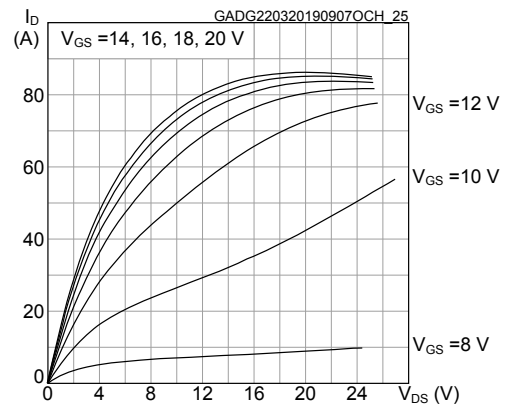


Figure 5. Output characteristics ( $T_J = 175^\circ C$ )

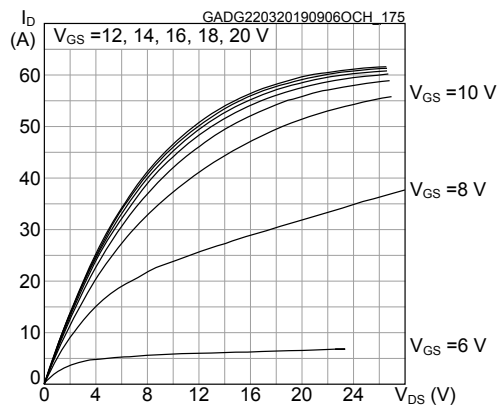


Figure 6. Transfer characteristics

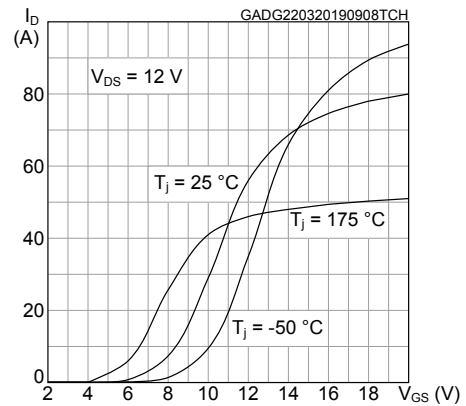


Figure 7. Power total dissipation

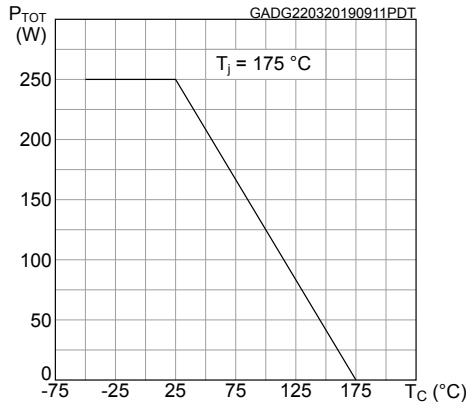


Figure 8. Gate charge vs gate-source voltage

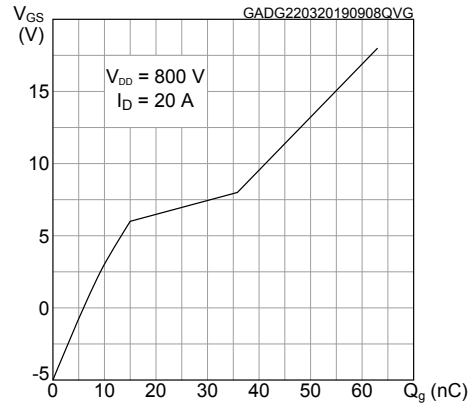


Figure 9. Capacitance variations

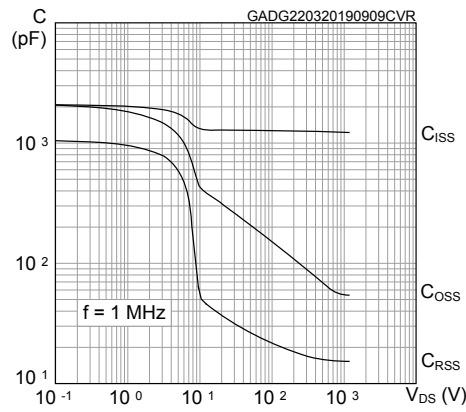


Figure 10. Switching energy vs. drain current

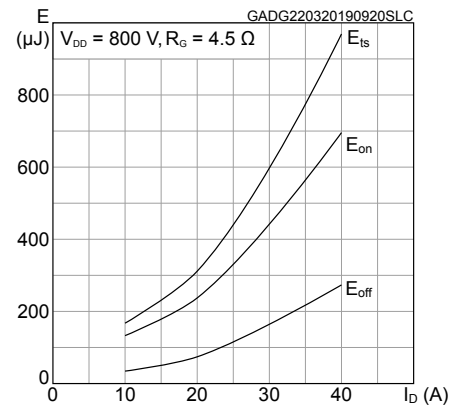


Figure 11. Switching energy vs. junction temperature

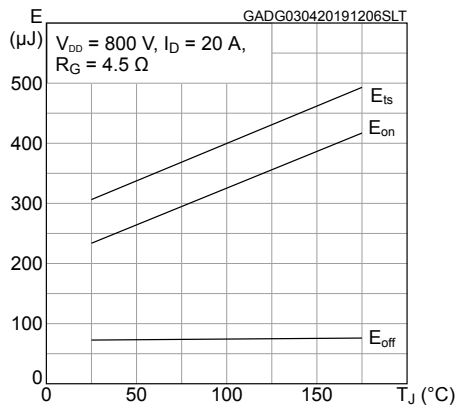
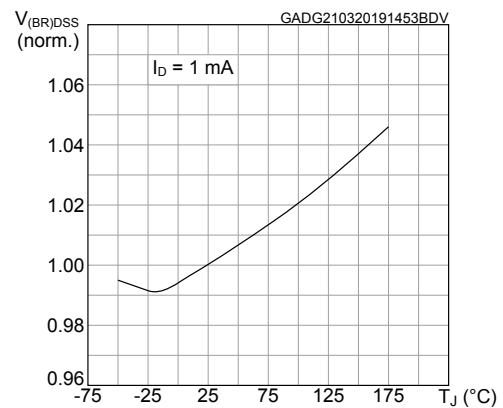
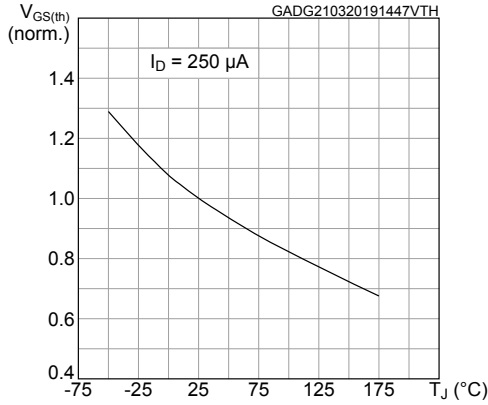


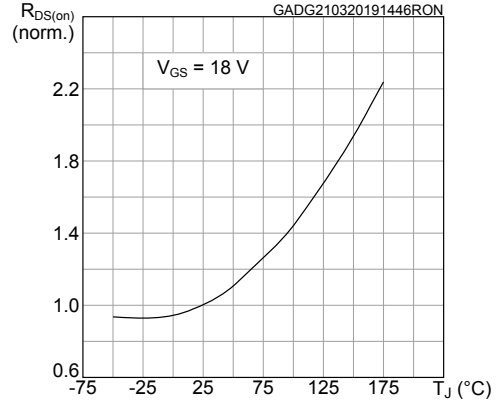
Figure 12. Normalized  $V_{(BR)DSS}$  vs. temperature



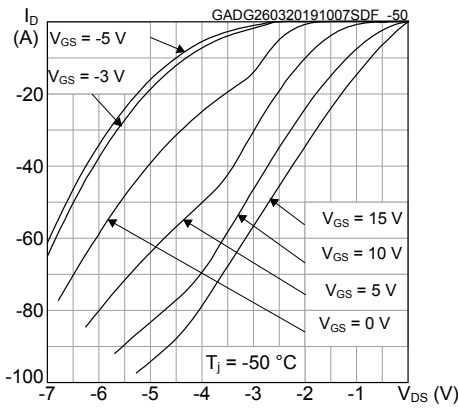
**Figure 13. Normalized gate threshold voltage vs. temperature**



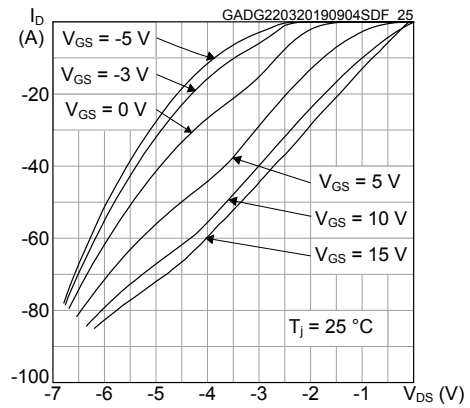
**Figure 14. Normalized on-resistance vs. temperature**



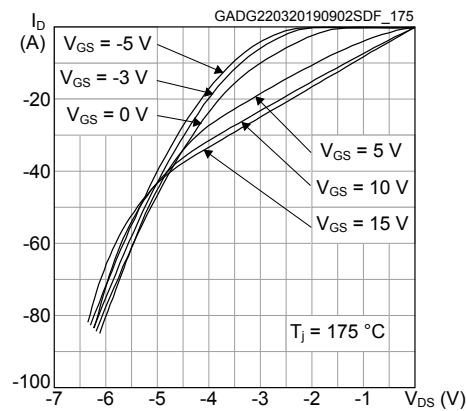
**Figure 15. Reverse conduction characteristics (T<sub>J</sub> = -50 °C)**



**Figure 16. Reverse conduction characteristics (T<sub>J</sub> = 25 °C)**



**Figure 17. Reverse conduction characteristics (T<sub>J</sub> = 175 °C)**

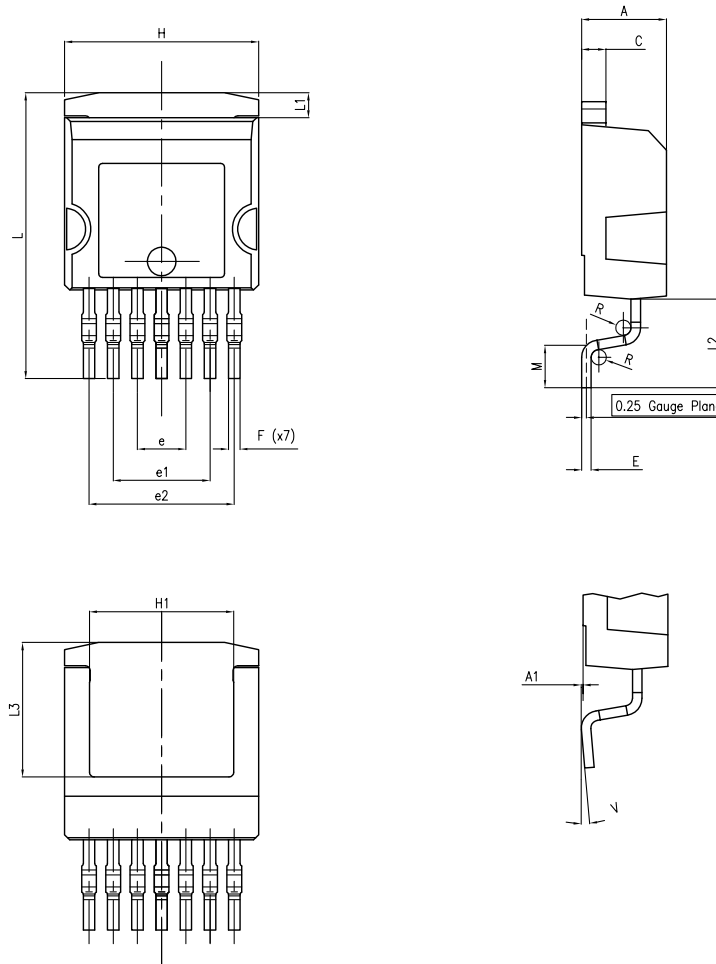


### 3 Package information

In order to meet environmental requirements, ST offers these devices in different grades of **ECOPACK** packages, depending on their level of environmental compliance. ECOPACK specifications, grade definitions and product status are available at: [www.st.com](http://www.st.com). ECOPACK is an ST trademark.

#### 3.1 H<sup>2</sup>PAK-7 package information

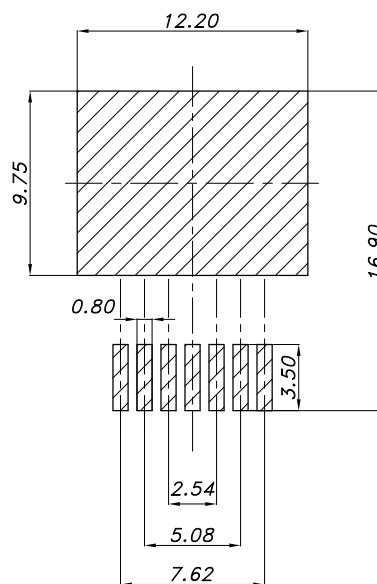
Figure 18. H<sup>2</sup>PAK-7 package outline





**Table 8. H<sup>2</sup>PAK-7 package mechanical data**

Dim.	mm	
	Min.	Max.
A	4.30	4.80
A1	0.03	0.20
C	1.17	1.37
e	2.34	2.74
e1	4.88	5.28
e2	7.42	7.82
E	0.45	0.60
F	0.50	0.70
H	10.00	10.40
H1	7.40	7.60
L	14.75	15.25
L1	1.27	1.40
L2	4.35	4.95
L3	6.85	7.25
M	1.90	2.50
R	0.20	0.60
V	0°	8°

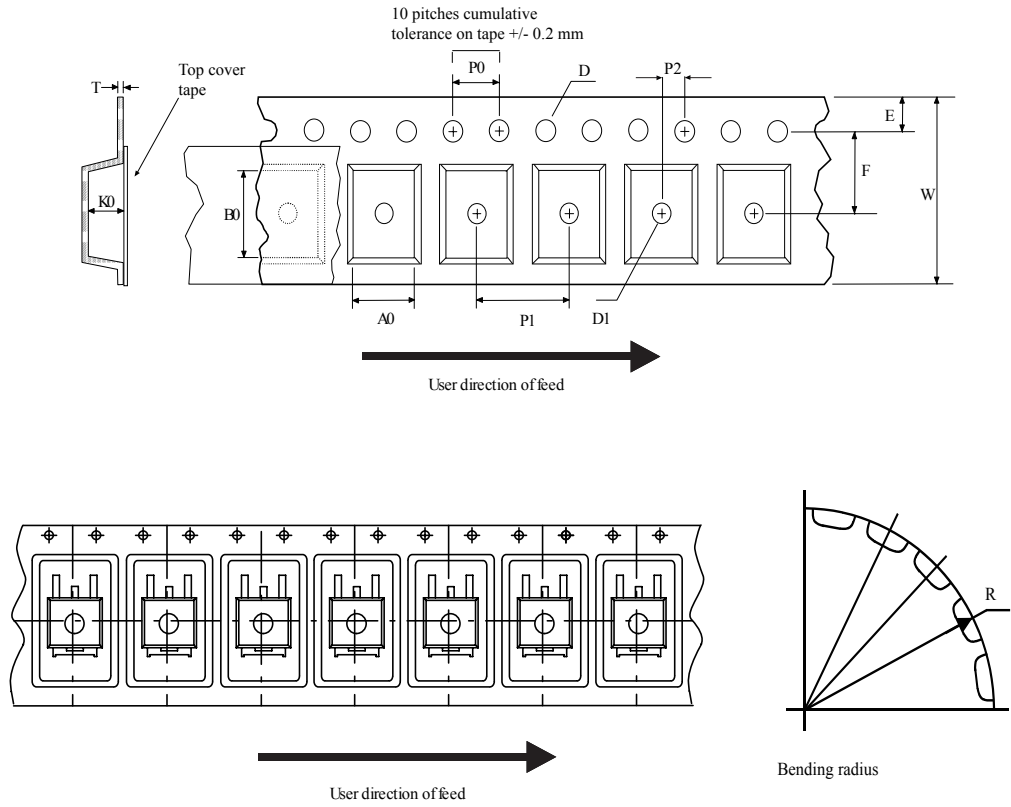
**Figure 19. H<sup>2</sup>PAK-7 recommended footprint**


footprint\_DM00249216\_4

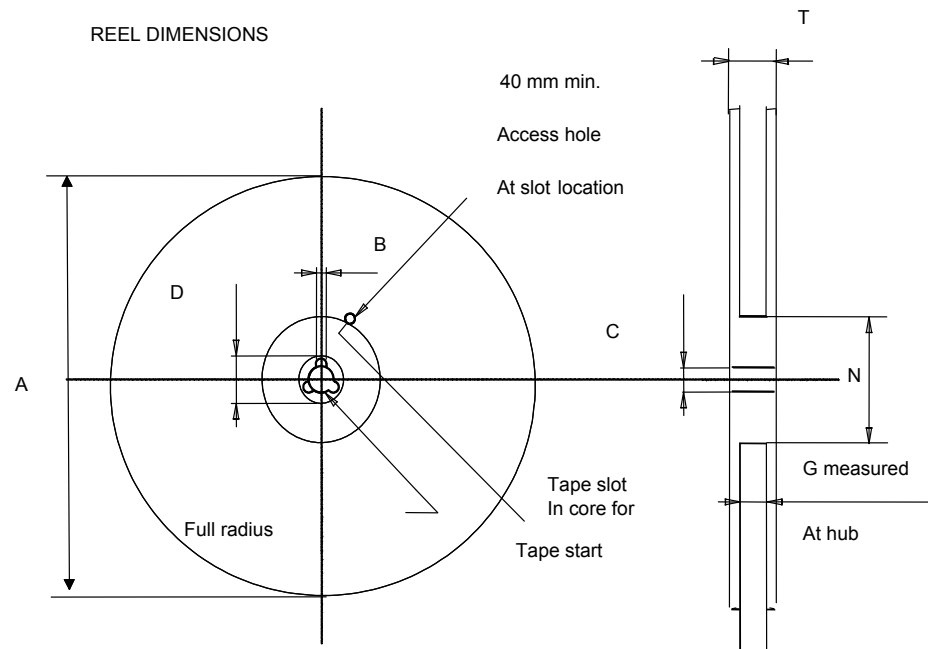
*Note:* Dimensions are in mm.

### 3.2 Packing information

Figure 20. Tape outline



AM08852v2

**Figure 21. Reel outline**

**Table 9. Tape and reel mechanical data**

Dim.	Tape		Dim.	Reel	
	mm			mm	
	Min.	Max.		Min.	Max.
A0	10.5	10.7	A		330
B0	15.7	15.9	B	1.5	
D	1.5	1.6	C	12.8	13.2
D1	1.59	1.61	D	20.2	
E	1.65	1.85	G	24.4	26.4
F	11.4	11.6	N	100	
K0	4.8	5.0	T		30.4
P0	3.9	4.1			
P1	11.9	12.1	Base quantity		1000
P2	1.9	2.1	Bulk quantity		1000
R	50				
T	0.25	0.35			
W	23.7	24.3			

## Revision history

**Table 10. Document revision history**

Date	Version	Changes
01-Apr-2019	1	First release.

## Contents

<b>1</b>	<b>Electrical ratings</b> .....	<b>2</b>
<b>2</b>	<b>Electrical characteristics</b> .....	<b>3</b>
<b>2.1</b>	Electrical characteristics (curves) .....	5
<b>3</b>	<b>Package information</b> .....	<b>8</b>
<b>3.1</b>	H <sup>2</sup> PAK-7 package information .....	8
<b>3.2</b>	Packing information .....	9
	<b>Revision history</b> .....	<b>12</b>

**IMPORTANT NOTICE – PLEASE READ CAREFULLY**

STMicroelectronics NV and its subsidiaries (“ST”) reserve the right to make changes, corrections, enhancements, modifications, and improvements to ST products and/or to this document at any time without notice. Purchasers should obtain the latest relevant information on ST products before placing orders. ST products are sold pursuant to ST’s terms and conditions of sale in place at the time of order acknowledgement.

Purchasers are solely responsible for the choice, selection, and use of ST products and ST assumes no liability for application assistance or the design of Purchasers’ products.

No license, express or implied, to any intellectual property right is granted by ST herein.

Resale of ST products with provisions different from the information set forth herein shall void any warranty granted by ST for such product.

ST and the ST logo are trademarks of ST. For additional information about ST trademarks, please refer to [www.st.com/trademarks](http://www.st.com/trademarks). All other product or service names are the property of their respective owners.

Information in this document supersedes and replaces information previously supplied in any prior versions of this document.

© 2019 STMicroelectronics – All rights reserved