



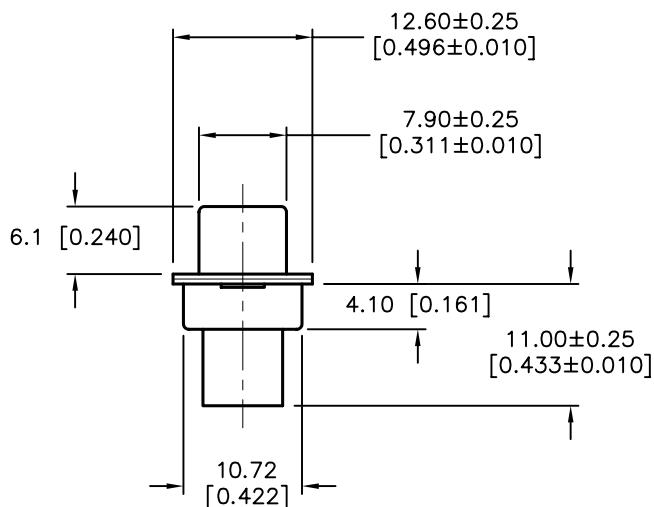
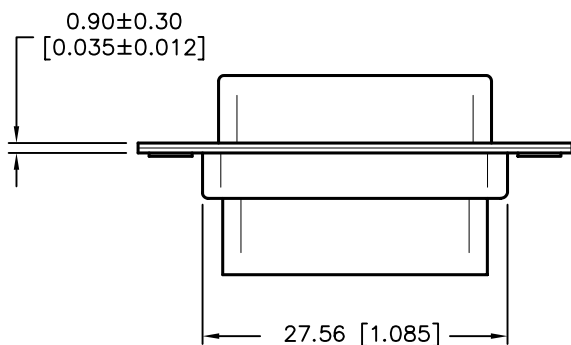
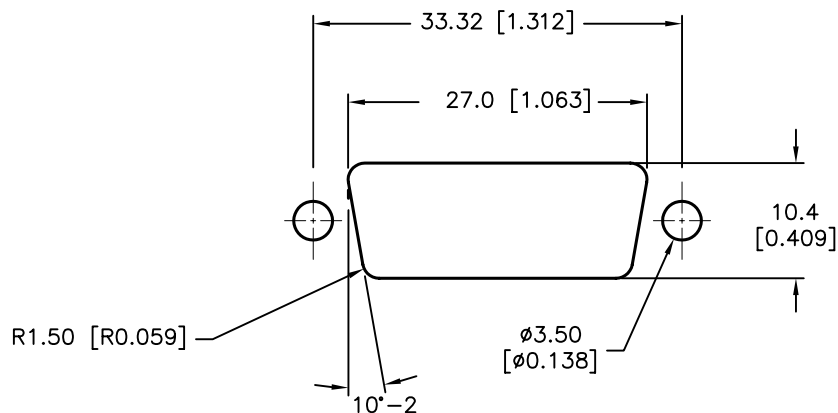
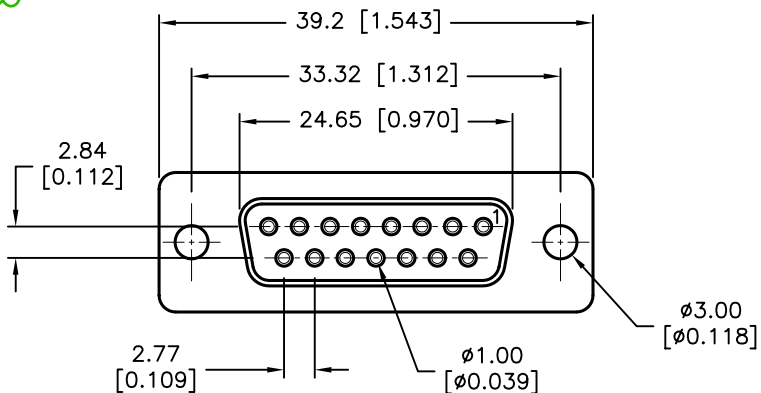
ALL RIGHTS RESERVED. NO PORTION OF THIS PUBLICATION, WHETHER IN WHOLE OR IN PART CAN BE REPRODUCED WITHOUT THE EXPRESS WRITTEN CONSENT OF SPC TECHNOLOGY.

SPC-F005.DWG

REVISIONS

DOC. NO. SPC-F005 * Effective: 7/8/02 * DCP No: 1398

DCP #	REV	DESCRIPTION	DRAWN	DATE	CHECKD	DATE	APPRVD	DATE
1876	A	RELEASED	EO	07/25/06	SA	07/25/06	HO	07/25/06



PANEL CUTOUT

SPECIFICATIONS:

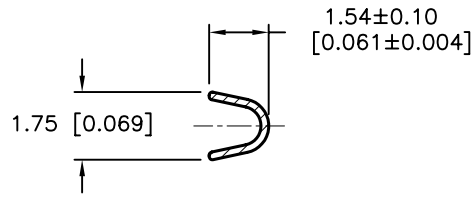
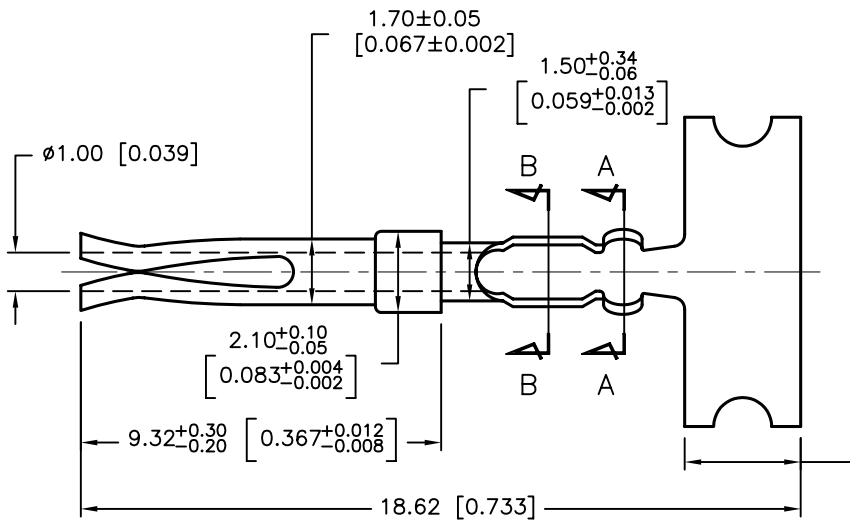
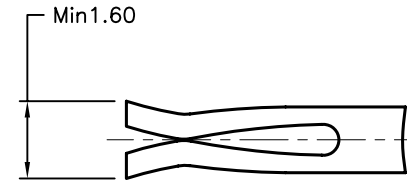
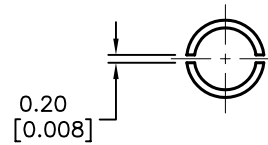
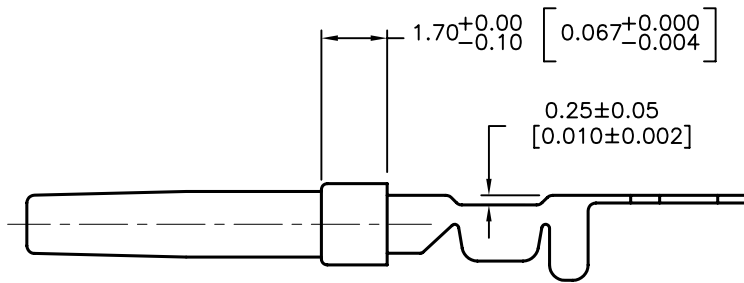
Shell: Steel, Zinc Yellow Chromated
 Insulator: UL 94V-0 Rated, Black
 1. PBT+30% Fiber Glass
 2. Nylon-66
 Current Rating: 5 Amps
 Contact Resistance: 15 miliohms Max
 Insulator Resistance: 1000 Megohms Min
 Voltage: 500 VAC for 1 Minute
 Temperature: -50°C to +100°C

DISCLAIMER:
 ALL STATEMENTS AND TECHNICAL INFORMATION CONTAINED HEREIN ARE BASED UPON INFORMATION AND/OR TESTS WE BELIEVE TO BE ACCURATE AND RELIABLE. SINCE CONDITIONS OF USE ARE BEYOND OUR CONTROL, THE USER SHALL DETERMINE THE SUITABILITY OF THE PRODUCT FOR THE INTENDED USE AND ASSUME ALL RISK AND LIABILITY WHATSOEVER IN CONNECTION THEREWITH.

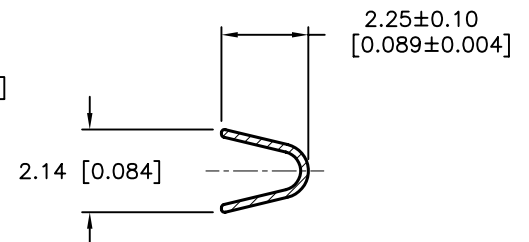
TOLERANCES:
 Unless Otherwise Specified
 .X ±0.35 [0.014]
 .XX ±0.15 [0.006]

DRAWN BY: EKLAS ODISH
 CHECKED BY: SAMI ALNADI
 APPROVED BY: HISHAM ODISH
 DATE: 07/25/06
 DATE: 07/25/06
 DATE: 07/25/06

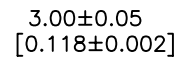
DRAWING TITLE: 15 Pin Crimp Type D-Sub Socket
 SIZE: A
 DWG. NO.: SPC15138
 ELECTRONIC FILE: 79K4751.DWG
 REV: A
 SCALE: NTS
 U.O.M.: mm [INCHES]
 SHEET: 1 OF 2



SECTION: B-B



SECTION: A-A



SPECIFICATIONS:

Contact: Phosphor-Bronze, Stamped Gold-Plated on Contact Area
 Nickel-Plated on Crimp-Area

SIZE A	DWG. NO. SPC15138	ELECTRONIC FILE 79K4751.DWG	REV A
------------------	-----------------------------	---------------------------------------	-----------------

SCALE: NTS	U.O.M.: mm [INCHES]	SHEET: 2 OF 2
------------	---------------------	---------------