



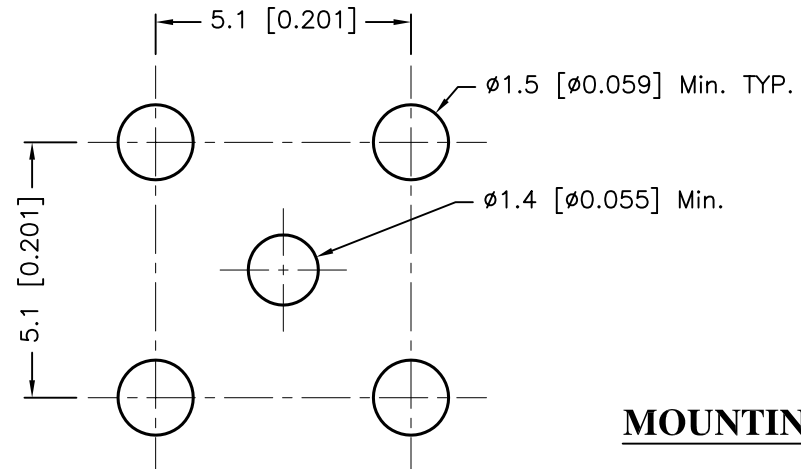
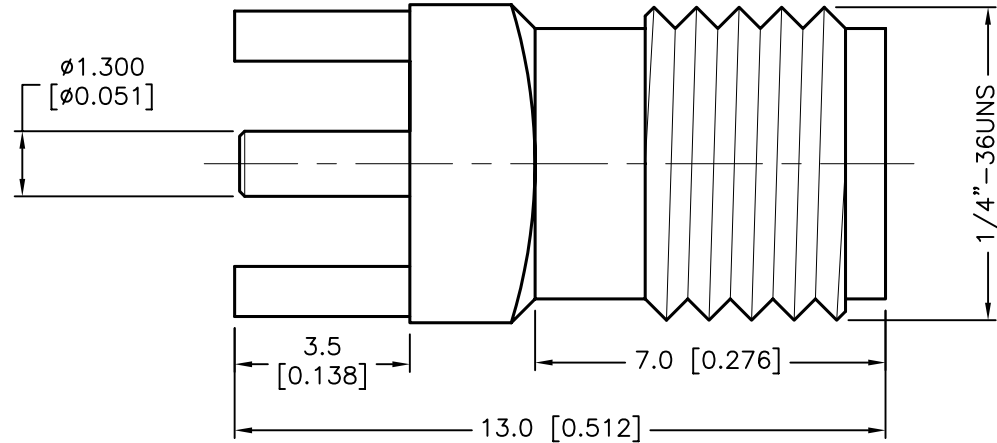
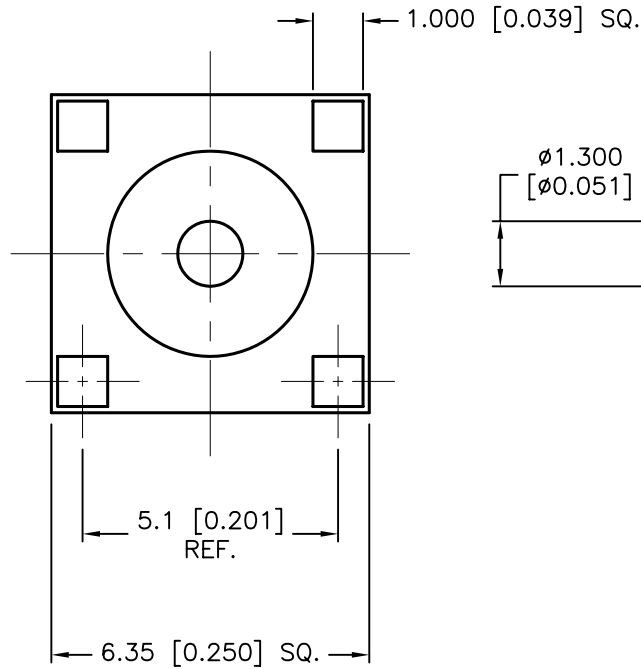
ALL RIGHTS RESERVED. NO PORTION OF THIS PUBLICATION, WHETHER IN WHOLE OR IN PART CAN BE REPRODUCED WITHOUT THE EXPRESS WRITTEN CONSENT OF SPC TECHNOLOGY.

SPC-F005.DWG

REVISIONS

DOC. NO. SPC-F005 * Effective: 7/8/02 * DCP No: 1398

DCP #	REV	DESCRIPTION	DRAWN	DATE	CHECKD	DATE	APPRVD	DATE
1902	A	RELEASED	EO	05/08/06	TL	06/15/06	HO	06/15/06



MOUNTING HOLE

SPECIFICATIONS:

- 1- BODIES: BRASS PER JIS-C3604
- 2- CENTER CONTACT: BERYLLIUM COPPER PER ASTM B198 UNS C17300
- 3- INSULATION: TEFLON PER ASTM D1457 AND ASTM D1710
- 4- CONNECTOR INTERFACE PER MIL-STD-348A
- 5- PART TO BE CLEAN AND FREE OF BURRS

NO	DESCRIPTION	MATERIAL	Q'TY	FINISH
3	INSULATION	TEFLON	1	NONE
2	BODY	BRASS	1	GOLD 3μ"MIN.
1	CENTER CONTACT	BERYLLIUM COPPER	1	GOLD 50μ"MIN.

DISCLAIMER:
ALL STATEMENTS AND TECHNICAL INFORMATION CONTAINED HEREIN ARE BASED UPON INFORMATION AND/OR TESTS WE BELIEVE TO BE ACCURATE AND RELIABLE. SINCE CONDITIONS OF USE ARE BEYOND OUR CONTROL, THE USER SHALL DETERMINE THE SUITABILITY OF THE PRODUCT FOR THE INTENDED USE AND ASSUME ALL RISK AND LIABILITY WHATSOEVER IN CONNECTION THEREWITH.

TOLERANCES:

.X=±0.2
.XX=±0.1
.XXX=±0.05
ANGLE=±5°

DRAWN BY:	DATE:
EKLAS ODISH	05/08/06
CHECKED BY:	DATE:
THOMAS LEE	06/15/06
APPROVED BY:	DATE:
HISHAM ODISH	06/15/06

DRAWING TITLE:
Coaxial Connector, SMA, Female, 50 Ohms, PC Board, Solder Style

SIZE	DWG. NO.	ELECTRONIC FILE	REV
A	SPC20113	82K9793.DWG	A
SCALE: NTS	U.O.M.: mm [inches]	SHEET: 1 OF 1	