



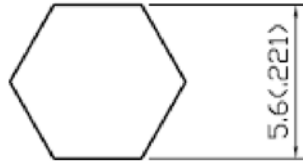
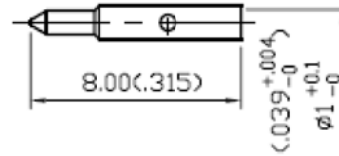
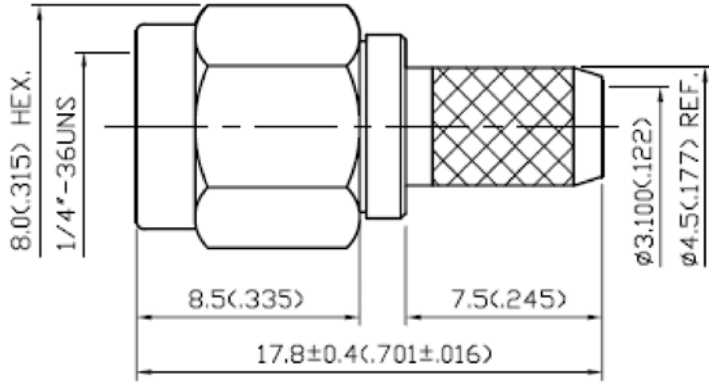
ALL RIGHTS RESERVED. NO PORTION OF THIS PUBLICATION, WHETHER IN WHOLE OR IN PART CAN BE REPRODUCED WITHOUT THE EXPRESS WRITTEN CONSENT OF SPC TECHNOLOGY.

SPC-F005.DWG

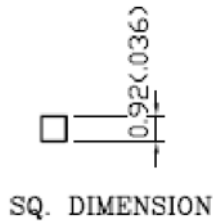
REVISIONS

DOC. NO. SPC-F005 * Effective: 7/8/02 * DCP No: 1398

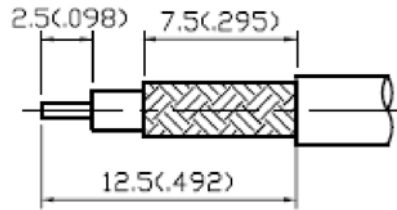
DCP #	REV	DESCRIPTION	DRAWN	DATE	CHECKD	DATE	APPRVD	DATE
2090	A	Released	JYC	6/2/10	JYC	6/2/10	JYC	6/2/10



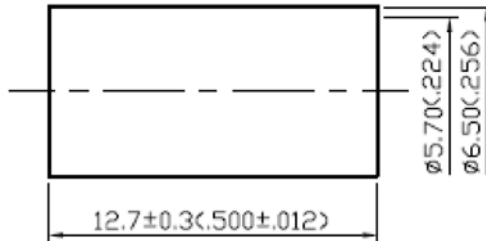
HEX. DIMENSION



SQ. DIMENSION



STRIPPING DIMENSION



ELECTRICAL

- Frequency Range: DC-12.4 GHz
- Nominal Impedance: 50 Ohm
- Working Voltage: 500 Volts Max.
- Proof Voltage: 1000 Volts
- VSWR: 1.28 Max



MATERIALS

- Bodies: Brass PER JIS-C3604
- Center Contact: Brass PER JIS-C3604
- Insulation: Teflon PER ASTM D1457 and ASTM D1710
- Crimp Ferrule: Brass PER JIS-C2700

FINISHES AND OTHERS

-See below table for detail

MECHANICAL

- Interface in accordance with: MIL-STD-348A
- For use with RG142U or similar style cable
- Cable attached: outer: CRIMP, inner: SOLDER/CRIMP
- Recommended coupling torque: 3~5 in lbs
- Cable retention: 40 lbs MIN
- Crimp size required: Contact: 0.92(.036) square crimp tool
Ferrule: 5.6 (.221) hex. crimp tool

ENVIRONMENTAL

- Operating Temperature Range: -65°C to +165°C

DESCRIPTION	MATERIAL	Q'TY	FINISH
Crimp Ferrule	Brass	1	Gold 3µ" Min.
Center Contact	Brass	1	Gold 50µ" Min.
Body	Zinc	1	Gold 3µ" Min.
Insulation	Teflon	1	None
Washer	Rubber	1	None
Gasket	Brass	1	Red
Shell	SK-5	1	Gold 3µ" Min.

DISCLAIMER:
ALL STATEMENTS AND TECHNICAL INFORMATION CONTAINED HEREIN ARE BASED UPON INFORMATION AND/OR TESTS WE BELIEVE TO BE ACCURATE AND RELIABLE. SINCE CONDITIONS OF USE ARE BEYOND OUR CONTROL, THE USER SHALL DETERMINE THE SUITABILITY OF THE PRODUCT FOR THE INTENDED USE AND ASSUME ALL RISK AND LIABILITY WHATSOEVER IN CONNECTION THEREWITH.

TOLERANCES:
UNLESS OTHERWISE SPECIFIED, DIMENSIONS ARE FOR REFERENCE PURPOSES ONLY.

DRAWN BY:	DATE:
Jerrold Chen	6/2/2010
CHECKED BY:	DATE:
Jerrold Chen	6/2/2010
APPROVED BY:	DATE:
Jerrold Chen	6/2/2010

DRAWING TITLE:			
SMA Straight Plug Crimp			
SIZE	DWG. NO.	ELECTRONIC FILE	REV
A	MC23546	96M8830.dwg	A
SCALE:	NTS	U.O.M.: mm (INCHES)	SHEET: 1 OF 1