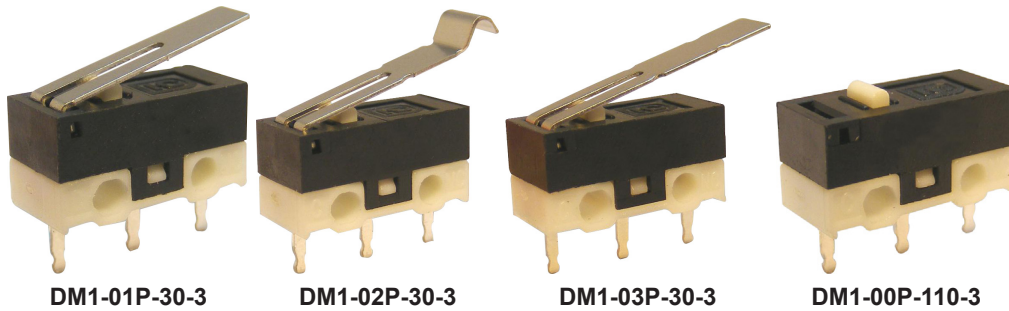


# Sub-miniature Snap Action Switch - DM1 Series

**multicomp** PRO

**RoHS  
Compliant**

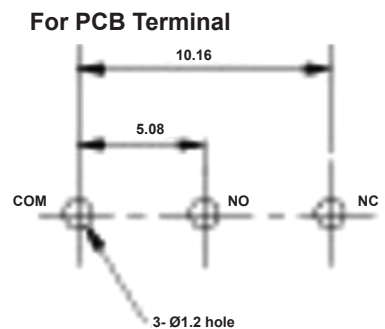


## Specifications

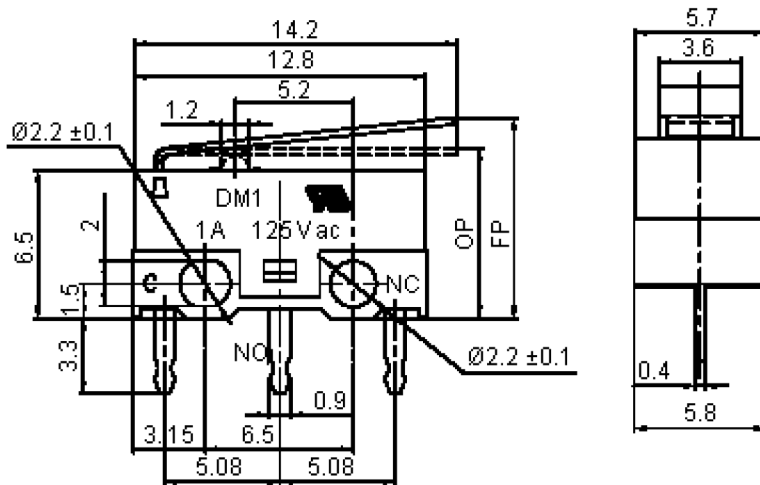
Switch Type	: Sub-Miniature Snap-Action
Switch Actuator	: Button / Short Lever / Hook Lever / Long Lever
Contact Configuration	: SPDT
Switch Terminal	: Straight PC Terminal
Button	: White

## Electrical Specifications

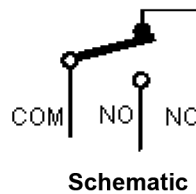
Rating	: 1A, 125V AC / 30mA, 5V DC
Contact Resistance	: 100mΩ initial (max.)
Insulation Resistance	: 100MΩ (min.) @ 500V DC
Withstand Voltage	: 500V AC/1 minute
Loaded Life Cycle	: 10,000 (500,000 - 5V DC, 30mA)
Mechanical Operating Frequency	: 120/min.
Electrical Operating Frequency	: 10/min.



## Diagrams



DM1-01P-30-3



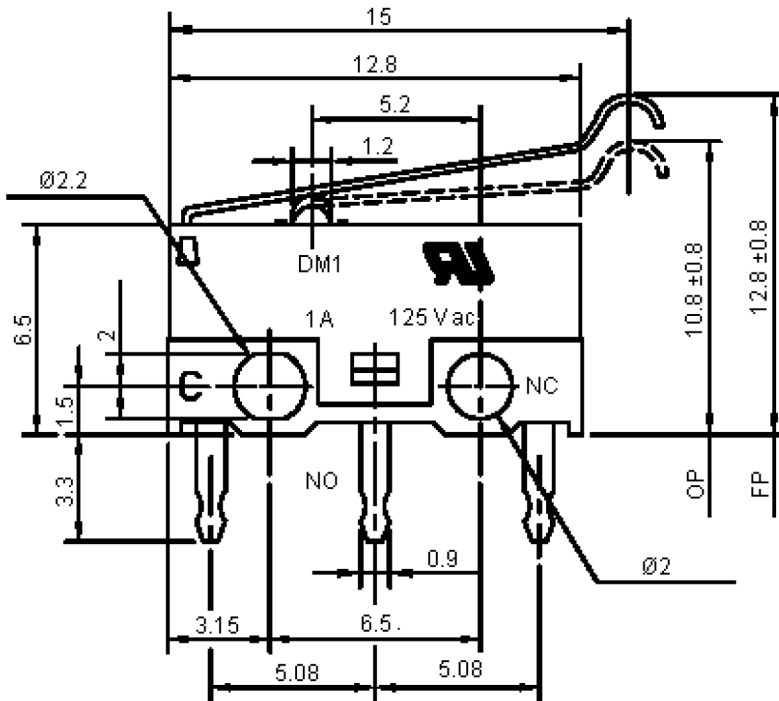
Dimensions : Millimetres

Newark.com/multicomp-pro  
Farnell.com/multicomp-pro  
Element14.com/multicomp-pro

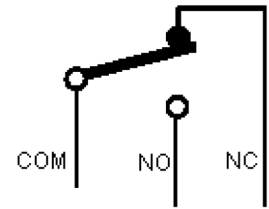
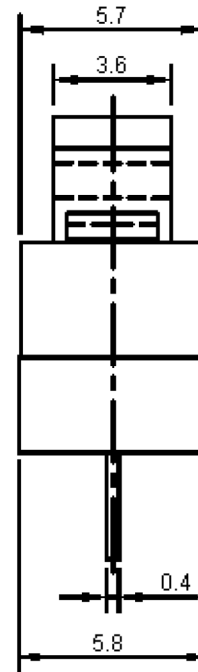
**multicomp** PRO

# Sub-miniature Snap Action Switch - DM1 Series

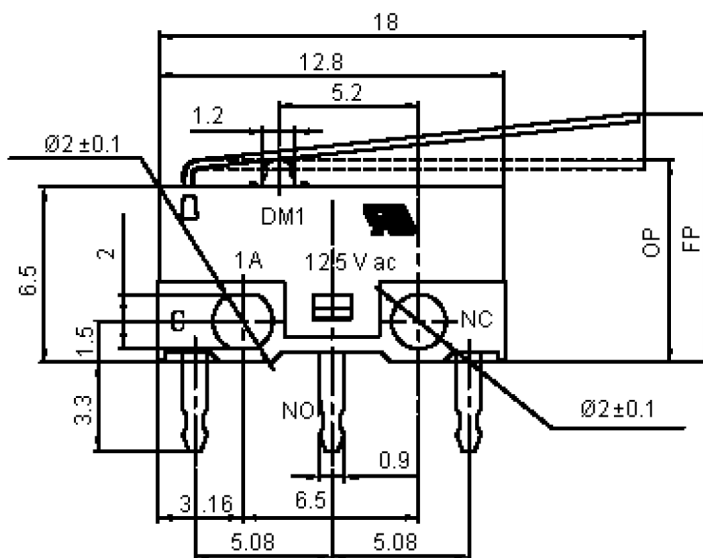
**multicomp** PRO



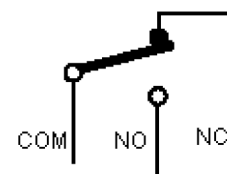
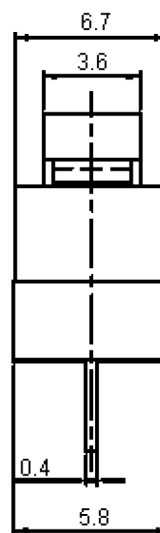
DM1-02P-30-3



Schematic



DM1-03P-30-3



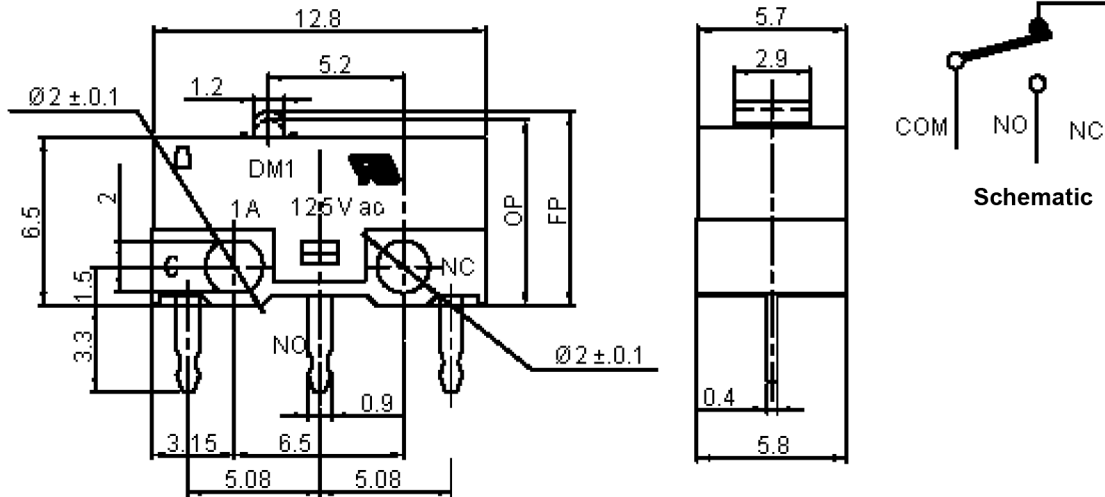
Schematic

Dimensions : Millimetres

**multicomp** PRO

# Sub-miniature Snap Action Switch - DM1 Series

**multicomp** PRO



DM1-00P-110-3

## Operating Force

Actuator	Operating Force (gf)	Free Position Max. (mm)	Operating Position (mm)
Short Lever	30 ±15	10.4 ±0.8	8.8 ±0.8
Hook Lever	30 ±15	10.4 ±0.8	8.8 ±0.8
Long Lever	30 ±15	12 ±0.8	9.5 ±0.8
Button	110 ±30	7.35 ±0.2	7 ±0.2

## Part Number Table

Description	Part Number
Microswitch, Snap Action, Short Lever, SPDT, 1A, 125V AC, White, THT	DM1-01P-30-3
Microswitch, Snap Action, Hook Lever, SPDT, 1A, 125V AC, White, THT	DM1-02P-30-3
Microswitch, Snap Action, Long Lever, SPDT, 1A, 125V AC, White, THT	DM1-03P-30-3
Microswitch, Snap Action, Button, SPDT, 1A, 125V AC, White, THT	DM1-00P-110-3

**Important Notice :** This data sheet and its contents (the "Information") belong to the members of the AVNET group of companies (the "Group") or are licensed to it. No licence is granted for the use of it other than for information purposes in connection with the products to which it relates. No licence of any intellectual property rights is granted. The Information is subject to change without notice and replaces all data sheets previously supplied. The Information supplied is believed to be accurate but the Group assumes no responsibility for its accuracy or completeness, any error in or omission from it or for any use made of it. Users of this data sheet should check for themselves the Information and the suitability of the products for their purpose and not make any assumptions based on information included or omitted. Liability for loss or damage resulting from any reliance on the Information or use of it (including liability resulting from negligence or where the Group was aware of the possibility of such loss or damage arising) is excluded. This will not operate to limit or restrict the Group's liability for death or personal injury resulting from its negligence. Multicomp Pro is the registered trademark of Premier Farnell Limited 2019.

Newark.com/multicomp-pro  
 Farnell.com/multicomp-pro  
 Element14.com/multicomp-pro

**multicomp** PRO