

D-Sub Connectors, Cable Assemblies and Plastic Dust Cap

multicomp PRO

**RoHS
Compliant**

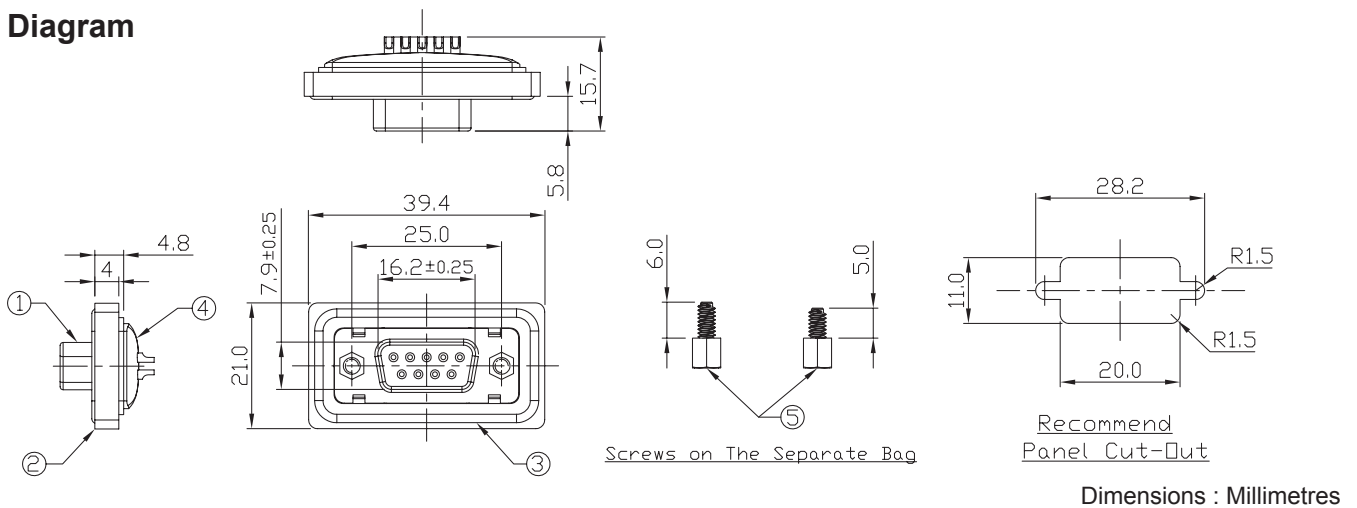
MP002474 D-Sub 9P Panel Female Solder



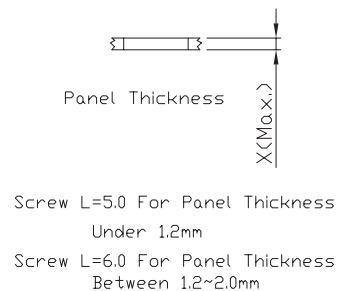
Specifications

IP Rating : IP68
 Recommend Panel Thickness : 0.8mm to 2mm
 Recommend Torque : 5 to 6 Kgf-cm

Diagram



No.	Part Name	Material/Finish	Qty.
1	D-Sub 9P Female	Housing: Thermoplastic; Colour: Clear	1
		Contacts: Copper Alloy; Finish: Au Plated	
		Shell: Steel; Finish: Sn Plated	
2	Housing	Thermoplastic; Colour: Black	
3	O-Ring	Silicone; Colour: Red	
4	Glue	Epoxy; Colour: Black	
5	Machine Screw	#4-40, Copper Alloy; Finish: Ni Plated	



Newark.com/multicomp-pro
 Farnell.com/multicomp-pro
 Element14.com/multicomp-pro

multicomp PRO

D-Sub Connectors, Cable Assemblies and Plastic Dust Cap

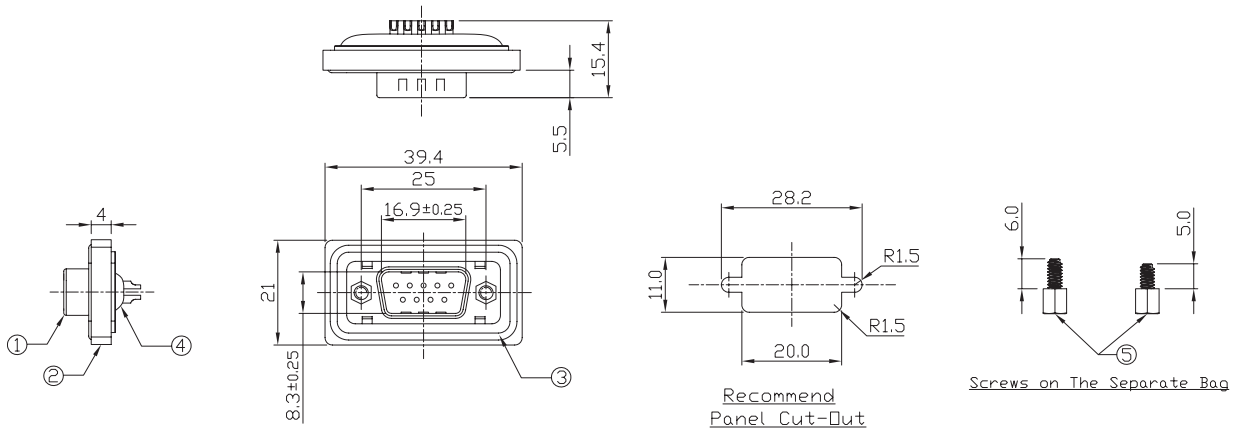
MP002475 D-Sub 9P Panel Male Solder



Specifications

IP Rating : IP68
 Recommend Panel Thickness : 0.8mm to 2mm
 Recommend Torque : 5 to 6 Kgf-cm

Diagram



Dimensions : Millimetres

No.	Part Name	Material/Finish	Qty.
1	D-Sub 9P Male	Housing: Thermoplastic; Colour: Black	1
		Contacts: Copper Alloy; Finish: Au Plated	
		Shell: Steel; Finish: Sn Plated	
2	Housing	Thermoplastic; Colour: Black	
3	O-Ring	Silicone; Colour: Red	
4	Glue	Epoxy; Colour: Black	
5	Machine Screw	#4-40, Copper Alloy; Finish: Ni Plated	



Screw L=5.0 For Panel Thickness Under 1.2mm
 Screw L=6.0 For Panel Thickness Between 1.2~2.0mm

D-Sub Connectors, Cable Assemblies and Plastic Dust Cap

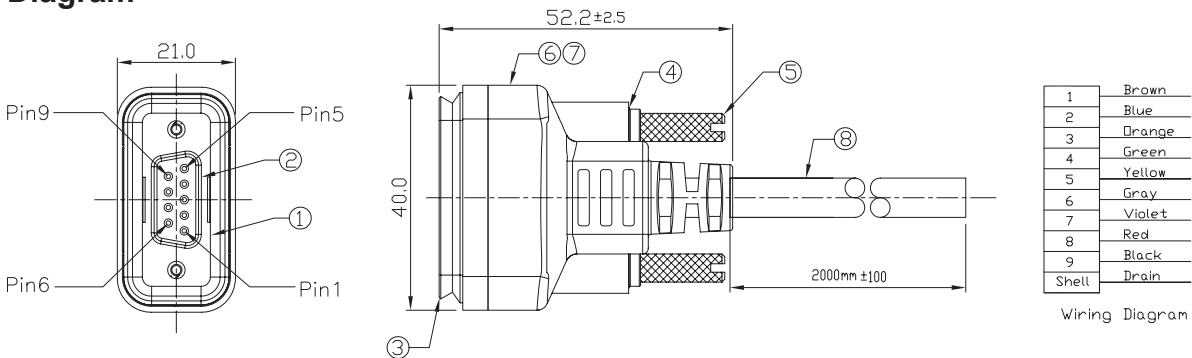
MP002476 D-Sub 5A 9P Cable End Female



Specification

IP Rating : IP67

Diagram



Dimensions : Millimetres

No.	Part Name	Material/Finish	Qty.
1	Housing	Thermoplastic; Colour: Black	1
2	D-Sub 5A 9P Female	Housing: Thermoplastic; Colour: Black	
		Contacts: Copper Alloy; Finish: Au Plated	
		Shell: Cold Roll Steel; Finish: Sn Plated	
3	Rubber Pad	EPDM; Colour: Black	2
4	Gasket	EPDM; Colour: Black	
5	Machine Screw	Stainless; Finish: Non	1
6	Inner Mold	Thermoplastic; Colour: White	
7	Over Mold	PVC; Colour: Black	
8	Cable	UL2464 24AWG×9C+AL/My+D Colour: Black, OD = 6mm	1

D-Sub Connectors, Cable Assemblies and Plastic Dust Cap

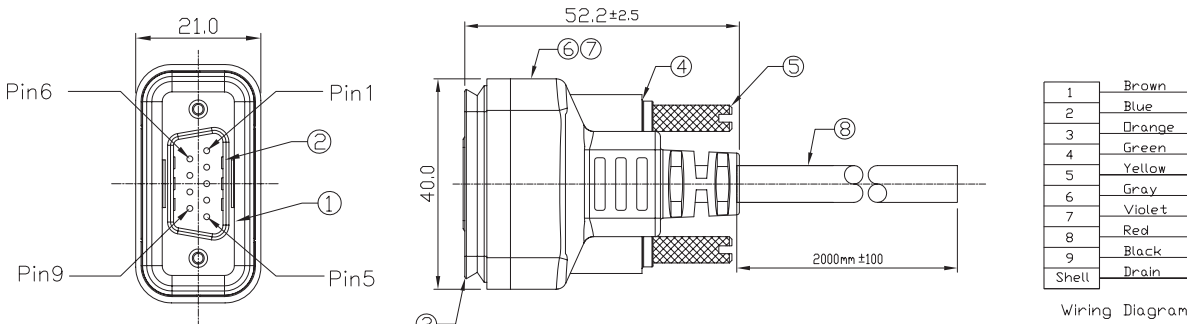
MP002477 D-Sub 5A 9P Cable End Male



Specification

IP Rating : IP67

Diagram



Dimensions : Millimetres

No.	Part Name	Material/Finish	Qty.
1	Housing	Thermoplastic; Colour: Black	1
2	D-Sub 5A 9P Female	Housing: Thermoplastic; Colour: Black	
		Contacts: Copper Alloy; Finish: Au Plated	
		Shell: Cold Roll Steel; Finish: Sn Plated	
3	Rubber Pad	EPDM; Colour: Black	2
4	Gasket	EPDM; Colour: Black	
5	Machine Screw	Stainless; Finish: Non	1
6	Inner Mold	Thermoplastic; Colour: White	
7	Over Mold	PVC; Colour: Black	
8	Cable	UL2464 24AWG×9C+AL/My+D Colour: Black, OD = 6mm	1

D-Sub Connectors, Cable Assemblies and Plastic Dust Cap

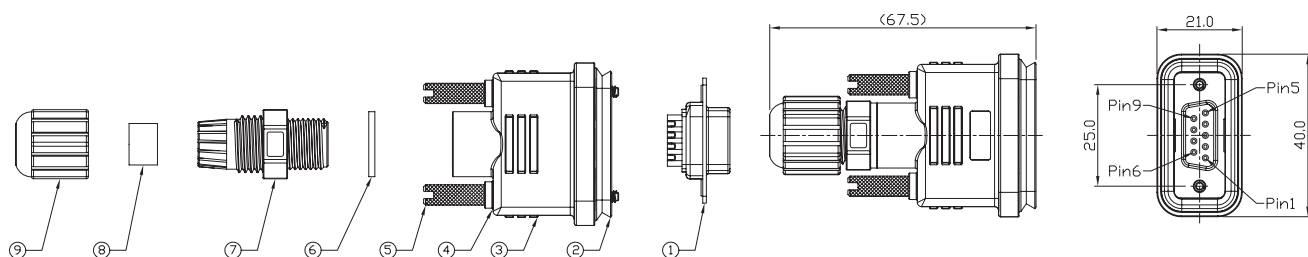
MP002478 D-Sub 5A 9P Field Installed Cable end Female Solder



Specifications

IP Rating : IP67
 Suitable Cable OD : 4mm to 8mm
 Recommend Cover Torque : 6 to 7Kgf-cm
 Recommend Gland Nut Torque : 9 to 10Kgf-cm

Diagram



Dimensions : Millimetres

No.	Part Name	Material/Finish	Qty.
1	D-Sub 9P Female	Housing: Thermoplastic; Colour: Black	1
		Contacts: Copper Alloy; Finish: Au Plated	
		Shell: SPCC; Finish: Ni Plated	
2	Seal	EPDM; Colour: Black	2
3	Housing	Thermoplastic; Colour: Black	
4	Gasket	EPDM; Colour: Black	1
5	Screw	Cutting Iron; Finish: Ni Plated	
6	Gasket	EPDM; Colour: Black	1
7	Cover	Thermoplastic; Colour: Black	
8	Gland	Silicone; Colour: Black	
9	Gland Nut	Thermoplastic; Colour: Black	

D-Sub Connectors, Cable Assemblies and Plastic Dust Cap

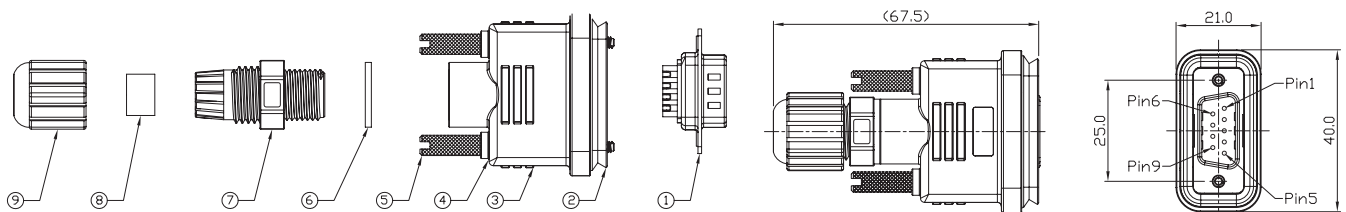
MP002479 D-Sub 5A 9P Field Installed Cable end Male Solder



Specifications

IP Rating : IP67
 Suitable Cable OD : 4mm to 8mm
 Recommend Cover Torque : 6 to 7Kgf-cm
 Recommend Gland Nut Torque : 9 to 10Kgf-cm

Diagram



Dimensions : Millimetres

No.	Part Name	Material/Finish	Qty.
1	D-Sub 9P Male	Housing: Thermoplastic; Colour: Black	1
		Contacts: Copper Alloy; Finish: Au Plated	
		Shell: SPCC; Finish: Ni Plated	
2	Seal	EPDM; Colour: Black	2
3	Housing	Thermoplastic; Colour: Black	
4	Gasket	EPDM; Colour: Black	1
5	Screw	Cutting Iron; Finish: Ni Plated	
6	Gasket	EPDM; Colour: Black	1
7	Cover	Thermoplastic; Colour: Black	
8	Gland	Silicone; Colour: Black	
9	Gland Nut	Thermoplastic; Colour: Black	

D-Sub Connectors, Cable Assemblies and Plastic Dust Cap

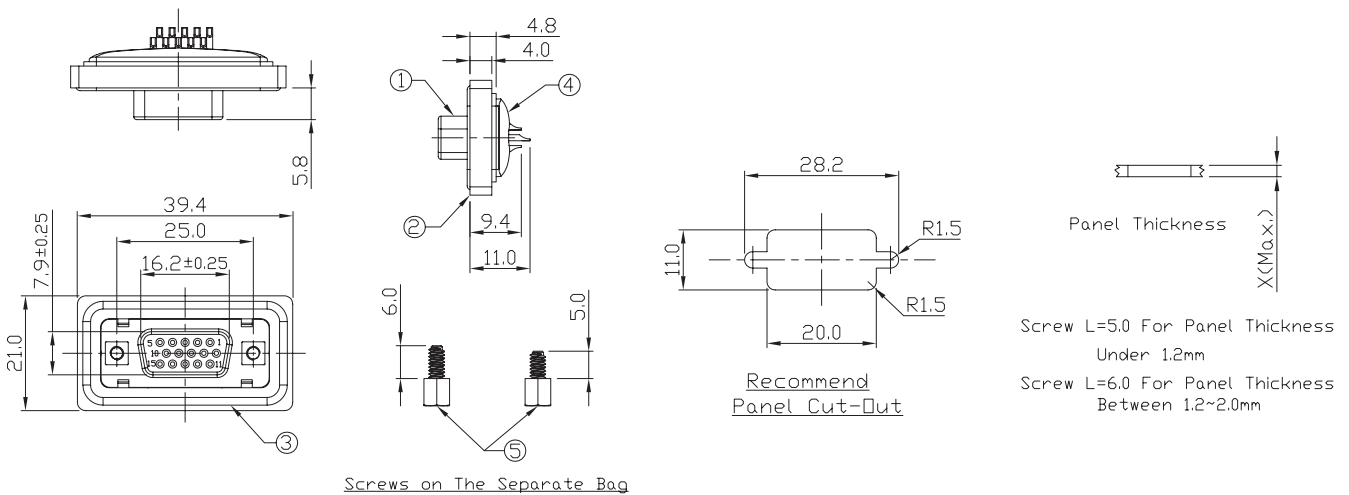
MP002480 D-Sub HD 5A 15P Panel Female Solder



Specifications

IP Rating : IP68
 Recommend Panel Thickness : 0.8mm to 2mm
 Recommend Torque : 2.5 to 3Kgf-cm

Diagram



Dimensions : Millimetres

No.	Part Name	Material/Finish	Qty.
1	HD 15P Female D-Sub	Housing: Thermoplastic; Colour: Black	1
		Contacts: Copper Alloy; Finish: Gold Flash	
		Shell: Cold Roll Steel; Finish: Ni Plated	
2	Housing	Thermoplastic; Colour: Black	
3	O-Ring	Silicone; Colour: Red	
4	Glue	Epoxy; Colour: Black	-
5	Screw	#4-40, Copper Alloy; Finish: Ni Plated	2

D-Sub Connectors, Cable Assemblies and Plastic Dust Cap

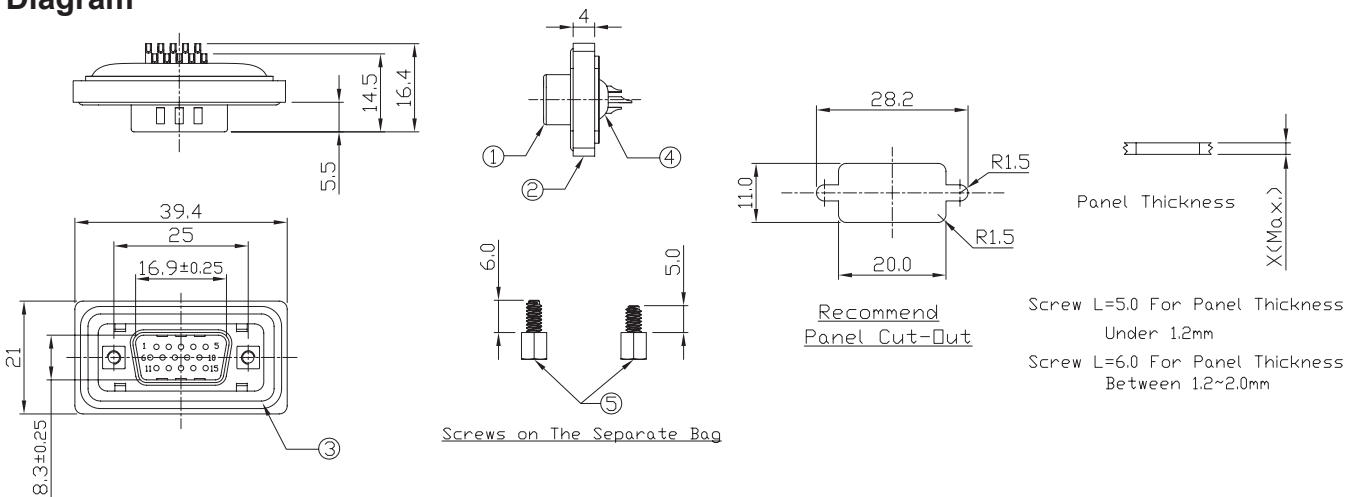
MP002481 D-Sub HD 5A 15P Panel Female Solder



Specifications

IP Rating : IP68
 Recommend Panel Thickness : 0.8mm to 2mm
 Recommend Torque : 2.5 to 3Kgf-cm

Diagram



Dimensions : Millimetres

No.	Part Name	Material/Finish	Qty.
1	HD 15P Male D-Sub	Housing: Thermoplastic; Colour: Black	1
		Contacts: Copper Alloy; Finish: Gold Flash	
		Shell: SPCC; Finish: Ni Plated	
2	Housing	Thermoplastic; Colour: Black	
3	O-Ring	Silicone; Colour: Red	
4	Glue	Epoxy; Colour: Black	-
5	Screw	#4-40, Copper Alloy; Finish: Ni Plated	4

D-Sub Connectors, Cable Assemblies and Plastic Dust Cap

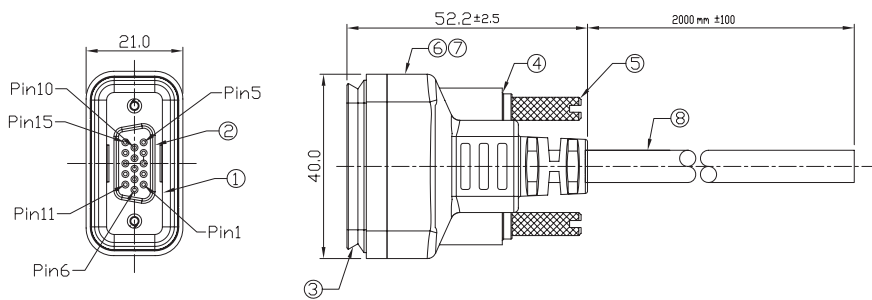
MP002482 D-Sub HD 5A 15P Cable End Female



Specification

IP Rating : IP67

Diagram



1	Brown
2	Blue
3	Orange
4	Green
5	Yellow
6	Gray
7	Pink
8	Red
9	Black
10	White
11	Purple
12	Light Green
13	Black/White
14	Brown/White
15	Red/White
Shell	Drain

Wiring Diagram

Dimensions : Millimetres

No.	Part Name	Material/Finish	Qty.
1	Housing	Thermoplastic; Colour: Black	1
2	D-Sub Female 15P	Contacts: Copper Alloy; Finish: Au Plated	
		Housing: Thermoplastic; Colour: Black	
		Shell: Cold Roll Steel; Finish: Ni Plated	
3	Rubber Pad	EPDM; Colour: Black	2
4	Gasket	EPDM; Colour: Black	
5	Machine Screw	Stainless; Finish: Non	1
6	Inner Mold	Thermoplastic; Colour: White	
7	Over Mold	PVC; Colour: Black	
8	Cable	UL2464 24AWG×15C+D+Al/My OD=7mm, Colour: Black	

D-Sub Connectors, Cable Assemblies and Plastic Dust Cap

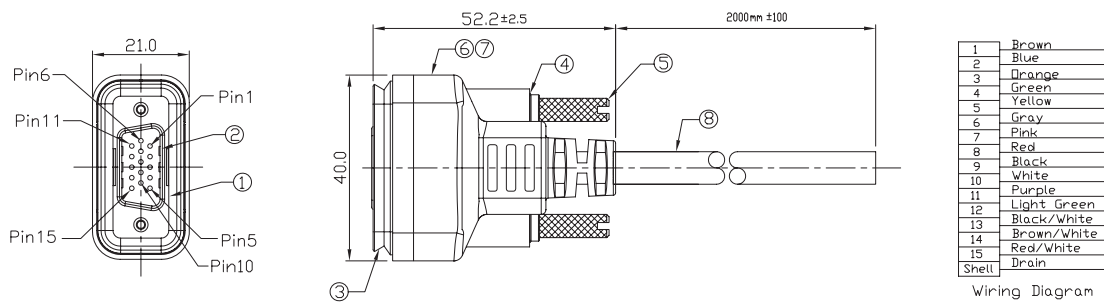
MP002483 D-Sub HD 5A 15P Cable End Male



Specification

IP Rating : IP67

Diagram



Dimensions : Millimetres

No.	Part Name	Material/Finish	Qty.
1	Housing	Thermoplastic; Colour: Black	1
2	D-Sub Male 15P	Contacts: Copper Alloy; Finish: Gold Flash	
		Housing: Thermoplastic; Colour: Black	
		Shell: Cold Roll Steel; Finish: Ni Plated	
3	Rubber Pad	EPDM; Colour: Black	2
4	Gasket	EPDM; Colour: Black	
5	Machine Screw	Stainless; Finish: Non	1
6	Inner Mold	Thermoplastic; Colour: White	
7	Over Mold	PVC; Colour: Black	
8	Cable	UL2464 24AWG×15C+D+Al/My OD=7mm, Colour: Black	

D-Sub Connectors, Cable Assemblies and Plastic Dust Cap

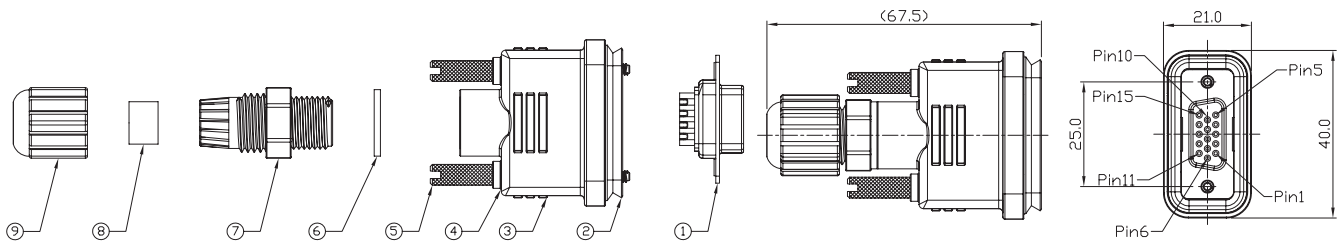
MP002484 D-Sub HD 5A 15P Field Installed Cable end Female Solder



Specifications

IP Rating : IP67
 Suitable Cable OD : 4mm to 8mm
 Recommend Cover Torque : 6 to 7Kgf-cm
 Recommend Gland Nut Torque : 9 to 10Kgf-cm

Diagram



Dimensions : Millimetres

No.	Part Name	Material/Finish	Qty.
1	D-Sub 15P Female	Housing: Thermoplastic; Colour: Black	1
		Contacts: Copper Alloy; Finish: Gold Flash	
		Shell: SPCC; Finish: Ni Plated	
2	Seal	EPDM; Colour: Black	2
3	Housing	Thermoplastic; Colour: Black	
4	Gasket	EPDM; Colour: Black	1
5	Screw	Cutting Iron; Finish: Ni Plated	
6	Gasket	EPDM; Colour: Black	1
7	Cover	Thermoplastic; Colour: Black	
8	Gland	Silicone; Colour: Black	
9	Gland Nut	Thermoplastic; Colour: Black	

D-Sub Connectors, Cable Assemblies and Plastic Dust Cap

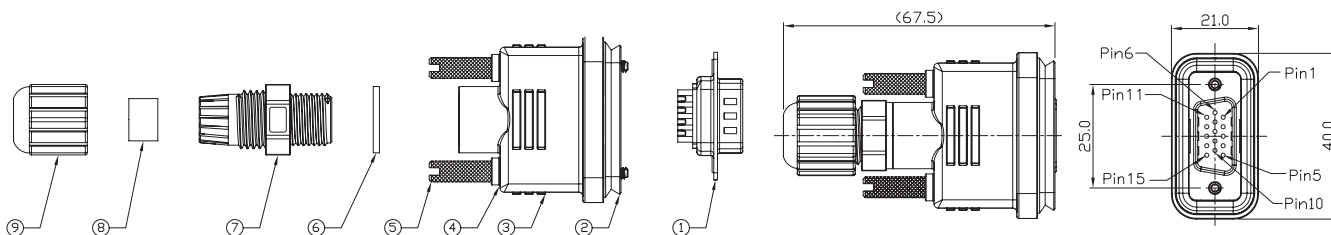
MP002485 D-Sub HD 5A 15P Field Installed Cable end Male Solder



Specifications

IP Rating : IP67
 Suitable Cable OD : 4mm to 8mm
 Recommend Cover Torque : 6 to 7Kgf-cm
 Recommend Gland Nut Torque : 9 to 10Kgf-cm

Diagram



Dimensions : Millimetres

No.	Part Name	Material/Finish	Qty.
1	D-Sub 9P Male	Housing: Thermoplastic; Colour: Black	1
		Contacts: Copper Alloy; Finish: Au Plated	
		Shell: SPCC; Finish: Ni Plated	
2	Seal	EPDM; Colour: Black	2
3	Housing	Thermoplastic; Colour: Black	
4	Gasket	EPDM; Colour: Black	1
5	Screw	Cutting Iron; Finish: Ni Plated	
6	Gasket	EPDM; Colour: Black	
7	Cover	Thermoplastic; Colour: Black	1
8	Gland	Silicone; Colour: Black	
9	Gland Nut	Thermoplastic; Colour: Black	

D-Sub Connectors, Cable Assemblies and Plastic Dust Cap



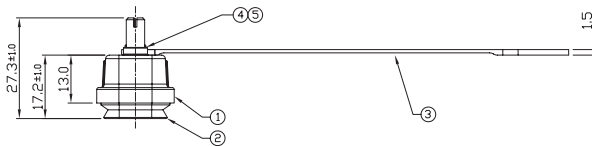
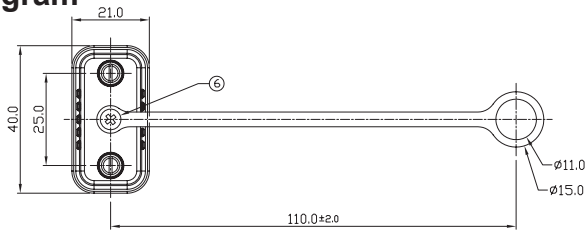
MP002486 Cap Plastic for D-Sub Stainless Screw Panel with Plastic Chain



Specifications

IP Rating : IP67
 Recommend Torque : 2.5 to 3Kgf-cm

Diagram



Dimensions : Millimetres

No.	Part Name	Material/Finish	Qty.
1	Housing	Thermoplastic; Colour: Black	1
2	Rubber Pad	EPDM; Colour Black	
3	Plastic Chain	Thermoplastic; Colour: Black	
4	Machine Screw	Stainless	
5	Gasket	EPDM; Colour Black	
6	Tapping Screw	Stainless	

Part Number Table

Description	Part Number
D-Sub Connector, Female, 9P, Solder Contacts, IP68	MP002474
D-Sub Connector, Male, 9P, Solder Contacts, IP68	MP002475
D-Sub Cable Assembly, 9P Female Plug to Free End, Black, 2m, IP67	MP002476
D-Sub Cable Assembly, 9P Male Plug to Free End, Black, 2m, IP67	MP002477
D-Sub Connector with Backshell, Female, 9P, Solder Contacts, IP67	MP002478
D-Sub Connector with Backshell, Male, 9P, Solder Contacts, IP68	MP002479
HD D-Sub Connector, Female, 15P, Solder Contacts, IP68	MP002480
HD D-Sub Connector, Male, 15P, Solder Contacts, IP68	MP002481
D-Sub Cable Assembly, 15P Female Plug to Free End, Black, 2m, IP67	MP002482
D-Sub Cable Assembly, 15P Male Plug to Free End, Black, 2m, IP67	MP002483
D-Sub Connector with Backshell, Female, 15P, Solder Contacts, IP67	MP002484
D-Sub Connector with Backshell, Male, 15P, Solder Contacts, IP67	MP002485
Plastic Dust Cap with Plastic Chain, D-Sub 9P Connector, IP67	MP002486

Important Notice : This data sheet and its contents (the "Information") belong to the members of the AVNET group of companies (the "Group") or are licensed to it. No licence is granted for the use of it other than for information purposes in connection with the products to which it relates. No licence of any intellectual property rights is granted. The Information is subject to change without notice and replaces all data sheets previously supplied. The Information supplied is believed to be accurate but the Group assumes no responsibility for its accuracy or completeness, any error in or omission from it or for any use made of it. Users of this data sheet should check for themselves the Information and the suitability of the products for their purpose and not make any assumptions based on information included or omitted. Liability for loss or damage resulting from any reliance on the Information or use of it (including liability resulting from negligence or where the Group was aware of the possibility of such loss or damage arising) is excluded. This will not operate to limit or restrict the Group's liability for death or personal injury resulting from its negligence. Multicomp Pro is the registered trademark of Premier Farnell Limited 2019.

Newark.com/multicomp-pro
 Farnell.com/multicomp-pro
 Element14.com/multicomp-pro

