

# DC Link Film Capacitors - Screw/Stud Terminals

**multicomp**PRO

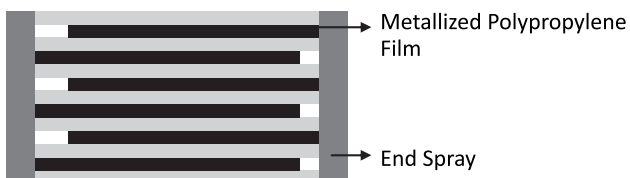
RoHS  
Compliant



## Features

- Self-Inductance as low as 11nH
- ESR as low as 0.5 mΩ
- Low profile
- High thermal conductivity
- Life expectancy as high as 100 Khrs
- Integrated mounting flanges
- Flame retardant UL94- V0

## Construction



## Applications

- DC filtering
- Wind power inverters
- Solar power inverters
- Induction heaters
- Electric vehicle inverters
- Motor drives

# DC Link Film Capacitors - Screw/Stud Terminals

**multicomp** PRO

---

## Technical Specifications

### Physical Characteristics

Electrode material	: Metallised polypropylene film
Winding construction	: Polypropylene film, metallised polypropylene film
Enclosure	: Preformed UL 94-VO plastic case with thermosetting resin-fill
Terminals	: Nickel plated brass

### Electrical Characteristics

Capacitance range	: 30 $\mu$ F to 265 $\mu$ F
Capacity tolerance	: $\pm$ 10%
Rated voltage V DC	: 700, 800, 900, 1000, 1200, 1400, 1600, 1800
Test voltage between terminals	: 1.3 x rated voltage V DC for 60 seconds (not to be repeated)
Test voltage terminal to case	: 3KV AC at 50Hz for 60 seconds
Dissipation factor (Tan d)	: 0.0015 at 100Hz and 25°C
Temperature range	: -40°C to +105°C
Insulation resistance M $\Omega$ $\times$ $\mu$ F	: 5,000 S at 25°C (S = M $\Omega$ $\times$ $\mu$ F)
Reference Standard	: IEC 61071 and IEC 60068

### Marking on Capacitors

- Each capacitor will have the following information printed on it.
- The capacitor grade viz DCL-23
- The capacitance value  $\mu$ F
- The rated voltage V DC
- The max current Arms
- Capacity tolerance and manufacturing code
- Part number on non-standard capacitors

# DC Link Film Capacitors - Screw/Stud Terminals

**multicomp** PRO

## Standard Capacitor Values

Rated voltage VDC	Nominal Capacitance $\mu\text{F}$ at 1 kHz	Case size $\phi \times L$ mm	Typical ESR at 100kHz m $\Omega$	Terminal Style	Fr** kHz	Rise in core temperature per watt dissipated $^{\circ}\text{C}$	Ripple current rating Irms at 10 kHz to 100kHz					Part Number
							25 $^{\circ}\text{C}$	45 $^{\circ}\text{C}$	65 $^{\circ}\text{C}$	85 $^{\circ}\text{C}$	105 $^{\circ}\text{C}$	
700	100	85 x 51	0.75	FS	105	12.3	96	83	69	49	12	MP003970
	100	85 x 51	0.75	MS	105	12.3	96	83	69	49	12	MP003973
800	200	85 x 64	0.95	MS	71	10.8	87	75	63	44	10	MP003971
	140	85 x 51	0.75	FS	105	12.3	96	83	69	49	12	MP003976
				MS								MP003977
	200	85 x 64	0.95	FS	71	10.8	87	75	63	44	10	MP003980
	265	85 x 79	1.65	FS	61	8.9	77	67	55	39	9	MP003981
				MS								MP003982
	70	85 x 40	0.56	FS	168	14.2	86	74	61	42	9	MP003994
70	85 x 40	0.56	MS	168	14.2	86	74	61	42	9	MP004009	
900	100	85 x 51	0.78	FS	98	12.3	93	81	71	51	12	MP003972
	65	85 x 40	0.50	FS	68	14.2	84	92	59	40	8	MP003992
				MS								MP003993
	150	85 x 64	0.97	MS	73	10.8	85	76	64	45	13	MP003978
				FS								MP003979
100	85 x 51	0.78	MS	98	12.3	93	81	71	51	12	MP003999	
1000	120	85 x 64	1.18	FS	91	10.8	78	68	56	40	9	MP003974
				MS								MP003975
	47	85 x 40	0.8	FS	176	14.2	85	73	62	38	10	MP003988
				MS								MP003989
	88	85 x 51	0.80	FS	136	12.3	89	77	64	45	11	MP003995
MS				MP003996								
1200	38	85 x 40	1.05	FS	254	14.2	72	62	52	37	9	MP003985
				MS								MP003986
	63	85 x 51	1.19	FS	179	12.3	74	64	53	38	9	MP003990
				MS								MP003991
	88	85 x 64	1.46	FS	116	10.8	69	60	50	35	8	MP003997
MS				MP003998								
1400	34	85 x 51	1.47	FS	218	12.3	64	55	46	33	8	MP003983
				MS								MP003984
	48	85 x 64	1.87	FS	143	10.8	61	53	44	31	7	MP004005
				MS								MP004006
	64	85 x 79	3.81	FS	124	8.9	52	45	37	27	6	MP004007
MS				MP004008								
1600	30	85 x 51	1.71	FS	260	12.3	62	54	45	32	7	MP004000
				MS								MP004001
	42	85 x 64	2.18	FS	171	10.8	59	51	42	30	7	MP004003
				MS								MP004004

Newark.com/multicomp-pro  
Farnell.com/multicomp-pro  
Element14.com/multicomp-pro

**multicomp** PRO

# DC Link Film Capacitors - Screw/Stud Terminals

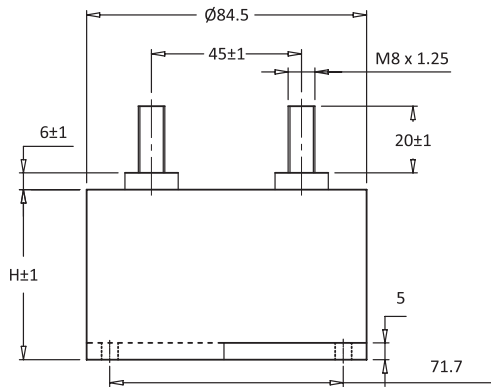
**multicomp** PRO

Rated voltage VDC	Nominal Capacitance $\mu\text{F}$ at 1 kHz	Case size $\phi \times L$ mm	Typical ESR at 100kHz m $\Omega$	Terminal Style	Fr** kHz	Rise in core temperature per watt dissipated°C	Ripple current rating Irms at 10 kHz to 100kHz					Part Number
							25°C	45°C	65°C	85°C	105°C	
1800	40	85 x 79	5.63	FS	185	8.9	43	37	31	22	5	MP003987
	40	85 x 79	5.63	MS	185	8.9	43	37	31	22	5	MP004002
	30	85 x 64	2.81	FS	226	10.8	50	43	36	26	6	MP003967
				MS								MP003968

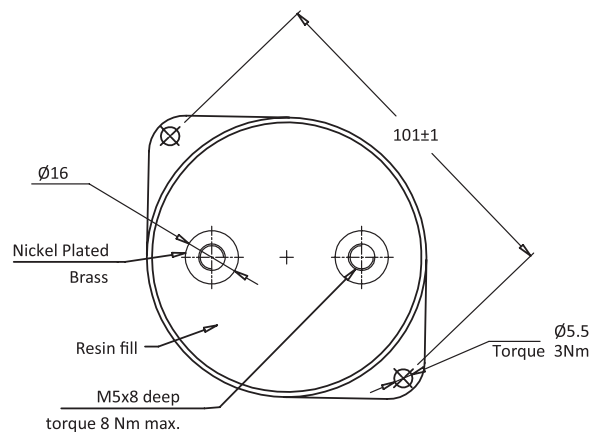
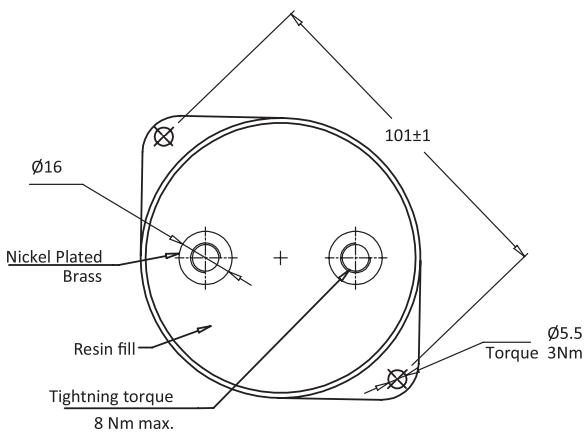
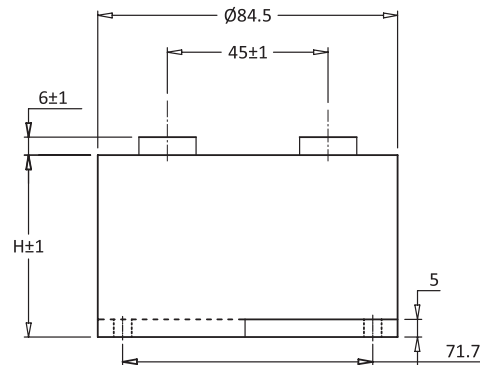
Custom designed capacitors are available on request

\*\*Fr =Typical resonant frequency (Tol.±30%)

Terminal Style : MS



Terminal Style : FS



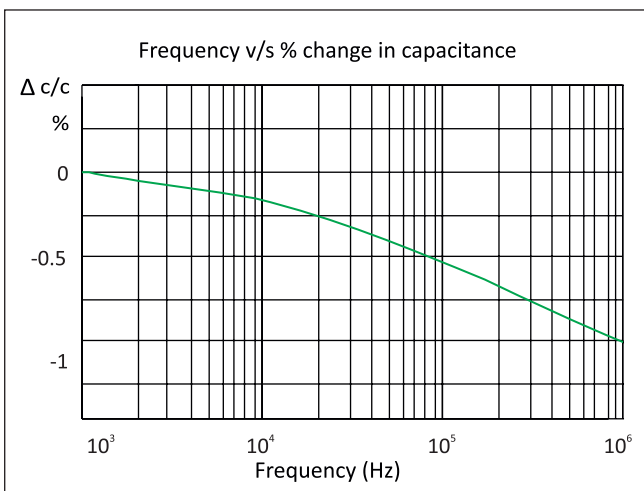
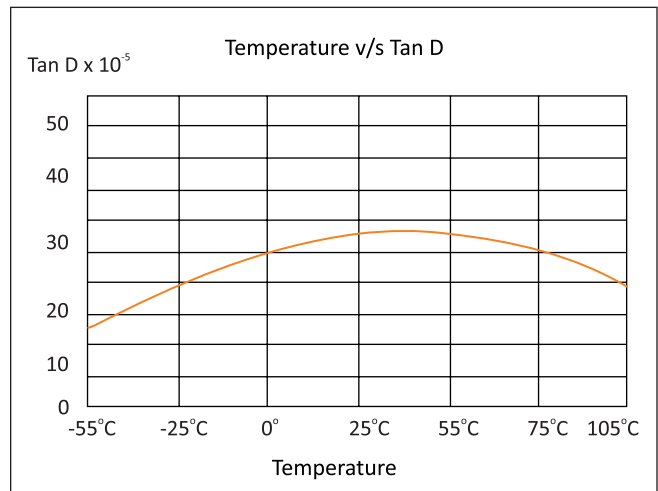
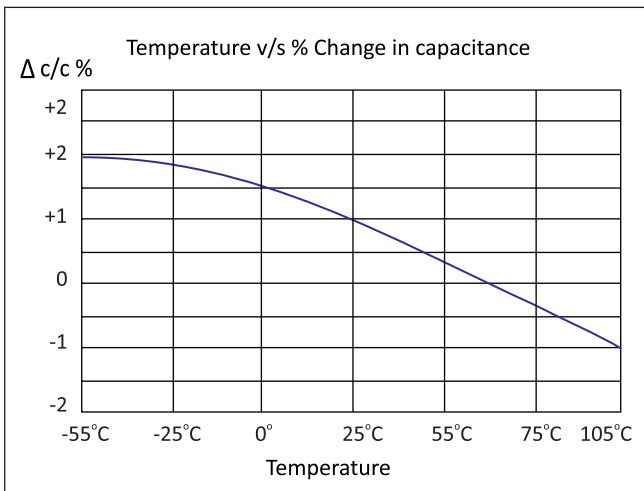
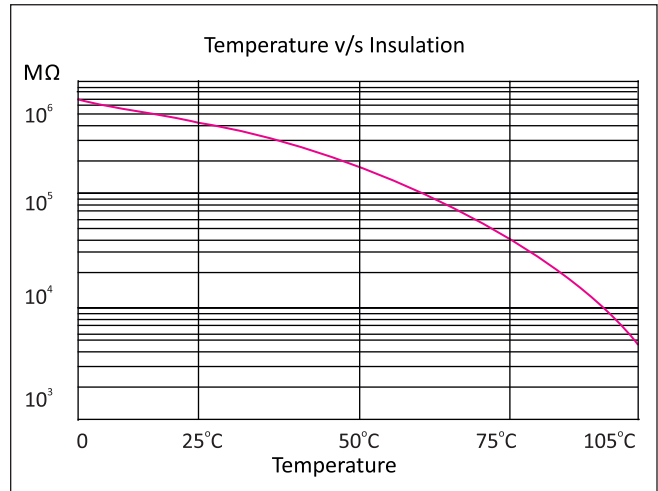
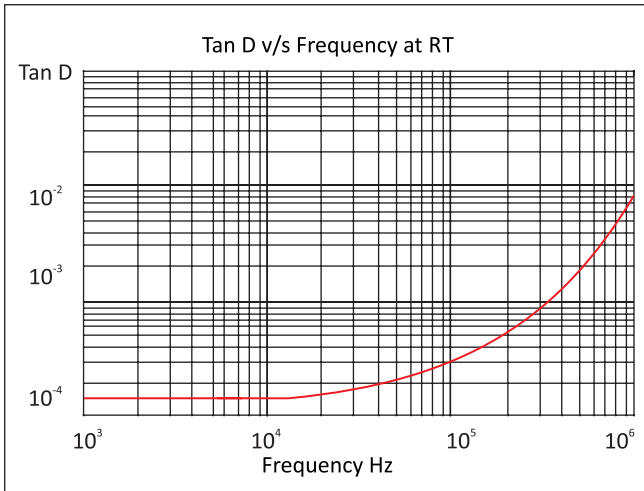
Dimensions : Millimetres

Newark.com/multicomp-pro  
Farnell.com/multicomp-pro  
Element14.com/multicomp-pro

**multicomp** PRO

# DC Link Film Capacitors - Screw/Stud Terminals

## Typical Performance Graphs



# DC Link Film Capacitors - Screw/Stud Terminals



## Life Expectancy

### Steps to calculate Hotspot Temperature

- Locate the capacitor and the ESR from the electrical specifications
- Dissipated heat= (Irms<sup>2</sup> × ESR)
- Get the value from table 1 for Rth (°C/watt)
- Calculate internaltemperature rise = (Irms<sup>2</sup> × ESR) × Rth (°C/watt)
- Hotspot temperature of capacitor= T Ambient+ (Irms<sup>2</sup> × ESR) × Rth (°C/watt)
- From the graph given below expected life can be obtained
- Ensure that the voltage and current specification are not exceeded

Can size D x H	Rth °C/Watt
85 x 40	14.2°C
85 x 51	12.3°C
85 x 64	10.8°C
85 x 79	8.9°C

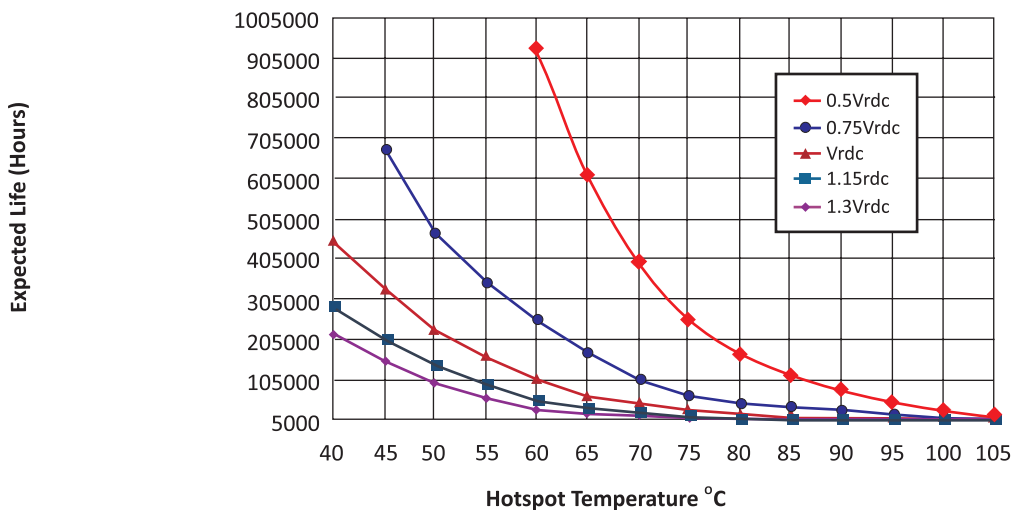
Example:If 88 µF/800 V DC is being used at 40 Arms in a 40°C Ambient; then ESR from the table = 0.00065Ω and the case size is Ø85 × 40mm

The dissipated wattage = 40 × 40 × 0.00065Ω = 1.04 watts

Temperature rise = 1.04 × 14.2°C/Watt = 14.76°C

The hotspot core temperature inside the capacitor= 40°C (Ambient)+ 14.76 (Rise)= 54.76 say 55°C From the graph below:If the capacitor is being used at 75% of Vrdc then the expected life will be approx 480,000 hours

Hotspot temperature Vs expected life with respect to % Vrdc



**Important Notice :** This data sheet and its contents (the "Information") belong to the members of the AVNET group of companies (the "Group") or are licensed to it. No licence is granted for the use of it other than for information purposes in connection with the products to which it relates. No licence of any intellectual property rights is granted. The Information is subject to change without notice and replaces all data sheets previously supplied. The Information supplied is believed to be accurate but the Group assumes no responsibility for its accuracy or completeness, any error in or omission from it or for any use made of it. Users of this data sheet should check for themselves the Information and the suitability of the products for their purpose and not make any assumptions based on information included or omitted. Liability for loss or damage resulting from any reliance on the Information or use of it (including liability resulting from negligence or where the Group was aware of the possibility of such loss or damage arising) is excluded. This will not operate to limit or restrict the Group's liability for death or personal injury resulting from its negligence. Multicomp Pro is the registered trademark of Premier Farnell Limited 2019.

Newark.com/multicomp-pro  
 Farnell.com/multicomp-pro  
 Element14.com/multicomp-pro

