



ALL RIGHTS RESERVED. NO PORTION OF THIS PUBLICATION, WHETHER IN WHOLE OR IN PART CAN BE REPRODUCED WITHOUT THE EXPRESS WRITTEN CONSENT OF SPC TECHNOLOGY.

SPC-F008.DWG

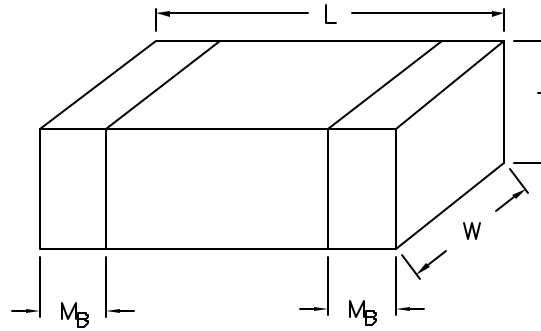
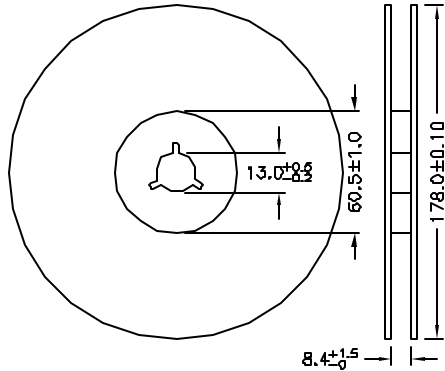
REVISIONS

DOC. NO. SPC-F005 * Effective: 7/8/02 * DCP No: 1398

DCP #	REV	DESCRIPTION	DRAWN	DATE	CHECKD	DATE	APPRVD	DATE
2032	A	Released	JN	03/05/09	JWM	03/05/09	JWM	03/05/09

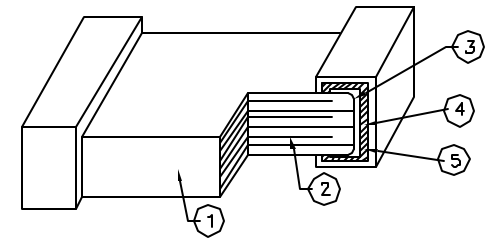
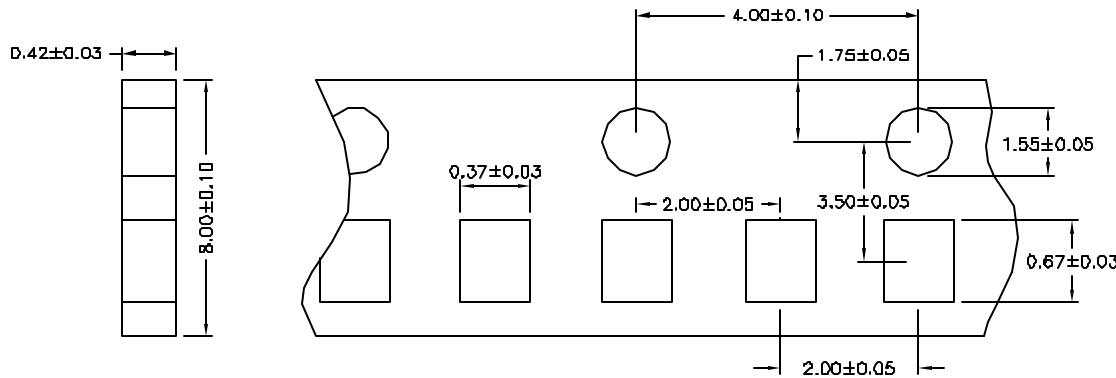


Tape & Reel Dimension



Capacitor Dimension			
L (mm)	W (mm)	T (mm)	M _B
0.6±0.03	0.3±0.03	0.3±0.03	0.15±0.05

NO.	Name	NPO/X7R	X7R/X5R/Y5V
1	Ceramic material	BaTiO ₃ based	
2	Inner electrode	AgPd alloy	Ni
3	Termination	Inner layer	Ag
4		Middle layer	Ni
5		Outer layer	Sn (Matt)



DISCLAIMER:
ALL STATEMENTS AND TECHNICAL INFORMATION CONTAINED HEREIN ARE BASED UPON INFORMATION AND/OR TESTS WE BELIEVE TO BE ACCURATE AND RELIABLE. SINCE CONDITIONS OF USE ARE BEYOND OUR CONTROL, THE USER SHALL DETERMINE THE SUITABILITY OF THE PRODUCT FOR THE INTENDED USE AND ASSUME ALL RISK AND LIABILITY WHATSOEVER IN CONNECTION THEREWITH.

TOLERANCES:
UNLESS OTHERWISE SPECIFIED, DIMENSIONS ARE FOR REFERENCE PURPOSES ONLY.

DRAWN BY:	DATE:
Jason Nash	03/05/09
CHECKED BY:	DATE:
Jeff McVicker	03/05/09
APPROVED BY:	DATE:
Jeff McVicker	03/05/09

DRAWING TITLE: Multilayer Ceramic Capacitors			
SIZE	DWG. NO.	ELECTRONIC FILE	REV
A	Ta-1099	Ta-1099.dwg	A
SCALE: NTS	U.O.M.: INCHES [mm]	SHEET: 1 OF 2	

Manufacturers part number	Sell Unit of Measure	Reel Quantity	Capacitance	Capacitance Tolerance	Dielectric Characteristic	Package/Case	Voltage Rating
MC0201B102K100CT	TC		1000 pF	± 10%	X7R	0201	10 VDC
MC0201B102K100CT	TR	15000	1000 pF	± 10%	X7R	0201	10 VDC
MC0201B152K100CT	TC		1500 pF	± 10%	X7R	0201	10 VDC
MC0201B152K100CT	TR	15000	1500 pF	± 10%	X7R	0201	10 VDC
MC0201B152M100CT	TC		1500 pF	± 20%	X7R	0201	10 VDC
MC0201B222K100CT	TC		2200 pF	± 10%	X7R	0201	10 VDC
MC0201B222K100CT	TR	15000	2200 pF	± 10%	X7R	0201	10 VDC
MC0201B222M100CT	TC		2200 pF	± 20%	X7R	0201	10 VDC
MC0201X103K100CT	TC		0.01 μF	± 10%	X5R	0201	10 VDC
MC0201X103K100CT	TR	15000	0.01 μF	± 10%	X5R	0201	10 VDC
MC0201X103M100CT	TC		0.01 μF	± 20%	X5R	0201	10 VDC
MC0201X332K100CT	TC		3300 pF	± 10%	X5R	0201	10 VDC
MC0201X332K100CT	TR	15000	3300 pF	± 10%	X5R	0201	10 VDC
MC0201X332M100CT	TC		3300 pF	± 20%	X5R	0201	10 VDC
MC0201X332M100CT	TR	15000	3300 pF	± 20%	X5R	0201	10 VDC
MC0201X472K100CT	TC		4700 pF	± 10%	X5R	0201	10 VDC
MC0201X472K100CT	TR	15000	4700 pF	± 10%	X5R	0201	10 VDC
MC0201X472M100CT	TC		4700 pF	± 20%	X5R	0201	10 VDC
MC0201X682K100CT	TC		6800 pF	± 10%	X5R	0201	10 VDC
MC0201X682K100CT	TR	15000	6800 pF	± 10%	X5R	0201	10 VDC
MC0201X682M100CT	TC		6800 pF	± 20%	X5R	0201	10 VDC
MC0201B152K160CT	TC		1500 pF	± 10%	X7R	0201	16 VDC
MC0201B152K160CT	TR	15000	1500 pF	± 10%	X7R	0201	16 VDC
MC0201B152M160CT	TC		1500 pF	± 20%	X7R	0201	16 VDC
MC0201B222K160CT	TC		2200 pF	± 10%	X7R	0201	16 VDC
MC0201B222K160CT	TR	15000	2200 pF	± 10%	X7R	0201	16 VDC
MC0201B222M160CT	TC		2200 pF	± 20%	X7R	0201	16 VDC
MC0201N101J160LT	TC		100 pF	± 5%	NP0	0201	16 VDC
MC0201N101J160LT	TR	15000	100 pF	± 5%	NP0	0201	16 VDC
MC0201N101K160LT	TC		100 pF	± 10%	NP0	0201	16 VDC
MC0201N101K160LT	TR	15000	100 pF	± 10%	NP0	0201	16 VDC
MC0201N560J160LT	TC		56 pF	± 5%	NP0	0201	16 VDC
MC0201N560J160LT	TR	15000	56 pF	± 5%	NP0	0201	16 VDC
MC0201N560K160LT	TC		56 pF	± 10%	NP0	0201	16 VDC
MC0201N680J160LT	TC		68 pF	± 5%	NP0	0201	16 VDC
MC0201N680J160LT	TR	15000	68 pF	± 5%	NP0	0201	16 VDC
MC0201N680K160LT	TC		68 pF	± 10%	NP0	0201	16 VDC
MC0201N820J160LT	TC		82 pF	± 5%	NP0	0201	16 VDC
MC0201N820J160LT	TR	15000	82 pF	± 5%	NP0	0201	16 VDC
MC0201N820K160LT	TC		82 pF	± 10%	NP0	0201	16 VDC
MC0201B102K250CT	TC		1000 pF	± 10%	X7R	0201	25 VDC
MC0201B102K250CT	TR	15000	1000 pF	± 10%	X7R	0201	25 VDC
MC0201B102M250CT	TC		1000 pF	± 20%	X7R	0201	25 VDC
MC0201B151K250CT	TC		150 pF	± 10%	X7R	0201	25 VDC
MC0201B151K250CT	TR	15000	150 pF	± 10%	X7R	0201	25 VDC
MC0201B151M250CT	TC		150 pF	± 20%	X7R	0201	25 VDC
MC0201B221K250CT	TC		220 pF	± 10%	X7R	0201	25 VDC

Manufacturers part number	Sell Unit of Measure	Reel Quantity	Capacitance	Capacitance Tolerance	Dielectric Characteristic	Package/Case	Voltage Rating
MC0201B331K250CT	TC		330 pF	± 10%	X7R	0201	25 VDC
MC0201B331K250CT	TR	15000	330 pF	± 10%	X7R	0201	25 VDC
MC0201B331M250CT	TC		330 pF	± 20%	X7R	0201	25 VDC
MC0201B471K250CT	TR	15000	470 pF	± 10%	X7R	0201	25 VDC
MC0201B471K250CT	TC		470 pF	± 10%	X7R	0201	25 VDC
MC0201B471M250CT	TC		470 pF	± 20%	X7R	0201	25 VDC
MC0201B681K250CT	TC		680 pF	± 10%	X7R	0201	25 VDC
MC0201B681K250CT	TR	15000	680 pF	± 10%	X7R	0201	25 VDC
MC0201B681M250CT	TC		680 pF	± 20%	X7R	0201	25 VDC
MC0201N0R5C250LT	TC		0.5 pF	± 0.25pF	NP0	0201	25 VDC
MC0201N0R5C250LT	TR	15000	0.5 pF	± 0.25pF	NP0	0201	25 VDC
MC0201N100F250LT	TC		10 pF	± 1%	NP0	0201	25 VDC
MC0201N120J250LT	TC		12 pF	± 5%	NP0	0201	25 VDC
MC0201N120J250LT	TR	15000	12 pF	± 5%	NP0	0201	25 VDC
MC0201N120K250LT	TC		12 pF	± 10%	NP0	0201	25 VDC
MC0201N150J250LT	TC		15 pF	± 5%	NP0	0201	25 VDC
MC0201N150J250LT	TR	15000	15 pF	± 5%	NP0	0201	25 VDC
MC0201N150K250LT	TC		15 pF	± 10%	NP0	0201	25 VDC
MC0201N180J250LT	TC		18 pF	± 5%	NP0	0201	25 VDC
MC0201N180J250LT	TR	15000	18 pF	± 5%	NP0	0201	25 VDC
MC0201N180K250LT	TC		18 pF	± 10%	NP0	0201	25 VDC
MC0201N1ROC250LT	TC		1 pF	± 0.25pF	NP0	0201	25 VDC
MC0201N1ROC250LT	TR	15000	1 pF	± 0.25pF	NP0	0201	25 VDC
MC0201N1ROD250LT	TC		1 pF	± 0.5pF	NP0	0201	25 VDC
MC0201N1R5C250LT	TR	15000	1.5 pF	± 0.25pF	NP0	0201	25 VDC
MC0201N1R5C250LT	TC		1.5 pF	± 0.25pF	NP0	0201	25 VDC
MC0201N1R5D250LT	TC		1.5 pF	± 0.5pF	NP0	0201	25 VDC
MC0201N220J250LT	TC		22 pF	± 5%	NP0	0201	25 VDC
MC0201N220J250LT	TR	15000	22 pF	± 5%	NP0	0201	25 VDC
MC0201N220K250LT	TC		22 pF	± 10%	NP0	0201	25 VDC
MC0201N270J250LT	TC		27 pF	± 5%	NP0	0201	25 VDC
MC0201N270J250LT	TR	15000	27 pF	± 5%	NP0	0201	25 VDC
MC0201N270K250LT	TC		27 pF	± 10%	NP0	0201	25 VDC
MC0201N330J250LT	TC		33 pF	± 5%	NP0	0201	25 VDC
MC0201N330J250LT	TR	15000	33 pF	± 5%	NP0	0201	25 VDC
MC0201N330K250LT	TC		33 pF	± 10%	NP0	0201	25 VDC
MC0201X103K6R3CT	TC		0.01 μF	± 10%	X5R	0201	6.3 VDC
MC0201X103K6R3CT	TR	15000	0.01 μF	± 10%	X5R	0201	6.3 VDC
MC0201X153K6R3CT	TC		0.15 μF	± 10%	X5R	0201	6.3 VDC
MC0201X153M6R3CT	TC		0.15 μF	± 20%	X5R	0201	6.3 VDC
MC0201X223K6R3CT	TC		0.022 μF	± 10%	X5R	0201	6.3 VDC
MC0201X223M6R3CT	TC		0.022 μF	± 20%	X5R	0201	6.3 VDC
MC0201X333K6R3CT	TC		0.033 μF	± 10%	X5R	0201	6.3 VDC
MC0201X333M6R3CT	TC		0.033 μF	± 20%	X5R	0201	6.3 VDC
MC0201X473K6R3CT	TC		0.047 μF	± 10%	X5R	0201	6.3 VDC
MC0201X473M6R3CT	TC		0.047 μF	± 20%	X5R	0201	6.3 VDC
MC0201X683K6R3CT	TC		0.068 μF	± 10%	X5R	0201	6.3 VDC
MC0201X683M6R3CT	TC		0.068 μF	± 20%	X5R	0201	6.3 VDC

ALL RIGHTS RESERVED. NO PORTION OF THIS PUBLICATION, WHETHER IN WHOLE OR IN PART CAN BE REPRODUCED WITHOUT THE EXPRESS WRITTEN CONSENT OF SPC TECHNOLOGY.

SIZE
A

DWG. NO.

Ta-1099

ELECTRONIC FILE

Ta-1099.DWG

REV

A