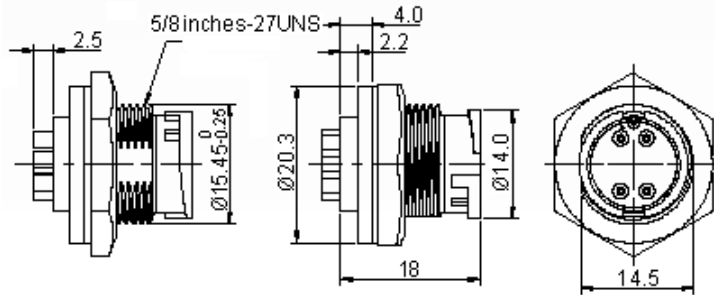


Waterproof Circular Connectors

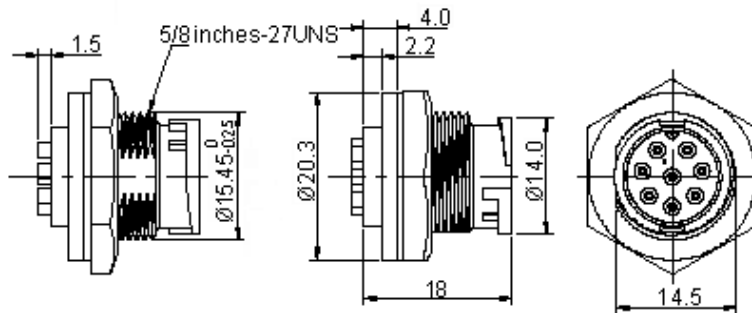


Panel, Male, Solder Type - 2A



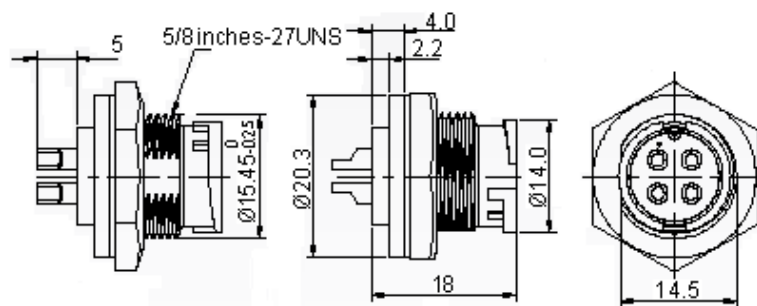
Dimensions : Millimetres

Panel, Male, Solder Type - 5A



Dimensions : Millimetres

Panel, Male, Solder Type - 10A



Dimensions : Millimetres

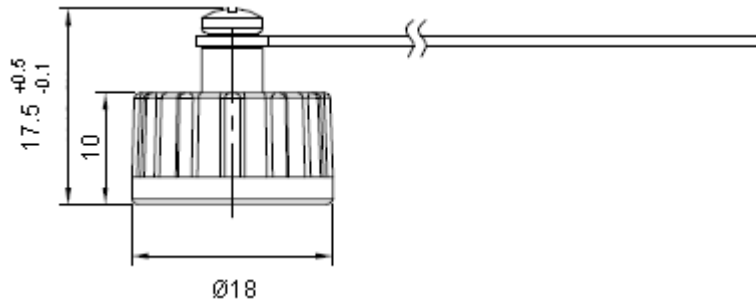
Connector Type

Current Rating	Contact	IP Rating
2A	10	IP 67
	12	
5A	4	
	5	
	6	
	7	
	8	
10A	2	
	3	
	4	

Waterproof Circular Connectors



Panel Waterproof Cap

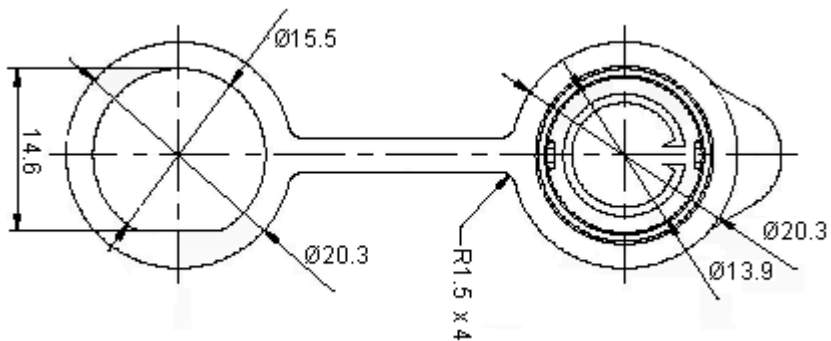


Dimensions : Millimetres

Connector Type

Current Rating	Contact	IP Rating
-	-	IP67

Panel Dust Cap



Dimensions : Millimetres

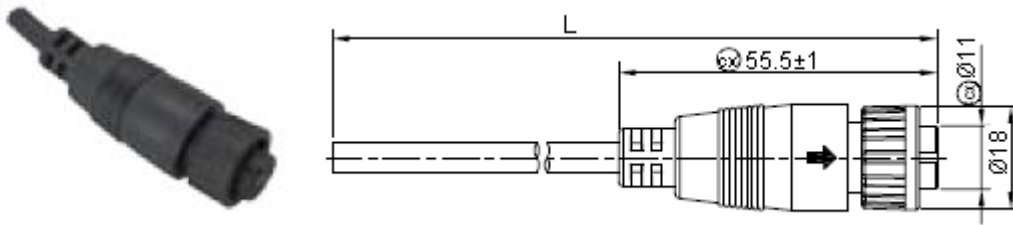
Connector Type

Current Rating	Contact	IP Rating
-	-	IP67

Waterproof Circular Connectors

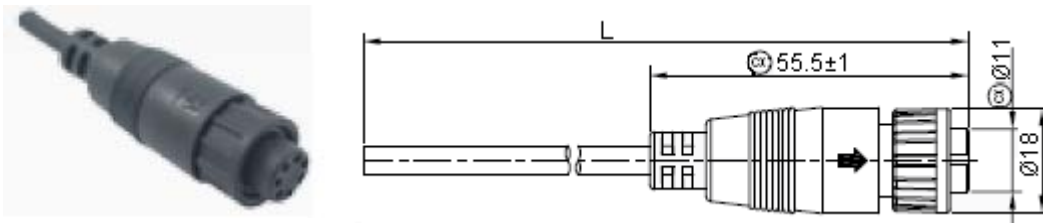


Female Straight Plug, Molding Type - 2A



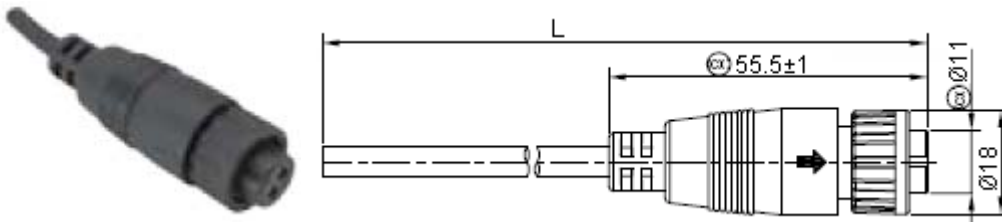
Dimensions : Millimetres

Female Straight Plug, Molding Type - 5A



Dimensions : Millimetres

Female Straight Plug, Molding Type - 10A



Dimensions : Millimetres

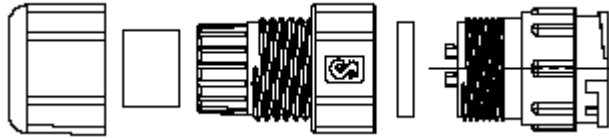
Connector Type

Current Rating	Contact	IP Rating
2A	10	IP 67
	12	
5A	4	
	5	
	6	
	7	
	8	
10A	2	
	3	
	4	

Waterproof Circular Connectors

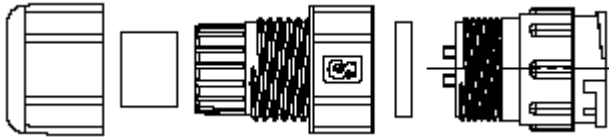


Female Plug, Assembly Type - 2A



Dimensions : Millimetres

Male Plug, Assembly Type - 5A



Dimensions : Millimetres

Male Plug, Assembly Type - 10A



Dimensions : Millimetres

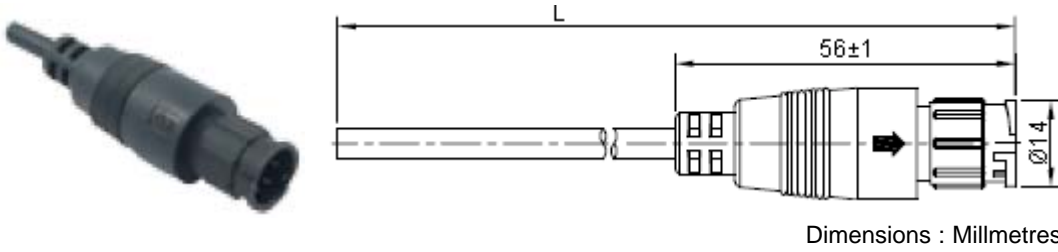
Connector Type

Current Rating	Contact	IP Rating
2A	10	IP 67
	12	
5A	4	
	5	
	6	
	7	
	8	
	8	
10A	2	
	3	
	4	

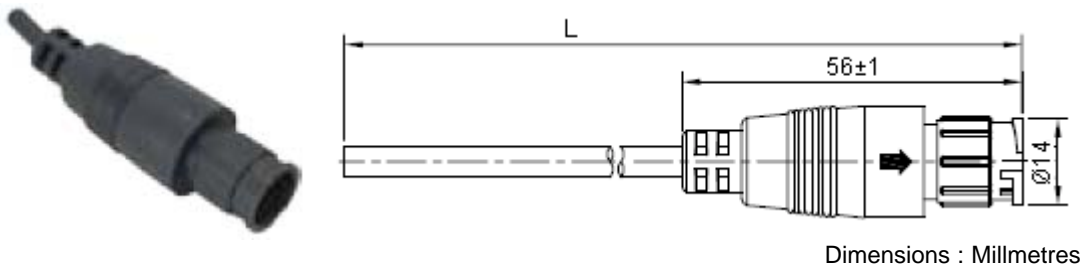
Waterproof Circular Connectors



Male Straight Plug, Molding Type - 5A



Male Straight Plug, Molding Type - 10A



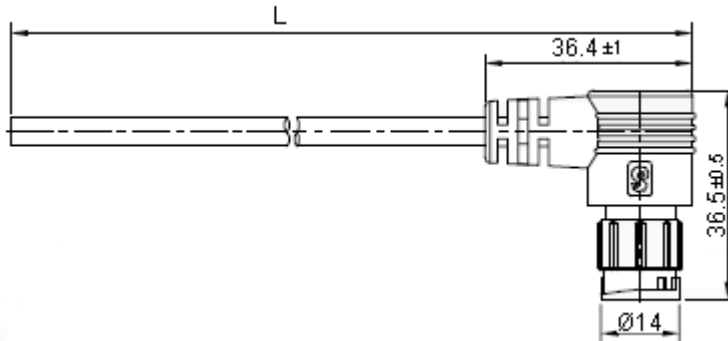
Connector Type

Current Rating	Contact	IP Rating
5A	4	IP67
	5	
	6	
	7	
10A	8	
	2	
	3	
	4	

Waterproof Circular Connectors

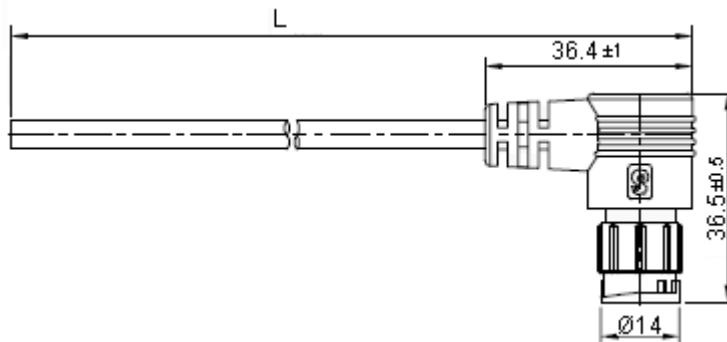


Male R/A Plug, Molding Type - 5A



Dimensions : Millimetres

Male R/A Plug, Molding Type - 10A



Dimensions : Millimetres

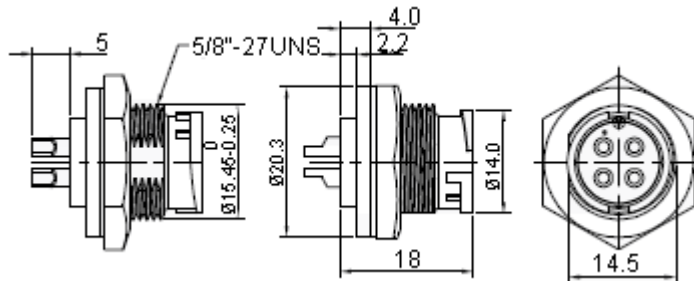
Connector Type

Current Rating	Contact	IP Rating
5A	4	IP67
	5	
	6	
	7	
	8	
10A	2	
	3	
	4	

Waterproof Circular Connectors



Panel, Male, Solder Type - 10A

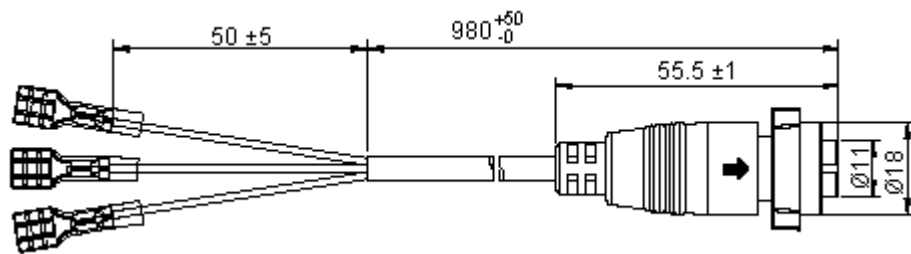


Dimensions : Millimetres

Connector Type

Current Rating	Contact	IP Rating
10A	3	IP67

Female Straight Plug, Molding Type - 10A

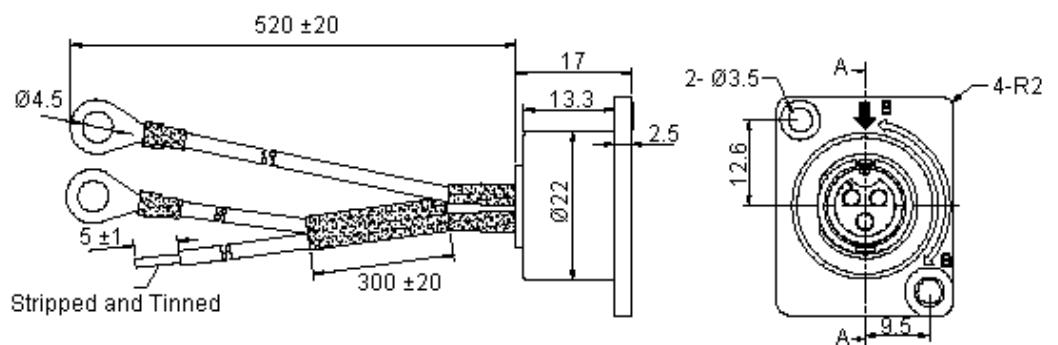


Dimensions : Millimetres

Connector Type

Current Rating	Contact	IP Rating
10A	3	IP65

Panel, Female, Solder Type - 10A



Dimensions : Millimetres

Connector Type

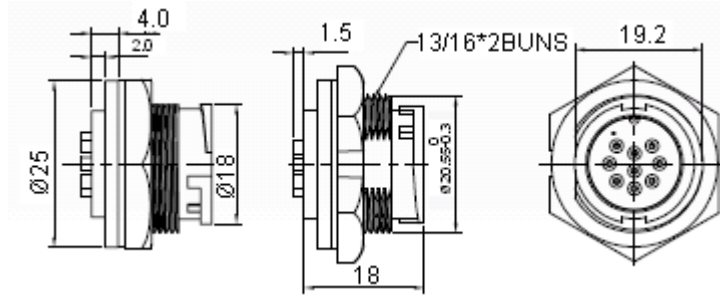
Current Rating	Contact	IP Rating
10A	3	IP67



Waterproof Circular Connectors

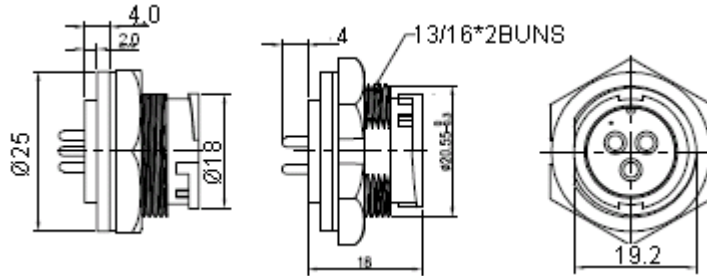


Panel, Male, Solder Type - 5A



Dimensions : Millimetres

Panel, Male, Solder Type - 16A



Dimensions : Millimetres

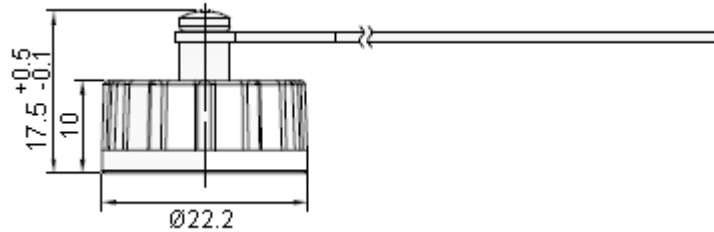
Connector Type

Current Rating	Contact	IP Rating
5A	7	IP67
	8	
	9	
16A	3	

Waterproof Circular Connectors



Panel Waterproof Cap

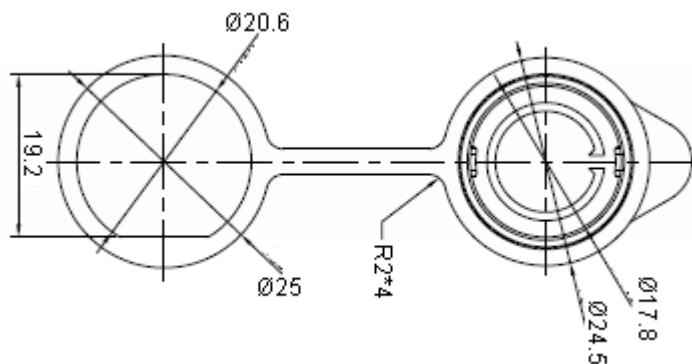


Dimensions : Millimetres

Connector Type

Current Rating	Contact	IP Rating
-	-	IP67

Panel Dust Cap



Dimensions : Millimetres

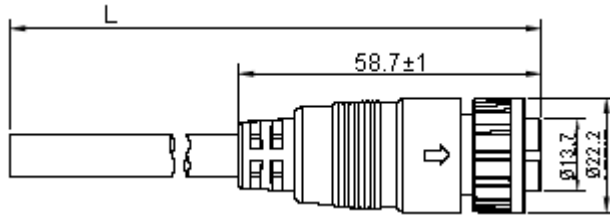
Connector Type

Current Rating	Contact	IP Rating
-	-	IP67

Waterproof Circular Connectors

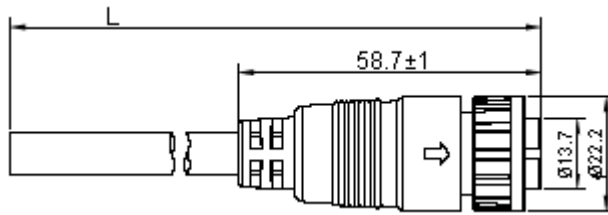


Female Straight Plug, Molding Type - 5A



Dimensions : Millimetres

Female Plug, Assembly Type - 16A



Dimensions : Millimetres

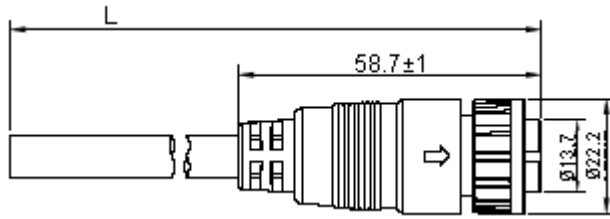
Connector Type

Current Rating	Contact	IP Rating
5A	7	IP67
	8	
	9	
16A	3	

Waterproof Circular Connectors

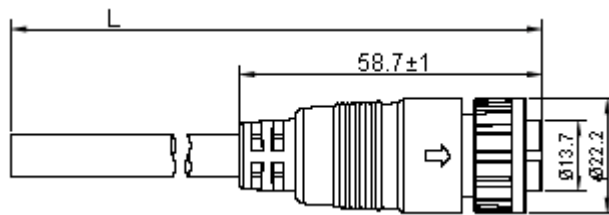


Female Straight Plug, Molding Type - 16A



Dimensions : Millmetres

Male Straight Plug, Molding Type - 5A



Dimensions : Millmetres

Connector Type

Current Rating	Contact	IP Rating
5A	7	IP67
	8	
	9	
16A	3	

Waterproof Circular Connectors



Specifications	Standard Value
Description	Panel Mount, Molded with Cable, Assembly Type
Current Rating	Standard size : 2A, 5A, 10A Middle size : 5A, 10A, 16A
Pin Configuration	Standard size : 2 to 8, 10, 12 contacts Middle size : 3 to 9 contacts
Material	Contact : Copper Alloy, Gold Plated Connector Body : Nylon + GF, PBT
Temperature Range	Cable : -20°C to + 80°C Connector Body : -40°C to 105°C
IP Rating	IP67 and IP68
Contact Resistance	≤10mΩ
Insulation Resistance	≥100MΩ at DC 500V
Durability	500 cycles Minimum
Breakdown Voltage	≥AC 500V/1 Minute
Corrosion	48 Hours Salt Spray Contact

Part Number Table

Description	Part Number
PLUG, PANEL, 2A, 10 WAY, IP67	2CT3002-W10200
PLUG, PANEL, 2A, 12 WAY, IP67	2CT3002-W12200
PLUG, PANEL, 5A, 4 WAY, IP67	2CT3002-W04300
PLUG, PANEL, 5A, 5 WAY, IP67	2CT3002-W05300
PLUG, PANEL, 5A, 6 WAY, IP67	2CT3002-W06300
PLUG, PANEL, 5A, 7 WAY, IP67	2CT3002-W07300
PLUG, PANEL, 5A, 8 WAY, IP67	2CT3002-W08300
PLUG, PANEL, 10A, 2 WAY, IP67	2CT3002-W02400
PLUG, PANEL, 10A, 3 WAY, IP67	2CT3002-W03400
PLUG, PANEL, 10A, 4 WAY, IP67	2CT3002-W04400
DUST CAP, FOR PANEL PLUG, SCREW	2CT3000-W0000W
DUST CAP, FOR PANEL PLUG, SNAP-IN	2CT3000-W0000D
CABLE ASSY, SKT-FREE END, 10WAY, 1M	2CT3004-W10200
CABLE ASSY, SKT-FREE END, 12WAY, 1M	2CT3004-W12200
CABLE ASSY, SKT-FREE END, 4WAY, 1M	2CT3004-W04300
CABLE ASSY, SKT-FREE END, 5WAY, 1M	2CT3004-W05300
CABLE ASSY, SKT-FREE END, 6WAY, 1M	2CT3004-W06300
CABLE ASSY, SKT-FREE END, 7WAY, 1M	2CT3004-W07300
CABLE ASSY, SKT-FREE END, 8WAY, 1M	2CT3004-W08300

<http://www.farnell.com>
<http://www.newark.com>
<http://www.cpc.co.uk>



Part Number Table

Description	Part Number
CABLE ASSY, SKT-FREE END, 2WAY, 1M	2CT3004-W02400
CABLE ASSY, SKT-FREE END, 3WAY, 1M	2CT3004-W03400
CABLE ASSY, SKT-FREE END, 4WAY, 1M	2CT3004-W04400
CABLE ASSY, SKT-FREE, R/A,10WAY, 1M	2CT3010-W10200
CABLE ASSY, SKT-FREE, R/A,12WAY, 1M	2CT3010-W12200
CABLE ASSY, SKT-FREE, R/A,4WAY, 1M	2CT3010-W04300
CABLE ASSY, SKT-FREE, R/A,5WAY, 1M	2CT3010-W05300
CABLE ASSY, SKT-FREE, R/A,6WAY, 1M	2CT3010-W06300
CABLE ASSY, SKT-FREE, R/A,7WAY, 1M	2CT3010-W07300
CABLE ASSY, SKT-FREE, R/A,8WAY, 1M	2CT3010-W08300
CABLE ASSY, SKT-FREE, R/A,2WAY, 1M	2CT3010-W02400
CABLE ASSY, SKT-FREE, R/A,3WAY, 1M	2CT3010-W03400
CABLE ASSY, SKT-FREE, R/A,4WAY, 1M	2CT3010-W04400
CABLE ASSY, PLUG-FREE END, 4WAY, 1M	2CT3024-W04300
CABLE ASSY, PLUG-FREE END, 5WAY, 1M	2CT3024-W05300
CABLE ASSY, PLUG-FREE END, 6WAY, 1M	2CT3024-W06300
CABLE ASSY, PLUG-FREE END, 7WAY, 1M	2CT3024-W07300
CABLE ASSY, PLUG-FREE END, 8WAY, 1M	2CT3024-W08300
CABLE ASSY, PLUG-FREE END, 2WAY, 1M	2CT3024-W02400
CABLE ASSY, PLUG-FREE END, 3WAY, 1M	2CT3024-W03400
CABLE ASSY, PLUG-FREE END, 4WAY, 1M	2CT3024-W04400
CABLE ASSY, PLUG-FREE, R/A, 4WAY, 1M	2CT3028-W04300
CABLE ASSY, PLUG-FREE, R/A, 5WAY, 1M	2CT3028-W05300
CABLE ASSY, PLUG-FREE, R/A, 6WAY, 1M	2CT3028-W06300
CABLE ASSY, PLUG-FREE, R/A, 7WAY, 1M	2CT3028-W07300
CABLE ASSY, PLUG-FREE, R/A, 8WAY, 1M	2CT3028-W08300
CABLE ASSY, PLUG-FREE, R/A, 2WAY, 1M	2CT3028-W02400
CABLE ASSY, PLUG-FREE, R/A, 3WAY, 1M	2CT3028-W03400
CABLE ASSY, PLUG-FREE, R/A, 4WAY, 1M	2CT3028-W04400

Waterproof Circular Connectors



Part Number Table

Description	Part Number
SOCKET, PANEL, 10A, 3 WAY, IP67	2CT3014-W03400
SOCKET, SQ. PANEL, 10A, 3 WAY, IP55	2CT3020-W034A1
CABLE ASSY, PLUG-FREE END, 3WAY, 1M	2CT3016-W03402
PLUG, PANEL, 5A, 7 WAY, IP67	2CM3002-W07300
PLUG, PANEL, 5A, 8 WAY, IP67	2CM3002-W08300
PLUG, PANEL, 5A, 9 WAY, IP67	2CM3002-W09300
PLUG, PANEL, 16A, 3 WAY, IP67	2CM3002-W03600
DUST CAP, FOR PANEL PLUG, SCREW	2CM3000-W0000W
DUST CAP, FOR PANEL PLUG, SNAP-IN	2CM3000-W0000D
CABLE ASSY, SKT-FREE END, 7WAY, 1M	2CM3004-W07300
CABLE ASSY, SKT-FREE END, 8WAY, 1M	2CM3004-W08300
CABLE ASSY, SKT-FREE END, 9WAY, 1M	2CM3004-W09300
CABLE ASSY, SKT-FREE END, 3WAY, 1M	2CM3004-W03600
CABLE ASSY, PLUG-FREE END, 3WAY, 1M	2CM3016-W03601
CABLE ASSY, PLUG-FREE END, 7WAY, 1M	2CM3024-W07300
CABLE ASSY, PLUG-FREE END, 8WAY, 1M	2CM3024-W08300
CABLE ASSY, PLUG-FREE END, 9WAY, 1M	2CM3024-W09300

Disclaimer This data sheet and its contents (the "Information") belong to the Premier Farnell Group (the "Group") or are licensed to it. No licence is granted for the use of it other than for information purposes in connection with the products to which it relates. No licence of any intellectual property rights is granted. The Information is subject to change without notice and replaces all data sheets previously supplied. The Information supplied is believed to be accurate but the Group assumes no responsibility for its accuracy or completeness, any error in or omission from it or for any use made of it. Users of this data sheet should check for themselves the Information and the suitability of the products for their purpose and not make any assumptions based on information included or omitted. Liability for loss or damage resulting from any reliance on the Information or use of it (including liability resulting from negligence or where the Group was aware of the possibility of such loss or damage arising) is excluded. This will not operate to limit or restrict the Group's liability for death or personal injury resulting from its negligence. SPC Multicomp is the registered trademark of the Group. © Premier Farnell plc 2011.

<http://www.farnell.com>
<http://www.newark.com>
<http://www.cpc.co.uk>

