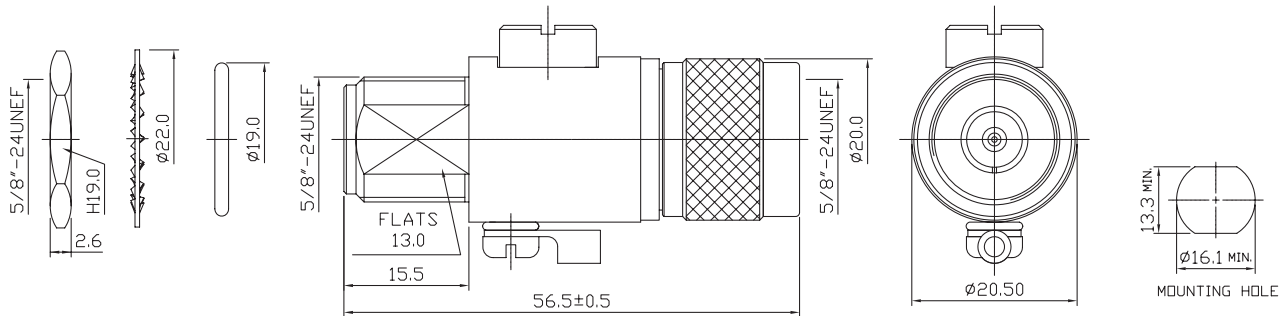


Lightning Surge Protector In-Line N Type



RoHS
Compliant



Dimensions : Millimetres

No.	Description	Material	Finish
1.	Nut	Brass	Nickel
2.	Washer		
3.	Gasket	Silicone	None
4.	Body A	Brass	Nickel
5.	Center Contact A		Gold
6.	Insulator A	PTFE	None
7.	Gas Tube	None	
8.	Spring	Stainless Steel	
9.	Chassis	Brass	Nickel
10.	O-Ring	Silicone	Red
11.	Nut	Brass	Nickel

No.	Description	Material	Finish
12.	Gasket	Silicone	None
13.	Center Contact B	Brass	Gold
14.	Insulator B	PTFE	None
15.	Washer	Brass	
16.	Body B		Nickel
17.	Gasket	Silicone	None
18.	Chassis	Brass	Nickel
19.	Shell		
20.	Washer	Stainless Steel	None
21.	Terminal	Brass	Tin
22.	Screw	Iron	Nickel

Notes:

Impedance: 50Ω

Frequency: DC ~ 6 Ghz.

Vswr: 1.5 Max.

Gas tube DC spark over voltage: 90V

Gas tube impulse discharge current (Wave 8/20μS)

10 time (5 time each polarity): 10kA

Part Number Table

Description	Part Number
Lightning Surge Protector In-Line N Type	MC001786

Important Notice : This data sheet and its contents (the "Information") belong to the members of the Premier Farnell group of companies (the "Group") or are licensed to it. No licence is granted for the use of it other than for information purposes in connection with the products to which it relates. No licence of any intellectual property rights is granted. The Information is subject to change without notice and replaces all data sheets previously supplied. The Information supplied is believed to be accurate but the Group assumes no responsibility for its accuracy or completeness, any error in or omission from it or for any use made of it. Users of this data sheet should check for themselves the Information and the suitability of the products for their purpose and not make any assumptions based on information included or omitted. Liability for loss or damage resulting from any reliance on the Information or use of it (including liability resulting from negligence or where the Group was aware of the possibility of such loss or damage arising) is excluded. This will not operate to limit or restrict the Group's liability for death or personal injury resulting from its negligence. Multicomp is the registered trademark of the Group. © Premier Farnell Limited 2016.

www.element14.com
www.farnell.com
www.newark.com

