



Characteristics:

Motor Design	: Reliable Shaded-Pole Motor Construction
Insulation Resistance	: 500M Ω Min. at 500V DC
Dielectric Strength	: 1,500V AC for one second
Motor Protection	: Impedance protected
Noise Level	: Measured in a semi-anechoic chamber with background noise level below 15dB(A). The fan is running in free air with the microphone at a distance of one meter from the fan intake
Tolerance	: \pm 15% on rated power and current
Air Performance	: Measured by a double chamber. The values are recorded when the fan speed has stabilized at rated voltage

Specifications:

Rated Voltage	: 220 - 240V AC 50/60Hz
Operating Voltage Range	: 185 - 245V AC
Starting Voltage	: 185V AC (25°C Power On/Off)
Rated Speed	: 2,150 / 2,500RPM \pm 10%
Air Delivery	: 66/80CFM
Static Pressure	: 0.14/0.17 Inch-H ₂ O
Rated Current	: 0.09/0.09A
Safety Current	: 0.1/0.09A
Rated Power	: 18/16.5W
Noise Level	: 44/48dB(A)
Direction of Rotation	: Counter-clockwise viewed from front of fan blade
Operating Temperature	: -10°C to +70°C
Storage Temperature	: -40°C to +70°C
Bearing System	: Precision ball bearing system
Weight	: 295g
Safety	: UL/CUR/TUV/CE Approvals
Dimensions	: 120mm \times 120mm \times 25mm
Protection	: Automatic Restart Capability

Note: In a situation where the fan is locked by an external force while the electricity is on, an increase in coil temperature will be prevented by temporarily turning off the electrical power to the motor. The fan will automatically restart when the locked rotor condition is released.

Polarity Protection

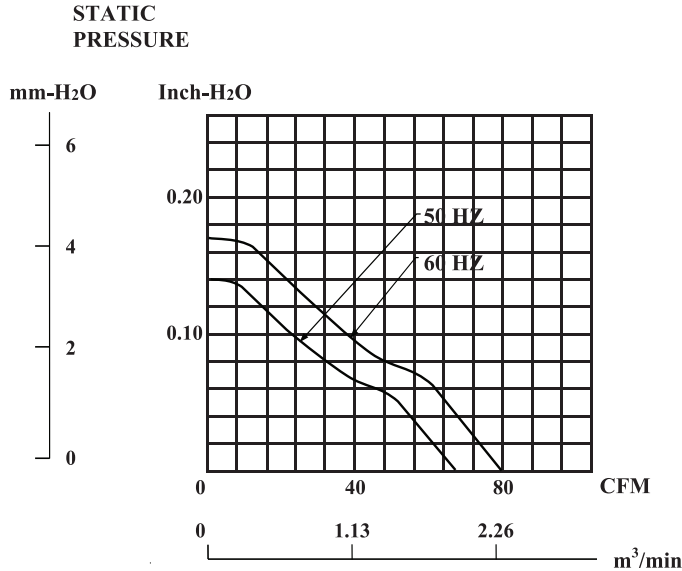
Material:

Frame	: Die-Cast Aluminum
Impeller	: Thermoplastic PBT of UL 94V-0

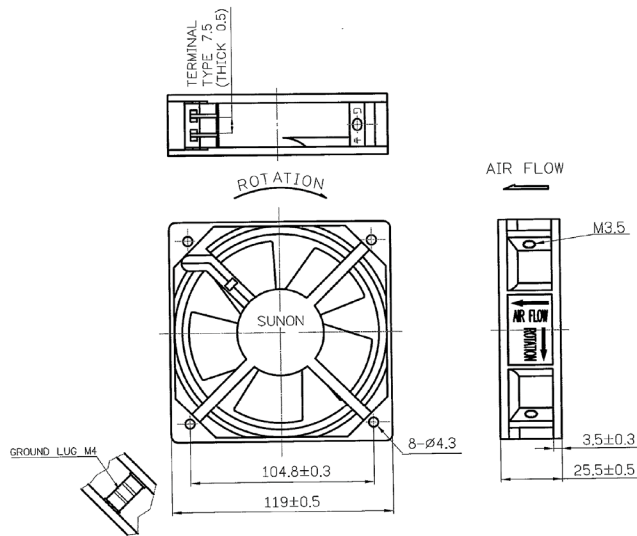
Axial AC Fan



Performance Curves:



Dimensions:



Dimensions : Millimetres

1. Air Flow Direction: Toward label side.
2. Best Mounting Direction: Any orientation.

Part Number Table

Description	Part Number
Axial AC Fan	MC19676

Important Notice : This data sheet and its contents (the "Information") belong to the members of the Premier Farnell group of companies (the "Group") or are licensed to it. No licence is granted for the use of it other than for information purposes in connection with the products to which it relates. No licence of any intellectual property rights is granted. The Information is subject to change without notice and replaces all data sheets previously supplied. The Information supplied is believed to be accurate but the Group assumes no responsibility for its accuracy or completeness, any error in or omission from it or for any use made of it. Users of this data sheet should check for themselves the Information and the suitability of the products for their purpose and not make any assumptions based on information included or omitted. Liability for loss or damage resulting from any reliance on the Information or use of it (including liability resulting from negligence or where the Group was aware of the possibility of such loss or damage arising) is excluded. This will not operate to limit or restrict the Group's liability for death or personal injury resulting from its negligence. Multicomp is the registered trademark of the Group. © Premier Farnell plc 2012.