



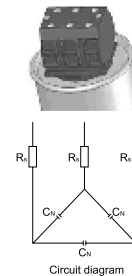
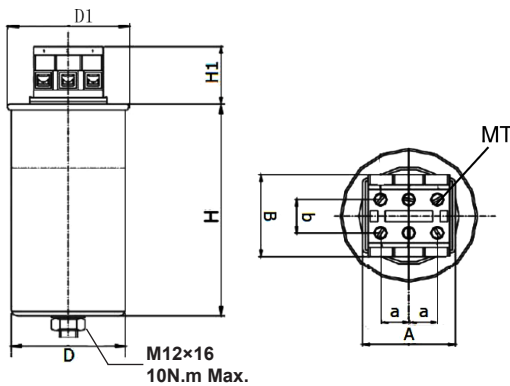
## Features

- Self-healing
- Metallized polypropylene film construction
- Anti-explosion design overpressure tear-off fuses more safety
- Suitable for power factor correction and LCL Filter

## Specifications

Reference Standard	: GB/T17702 (IEC 61071)
Operating Temperature Range	: -40°C to +70°C
Rated Voltage Urms	: 640VAC, 750VAC
Rated Frequency	: 50/60Hz
Capacitance Tolerance	: ±5%(J)
Capacitance Internal Connection	: Connect Triangle

## Dimensions



a ±0.5	b ±0.5	A ±1	B ±1	H1 ±2	MT
15mm	19.4mm	43.5mm	44.5mm	35mm	M5

Part Number	C <sub>N</sub> (μF)	D ±1 (mm)	D <sub>1</sub> MAX (mm)	H ±3 (mm)	R <sub>s</sub> (mΩ)	L <sub>s</sub> (nH)	R <sub>th</sub> (°C/W)	I <sub>MAX</sub> (A)	I <sub>h</sub> (kA)	I <sub>s</sub> (kA)	M (kg)
<b>Urms = 640V AC</b>											
MPPT-466J45W86EA	3×46	86	91	164	3×2	100	4.1	3×50	1.3	3.9	-
<b>Urms = 750V AC</b>											
MPPT-236J53W76EA	3×23	76	81	164	3×3	100	4.7	3×30	0.8	2.4	1.8

## Part Number Table

Description	Part Number
AC Filter Film Capacitor, 3-Phase, 3×23μF, 750V AC	MPPT-236J53W76EA
AC Filter Film Capacitor, 3-Phase, 3×46μF, 640V AC	MPPT-466J45W86EA

**Important Notice :** This data sheet and its contents (the "Information") belong to the members of the AVNET group of companies (the "Group") or are licensed to it. No licence is granted for the use of it other than for information purposes in connection with the products to which it relates. No licence of any intellectual property rights is granted. The Information is subject to change without notice and replaces all data sheets previously supplied. The Information supplied is believed to be accurate but the Group assumes no responsibility for its accuracy or completeness, any error in or omission from it or for any use made of it. Users of this data sheet should check for themselves the Information and the suitability of the products for their purpose and not make any assumptions based on information included or omitted. Liability for loss or damage resulting from any reliance on the Information or use of it (including liability resulting from negligence or where the Group was aware of the possibility of such loss or damage arising) is excluded. This will not operate to limit or restrict the Group's liability for death or personal injury resulting from its negligence. Multicomp Pro is the registered trademark of Premier Farnell Limited 2019.