

Power Cord with Locking System



- | Locking system for standardized IEC C14 inlet
- | No accidental disconnection
- | Rated current up to 10 A (C13 plug)
- | Fits any Schaffner IEC C14 inlet filter
- | Retrofit for any IEC C14 inlet
- | Various power line plugs for international usage



Approvals



ROHS

The locking system has a tensile force of typical 200N. It is recommended to use it with flange mount filters. For details refer to our Application Note "Using IEC Lock Power Cords with IEC Inlets and Filters"

Technical specifications

Maximum continuous operating voltage	250 VAC, 50/60 Hz
Rated currents	10A
High potential test voltage	P-> PE 2000 VAC (1min 50 Hz) P -> N 2000 VAC (1min 50 Hz)
Protection category	IP20 according IEC 60529
Temperature range (operation and storage)	-25 °C to +70 °C
Cable	EU: type H05-VV-F; US type SJT or SVT; JP: type HVCTF; black Other colors on request
Connector (load side)	IEC C13 according to IEC/EN 60320-2-2 with IEC Lock UL 498, CSA C22.2 no. 42 (for cold conditions) pin temperature 70 °C, 10 A, Protection Class I
Connector (line side)	IEC C14 according to IEC/EN 60320-2-2; EU Schuko plug CEE7/VII; UK plug BS1363; US NEMA5-15 plug standard or hospital grade (UL817); CH plug SEV 1011; JP plug JIS8303 Other plugs on request
Flammability corresponding to	Plugs: UL94 V-2 or better; Cable: IEC 60332-1 Cat. F2

Schaffner power cords with IEC lock guard against accidental disconnection of all electrical appliances with an IEC inlet. No exchange or modification of the IEC inlet or IEC inlet filter system is needed. Easy retrofit for all electronic equipments and devices.

Features and benefits

- | Power cord with locking system for IEC inlets
- | Protection class I
- | Suitable for use with any C14 IEC inlet
- | Fits the complete Schaffner IEC inlet filter program with C14 IEC inlet
- | Max. pin temperature 70 °C

Typical applications

- | Data centers
- | Industrial equipment
- | Medical devices
- | In-vitro diagnostic devices
- | Broadcasting stations
- | Mobile applications

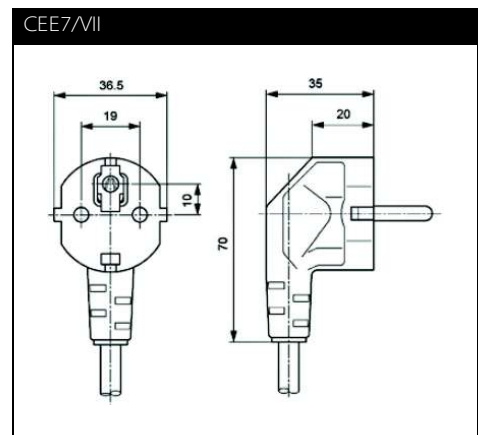
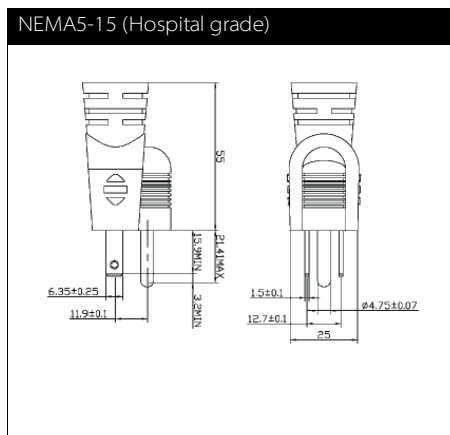
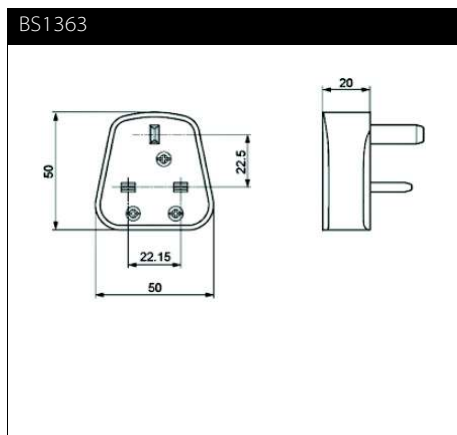
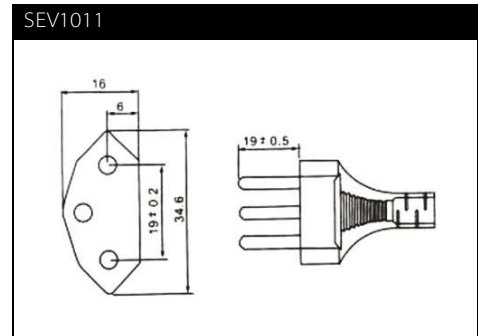
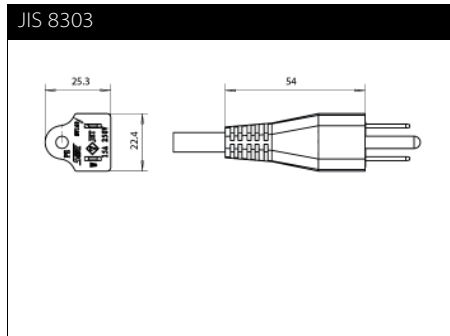
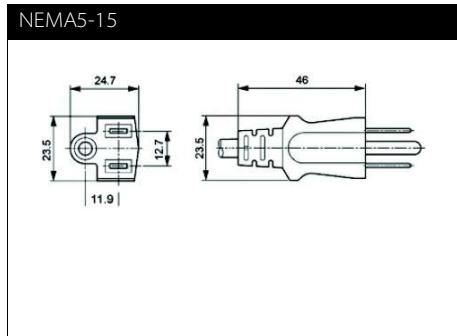
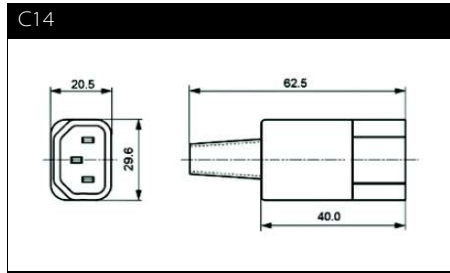
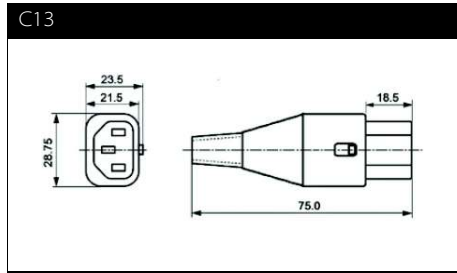
Cable selection table

IL13-C14-H05-3100-200	IEC cable assembly with locking system for IEC C14 inlet, EU version
IL13-C14-SVT-3100-183	IEC cable assembly with locking system for IEC C14 inlet, US version
IL13-EU1-H05-3100-200	IEC cable assembly with locking system for IEC C14 inlet, EU version
IL13-US1-SVT-3100-183	IEC cable assembly with locking system for IEC C14 inlet, US version
IL13-US2-SJT-3100-...*	IEC cable assembly with locking system for IEC C14 inlet, US version, hospital grade
IL13-UK1-H05-3100-200	IEC cable assembly with locking system for IEC C14 inlet, UK version
IL13-CH1-H05-3100-200	IEC cable assembly with locking system for IEC C14 inlet, CH version
IL13-JP1-HVCTF-3125-200	IEC cable assembly with locking system for IEC C14 inlet, JP version
IL13-SE-H05-3100-200	IEC cable assembly with locking system for IEC C14 inlet, stripped ends

* To compile a complete part number, please replace the ... with the required length. This power cord is with 6ft. (-183) 9ft. (-275) and 12ft. (-366) deliverable.

Product selector		
IL13-yyy-zzz-aaaa-bbb		
183		cable length 183 cm (6ft), (only US versions)
200		cable length 200 cm (6ft 7in)
3100		3 x 1.0 mm ² (US: AWG18)
3125		3 x 1.25 mm ² (only Japan version)
H05		cable type H05VV-F
SVT		cable type SVT
SJT		cable type SJT
HVCTF		cable type HVCTF
C14		line side plug IEC C14 male, straight
EU1		line side plug CEE7/VII, right angled
US1		line side plug NEMA5-15, straight
US2		line side plug NEMA5-15, straight, hospital grade according UL817
UK1		line side plug BS1363, right angled, fused 5A
CH1		line side plug SEV1011, straight
JP1		line side plug JIS8303, straight
SE		line side with stripped ends
IL13		load side IEC C13 female plug, straight, lock

Mechanical data



Please visit www.schaffner.com to find more details on filter connectors.



Headquarters, global innovation and development center

Switzerland

Schaffner Group

Nordstrasse 11
4542 Luterbach
T +41 32 6816 626
F +41 32 6816 630
info@schaffner.com
<http://www.schaffner.com>



Sales and application centers

China

Schaffner EMC Ltd. Shanghai

T20-3, No 565 Chuangye Road
Pudong New Area
201201 Shanghai
T +86 21 3813 9500
F +86 21 3813 9501 / 02
cschina@schaffner.com
<http://www.schaffner.com.cn/>

Finland

Schaffner Oy

Sauvonrinne 19 H
08500 Lohja
T +358 19 35 72 71
finlandsales@schaffner.com

France

Schaffner EMC S.A.S.

112, Quai de Bezons
Boîte postale 133
95103 Argenteuil
T +33 1 34 34 30 60
F +33 1 39 47 02 28
francesales@schaffner.com

Germany

Schaffner Deutschland GmbH

Schoemperlenstrasse 12B
76185 Karlsruhe
T +49 721 56910
F +49 721 569110
germanysales@schaffner.com

Italy

Schaffner EMC S.r.l.

Via Galileo Galilei 47
20092 Cinisello Balsamo (MI)
T +39 02 66 04 30 45/47
F +39 02 61 23 943
italysales@schaffner.com

Japan

Schaffner EMC K.K.

1-32-12, Kamiyama, Setagaya-ku
7F Mitsui-seimei Sangenjaya Bldg.
154-0011 Tokyo
T +81 3 5712 3650
F +81 3 5712 3651
japansales@schaffner.com
<http://www.schaffner.jp>

Singapore

Schaffner EMC Pte Ltd.

Blk 3015A Ubi Road 1
05-09 Kampong Ubi Industrial Estate
408705 Singapore
T +65 6377 3283
F +65 6377 3281
singaporesales@schaffner.com

Spain

Schaffner EMC España

Calle Caléndula 93
Miniparc III, Edificio E
El Soto de la Moraleja
Alcobendas
28109 Madrid
T +34 618 176 133
spainsales@schaffner.com

Sweden

Schaffner EMC AB

Turebergstorg 1, 6
19147 Sollentuna
T +46 8 5792 1121 / 22
F +46 8 92 96 90
swedensales@schaffner.com

Switzerland

Schaffner EMV AG

Nordstrasse 11
4542 Luterbach
T +41 32 6816 626
F +41 32 6816 641
sales@schaffner.ch

Taiwan R.O.C.

Schaffner EMV Ltd.

6 Floor, No. 413
Rui Guang Road
114 Neihu District Taipei City
T +886 2 87525050
F +886 2 87518086
taiwansales@schaffner.com

Thailand

Schaffner EMC Co. Ltd.

Northern Region Industrial Estate
67 Moo 4 Tambon Ban Klang
Amphur Muang P.O. Box 14
51000 Lamphun
T +66 53 58 11 04
F +66 53 58 10 19
thailandsales@schaffner.com

UK

Schaffner Ltd.

5 Ashville Way
Molly Millars Lane
Wokingham
RG41 2PL Berkshire
T +44 118 9770070
F +44 118 9792969
uksales@schaffner.com
<http://www.schaffner.uk.com>

USA

Schaffner EMC Inc.

52 Mayfield Avenue
08837 Edison, New Jersey
T +1 800 367 5566
T +1 732 225 9533
F +1 732 225 4789
usasales@schaffner.com
<http://www.schaffner.com/us>

Schaffner MTC LLC

6722 Thirlane Road
24019 Roanoke, Virginia
T +1 276 228 7943
F +1 276 228 7953
<http://www.schaffner-mtc.com>

Schaffner Trencos LLC

2550 Brookpark Road
44134 Cleveland, Ohio
T +1 216 741 5282
F +1 216 741 4860
www.schaffner-trencos.com

To find your local partner within Schaffner's global network: www.schaffner.com

© 2014 Schaffner Group

The content of this document has been carefully checked and understood. However, neither Schaffner nor its subsidiaries assume any liability whatsoever for any errors or inaccuracies of this document and the consequences thereof. Published specifications are subject to change without notice. Product suitability for any area of application must ultimately be determined by the customer. In all cases, products must never be operated outside their published specifications. Schaffner does not guarantee the availability of all published products. This disclaimer shall be governed by substantive Swiss law and resulting disputes shall be settled by the courts at the place of business of Schaffner Holding AG. Latest publications and a complete disclaimer can be downloaded from the Schaffner website. All trademarks recognized.